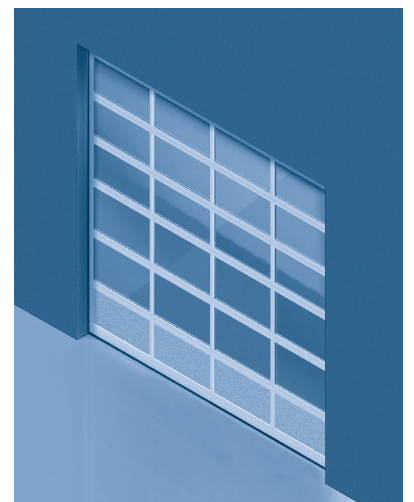
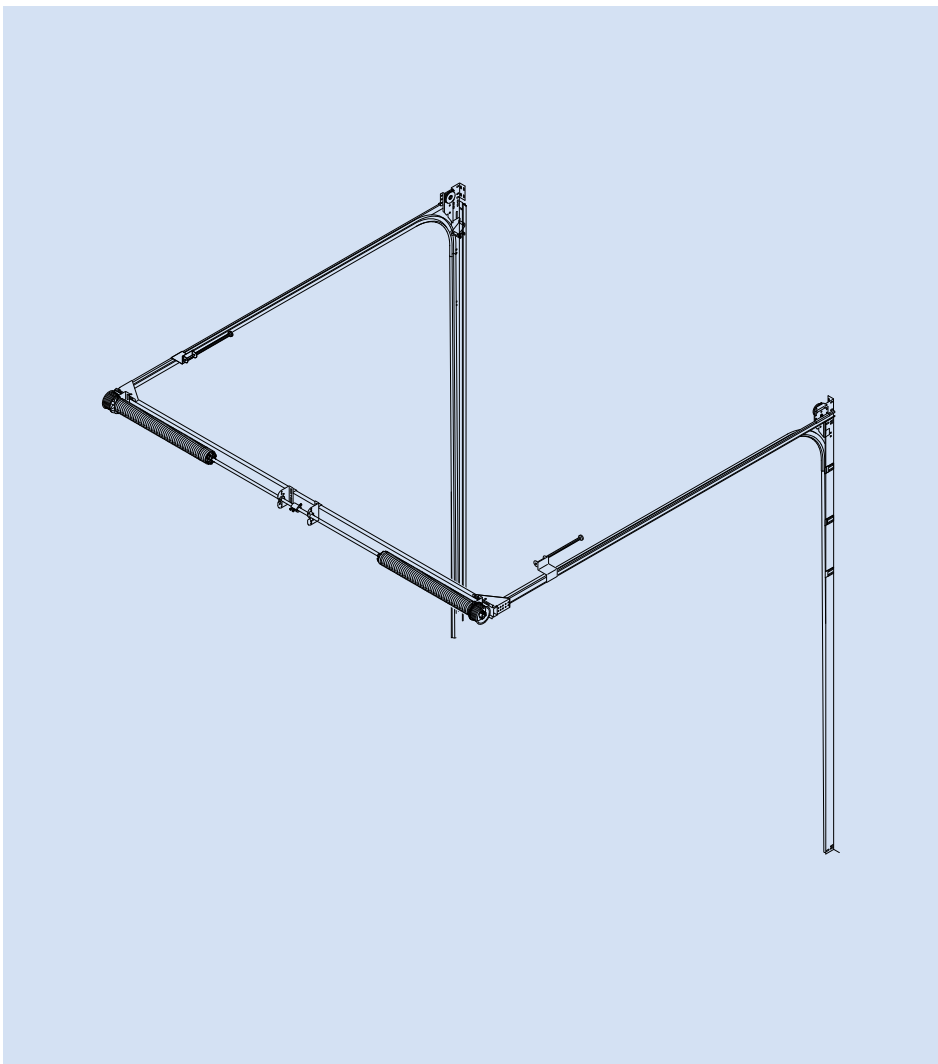
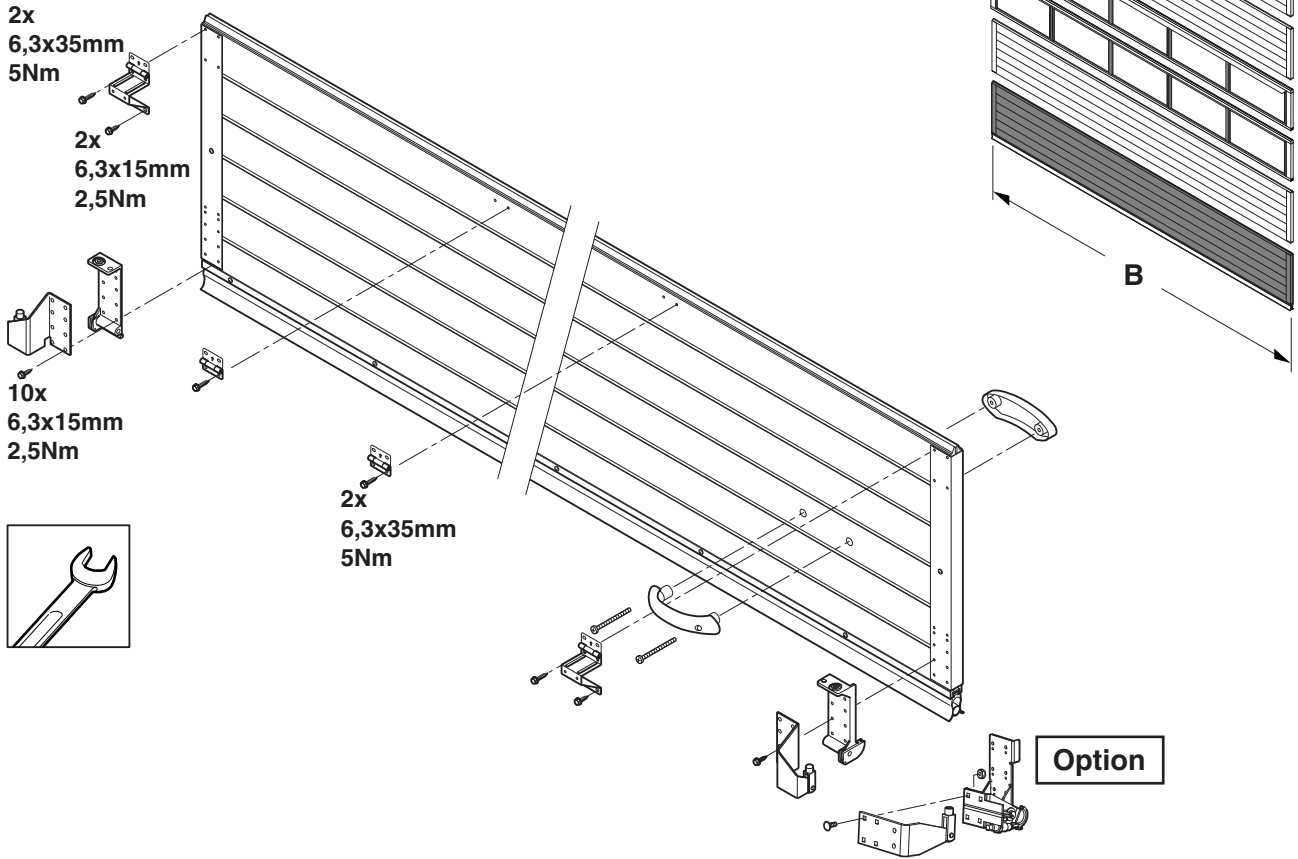


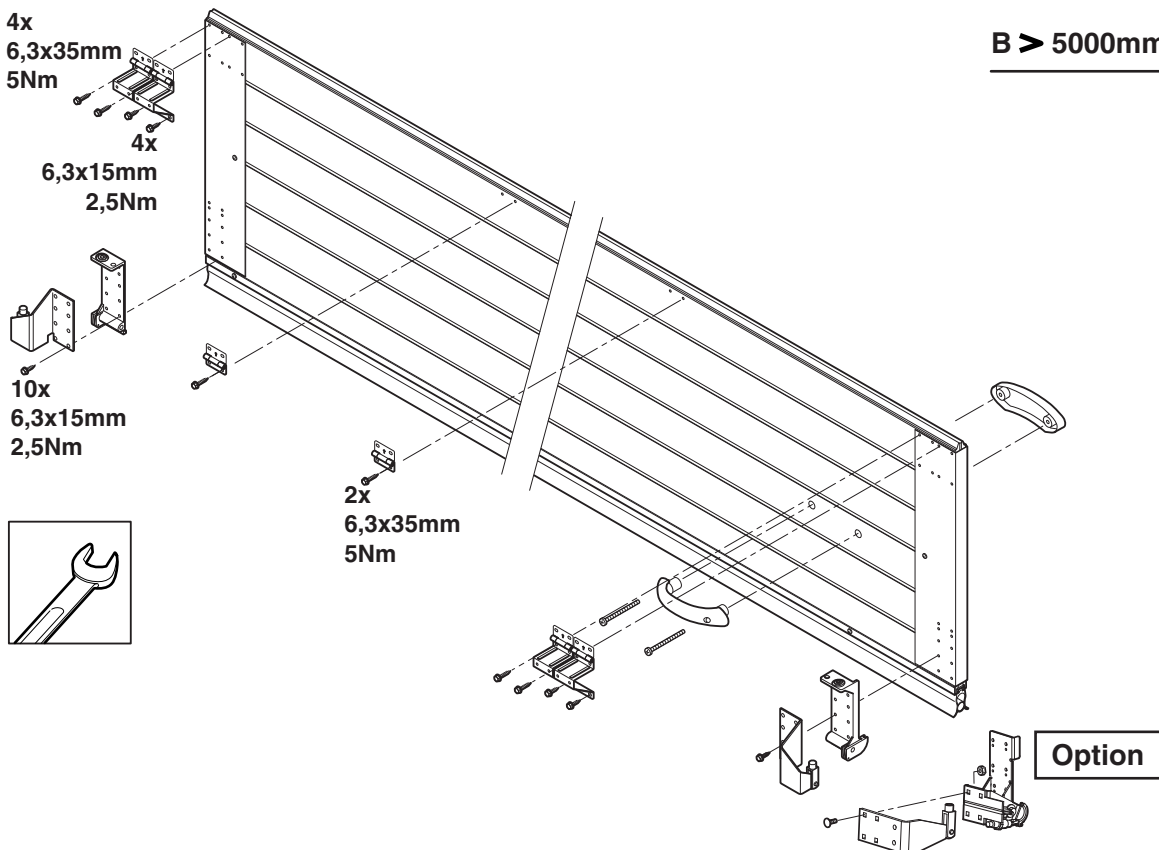
T 200



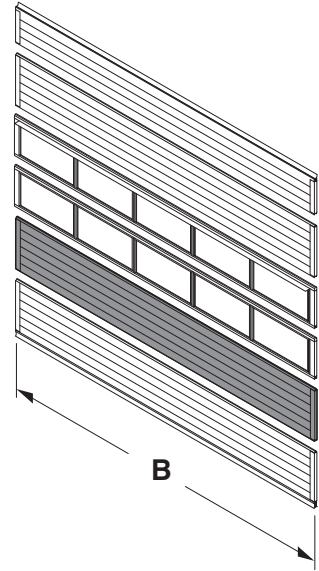
B < 5000mm



B > 5000mm

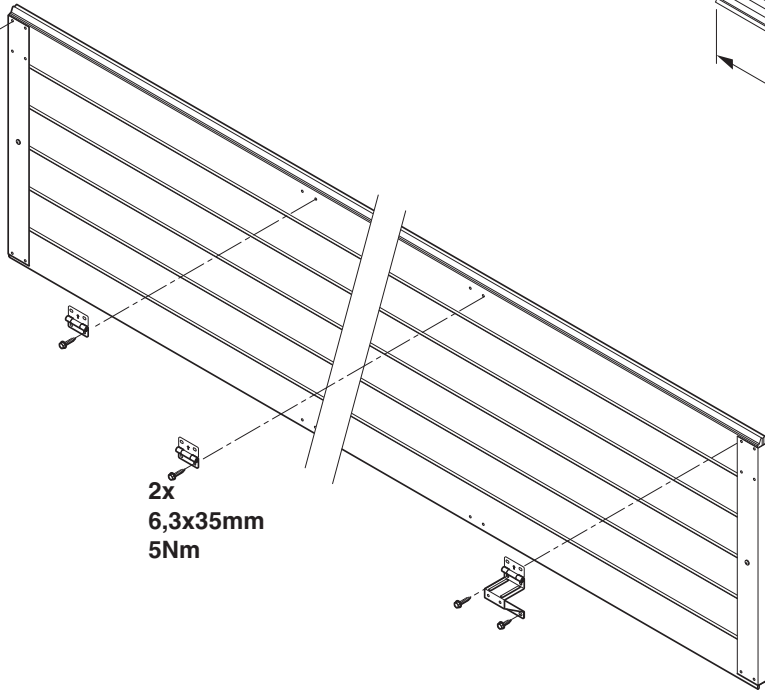
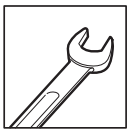


B < 5000mm



2x
6,3x35mm
5Nm

2x
6,3x15mm
2,5Nm

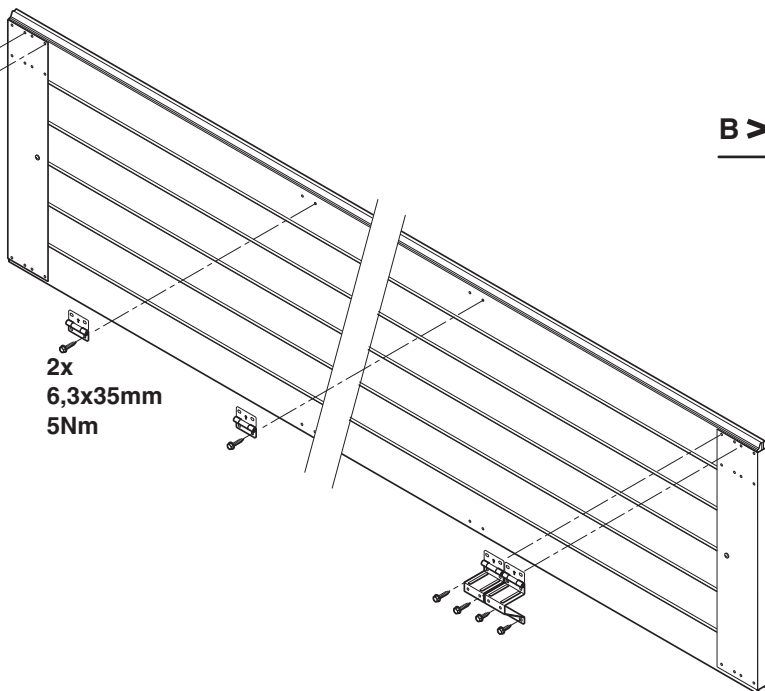
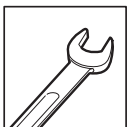


2x
6,3x35mm
5Nm

B > 5000mm

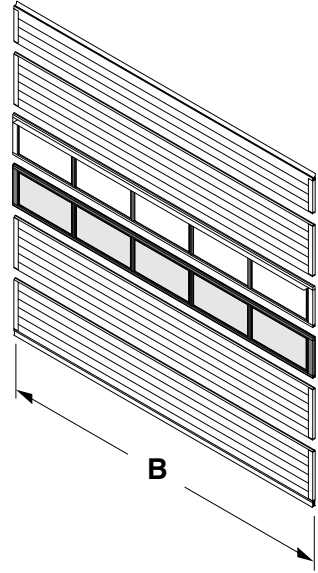
4x
6,3x35mm
5Nm

4x
6,3x15mm
2,5Nm



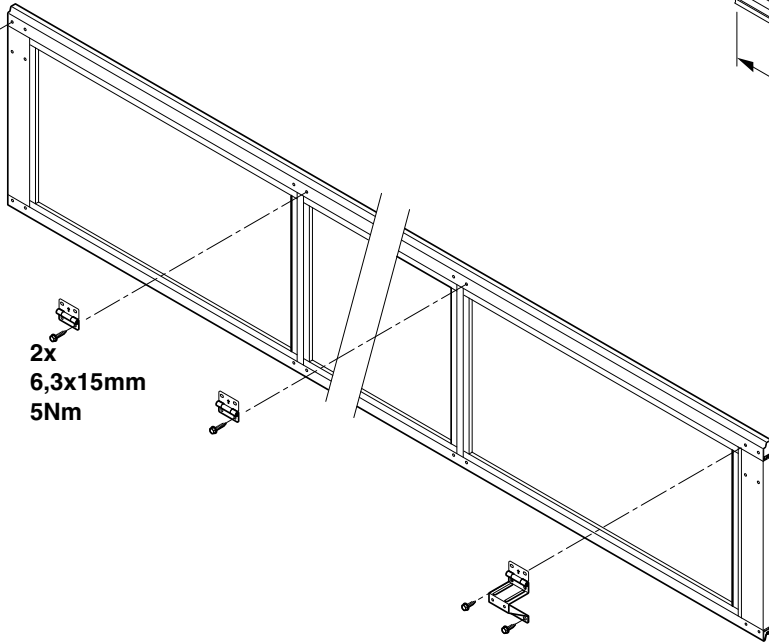
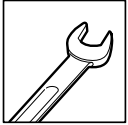
2x
6,3x35mm
5Nm

B < 5000mm



4x
6,3x15mm
2,5Nm

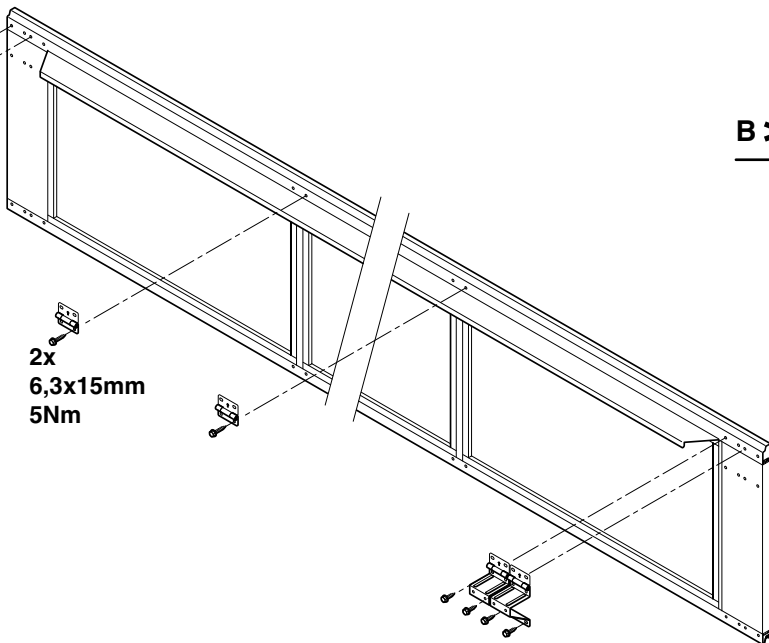
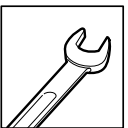
2x
6,3x15mm
5Nm



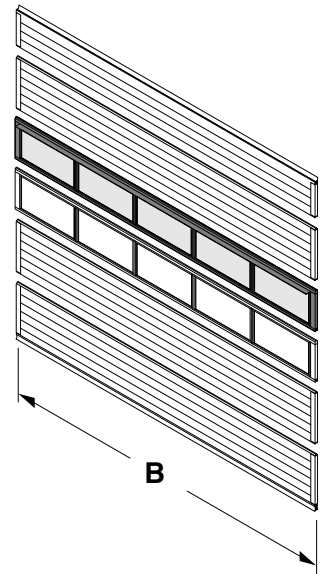
B > 5000mm

8x
6,3x15mm
2,5Nm

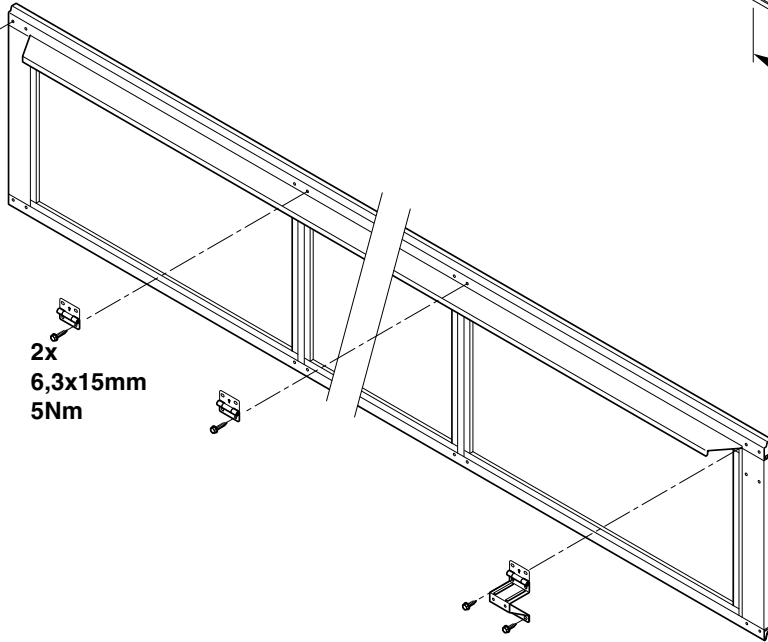
2x
6,3x15mm
5Nm



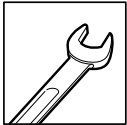
B < 5000mm



4x
6,3x15mm
2,5Nm

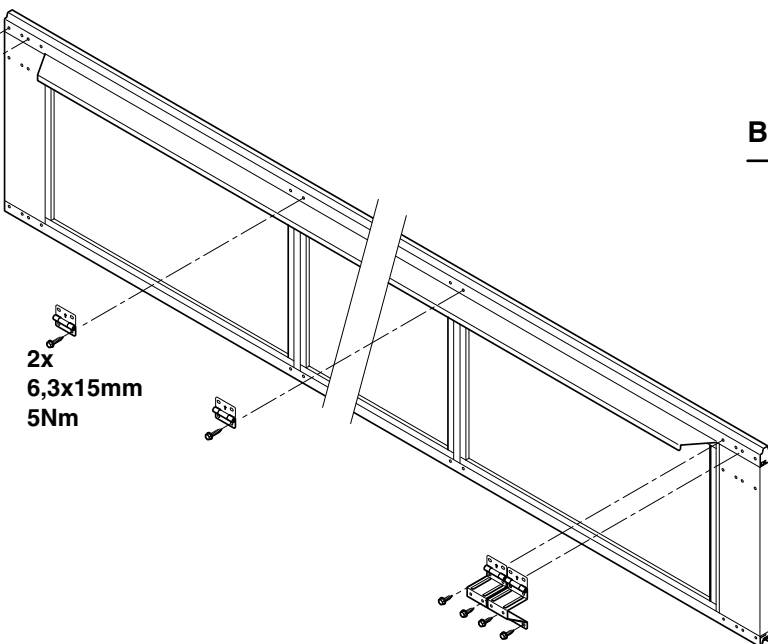


2x
6,3x15mm
5Nm

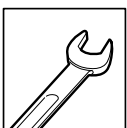


B > 5000mm

8x
6,3x15mm
2,5Nm

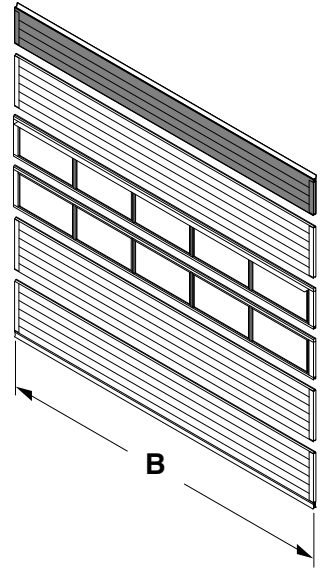
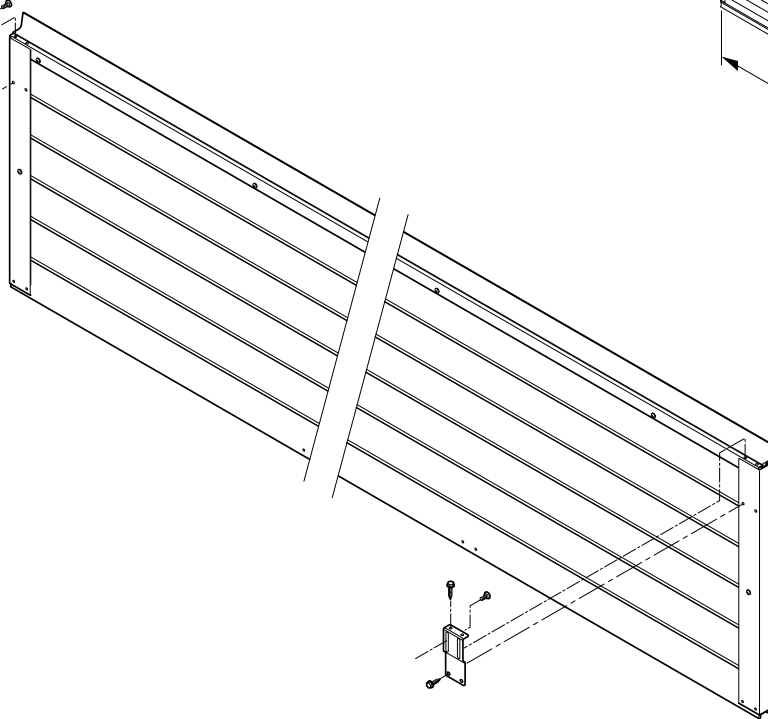
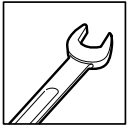


2x
6,3x15mm
5Nm



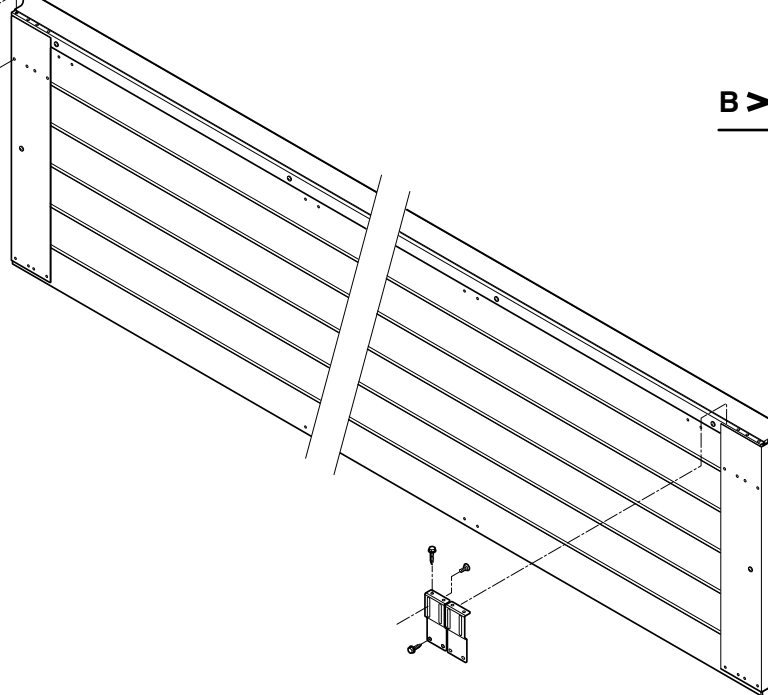
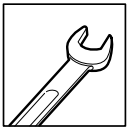
B < 5000mm

2x
M8x15mm
2x
6,3x35mm
5Nm
2x
6,3x15mm
2,5Nm

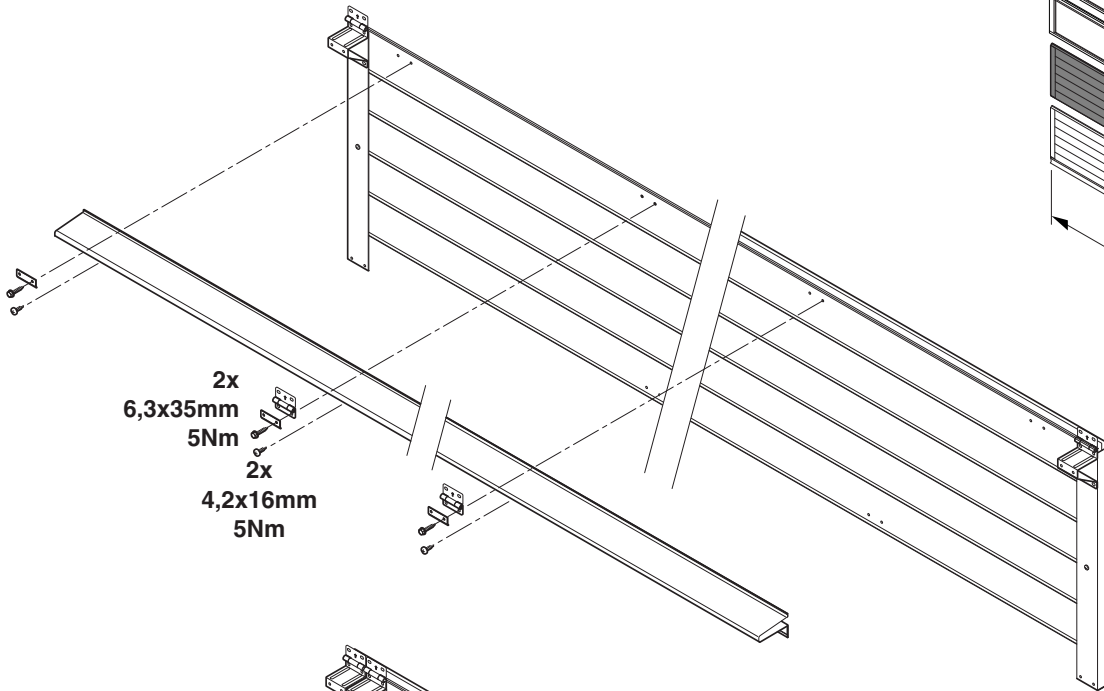
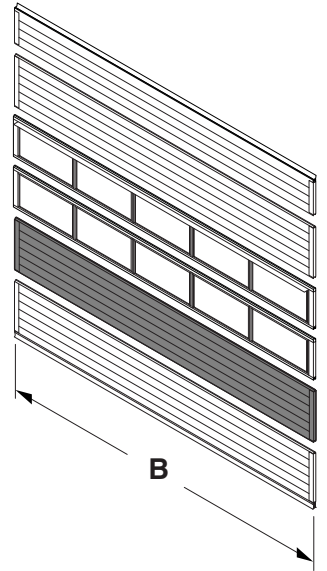


B > 5000mm

4x
M8x15mm
4x
6,3x35mm
5Nm
4x
6,3x15mm
2,5Nm

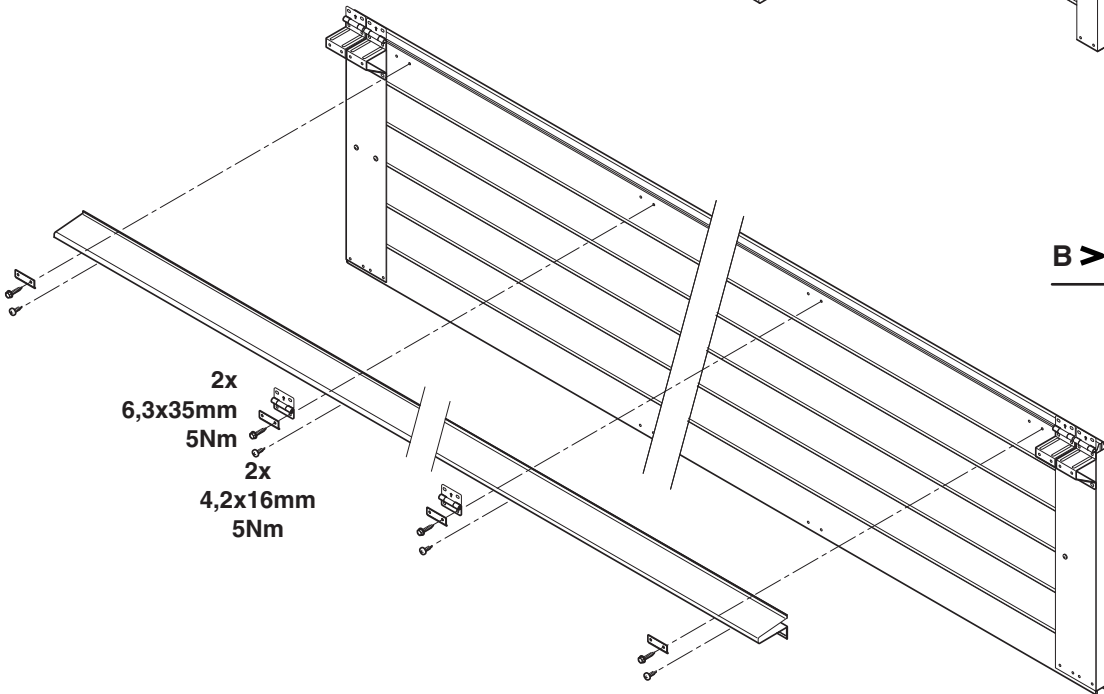


B < 5000mm

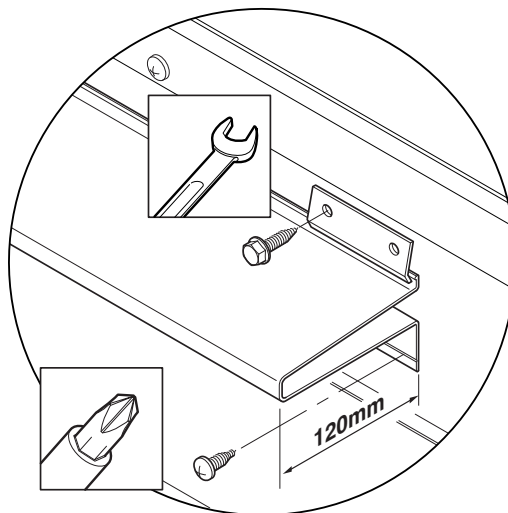
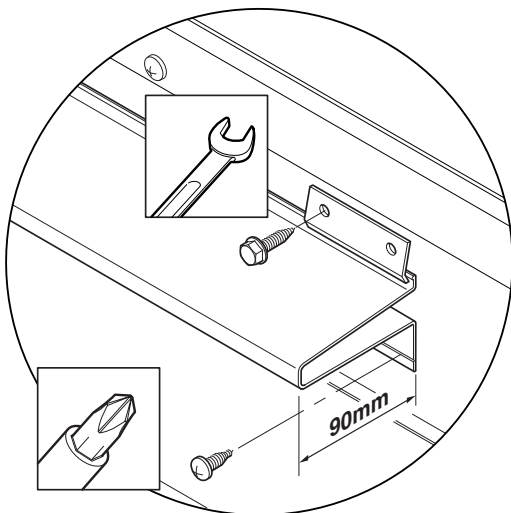


2x
6,3x35mm
5Nm
2x
4,2x16mm
5Nm

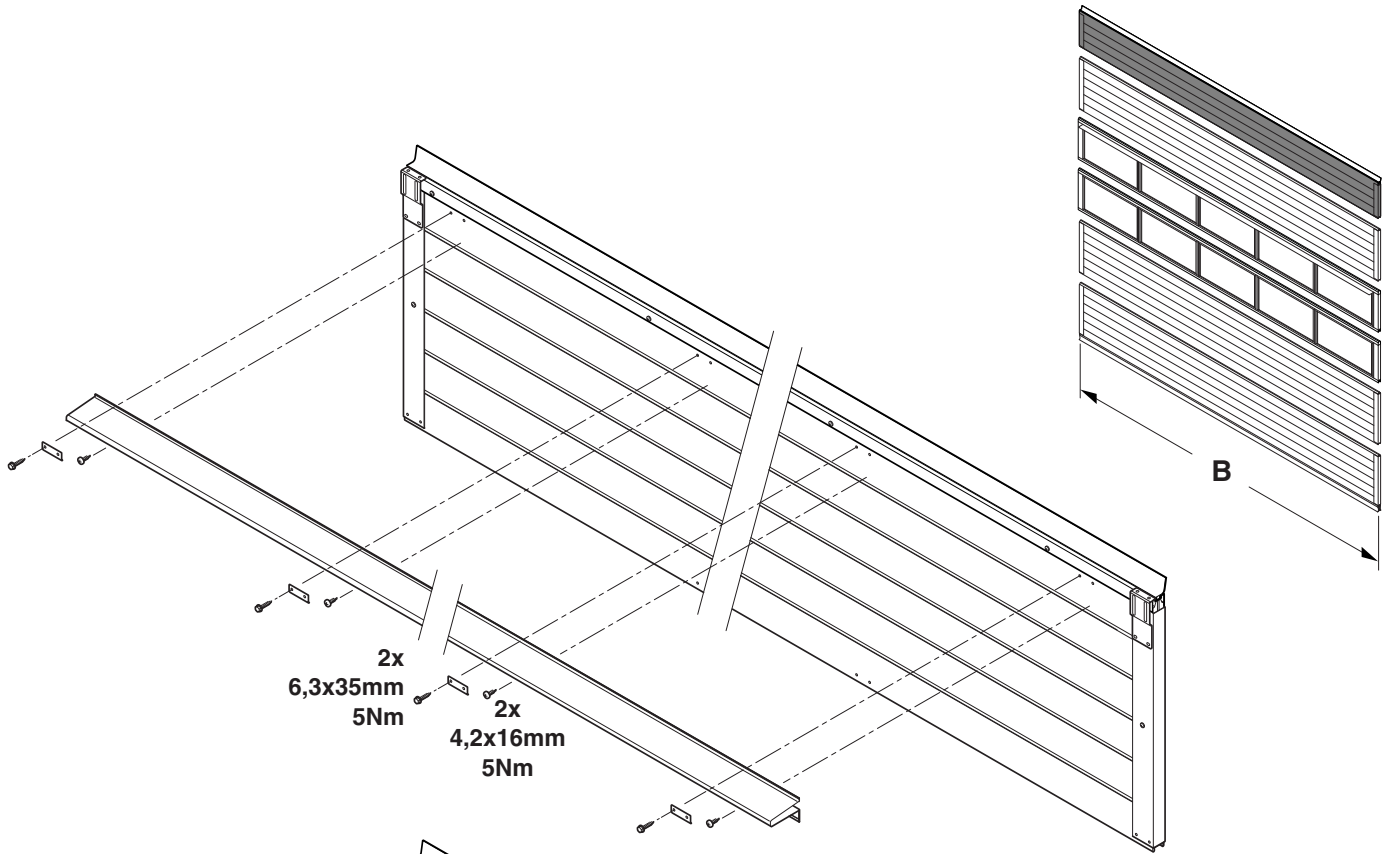
B > 5000mm



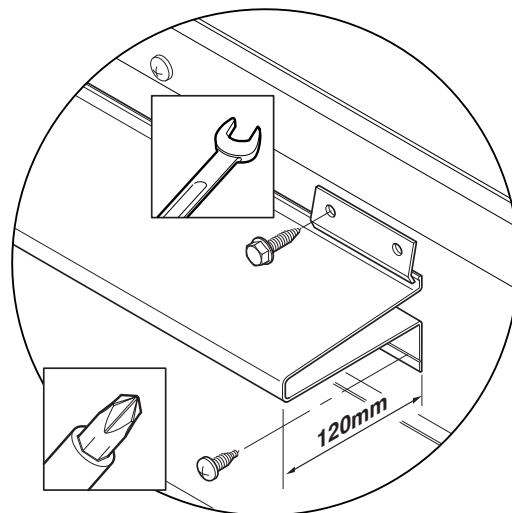
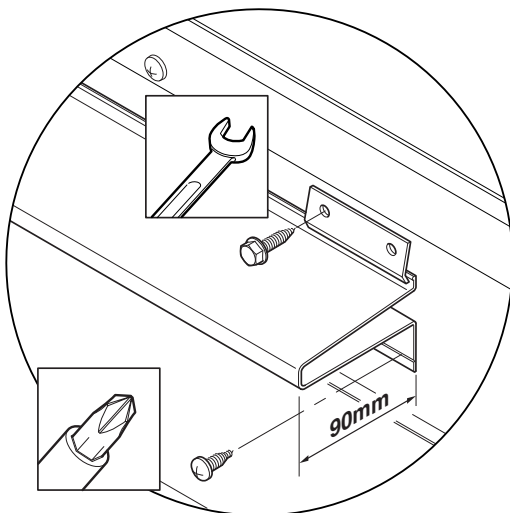
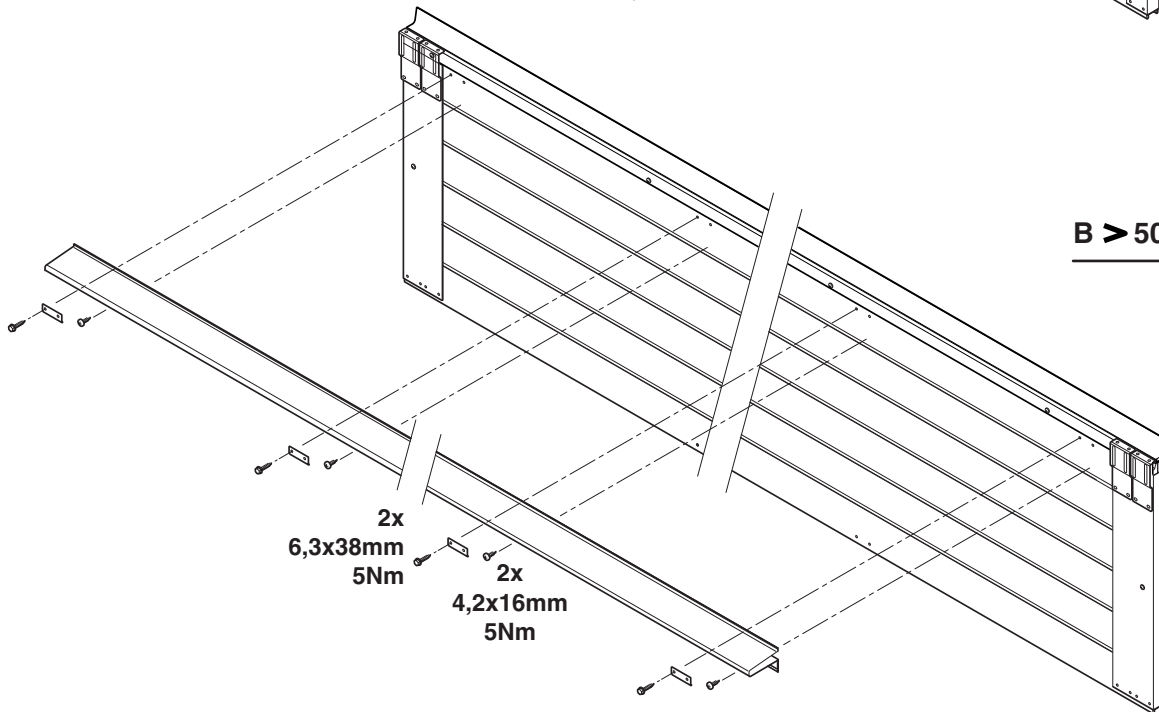
2x
6,3x35mm
5Nm
2x
4,2x16mm
5Nm



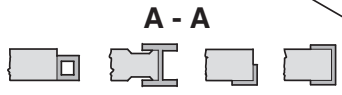
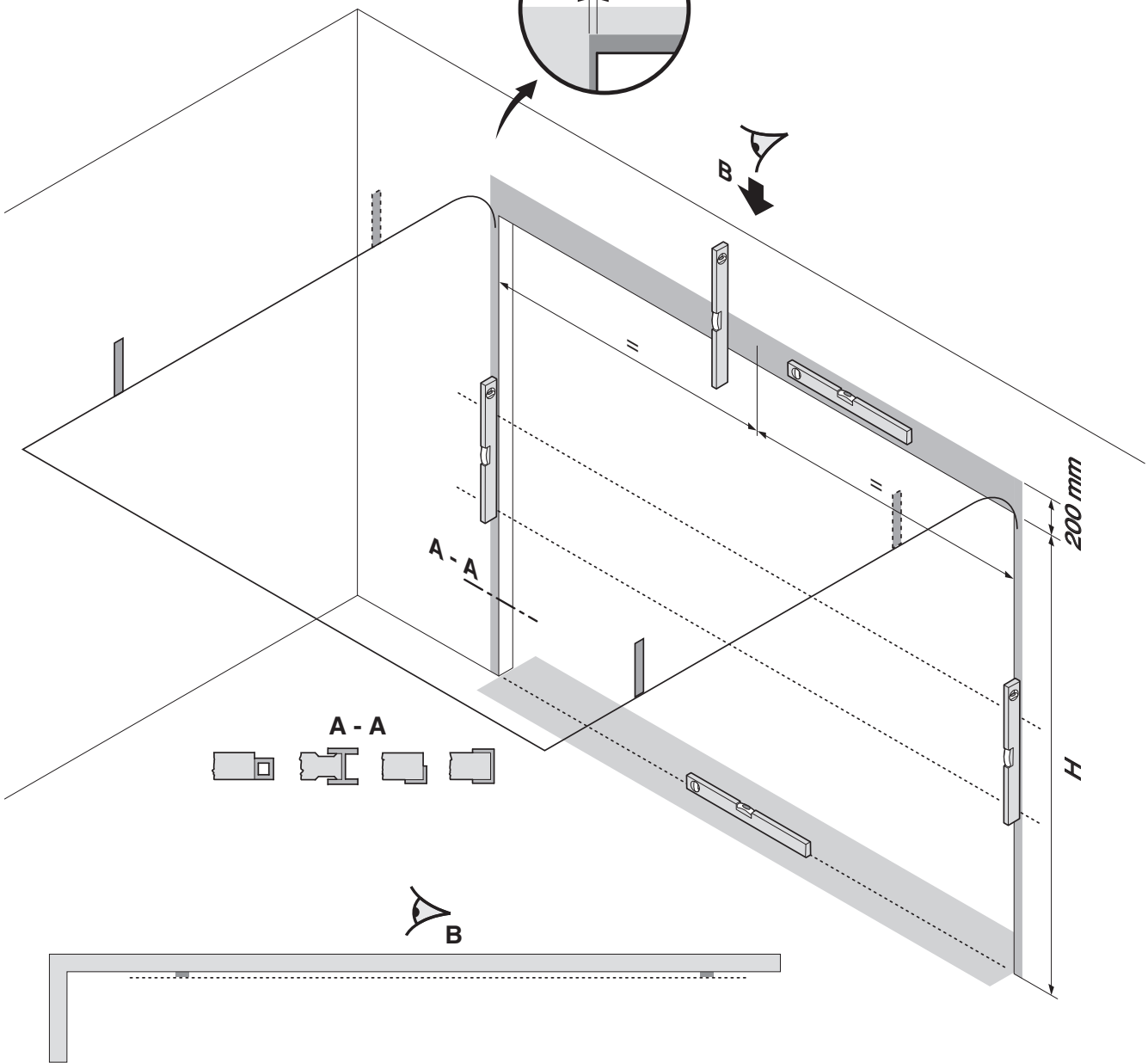
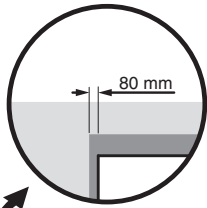
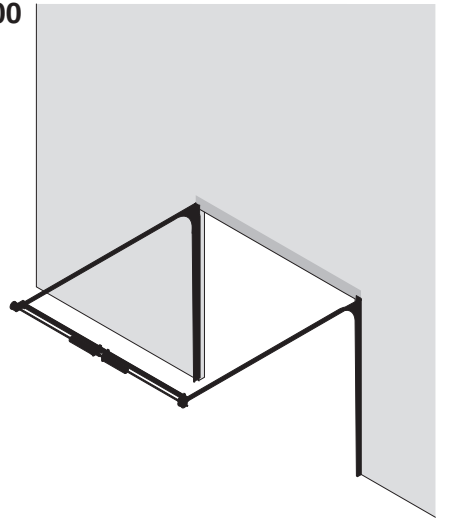
B < 5000mm



B > 5000mm

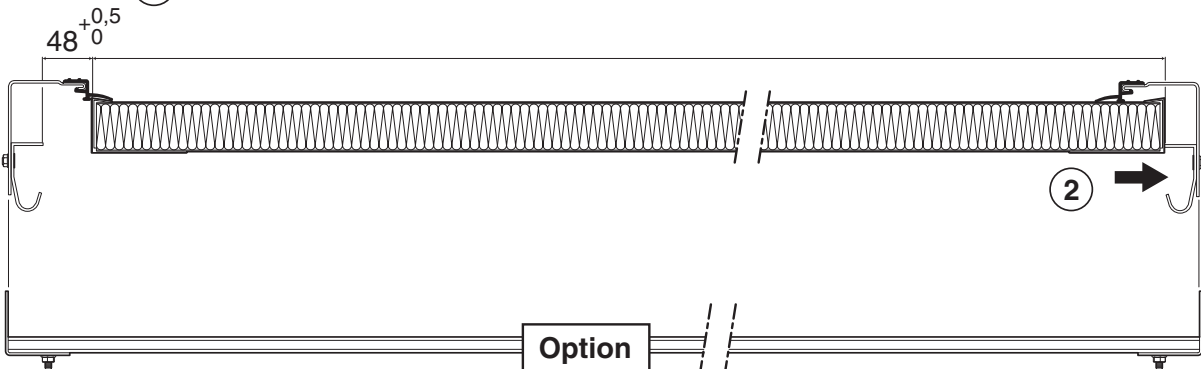
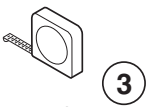
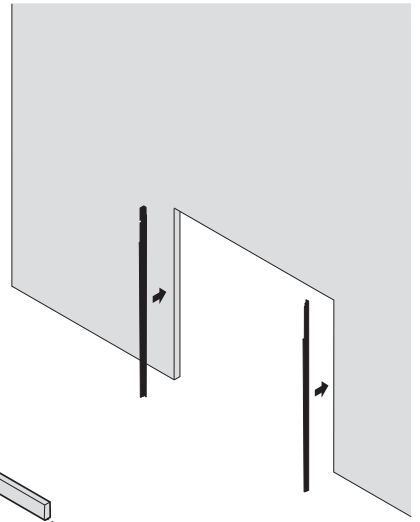
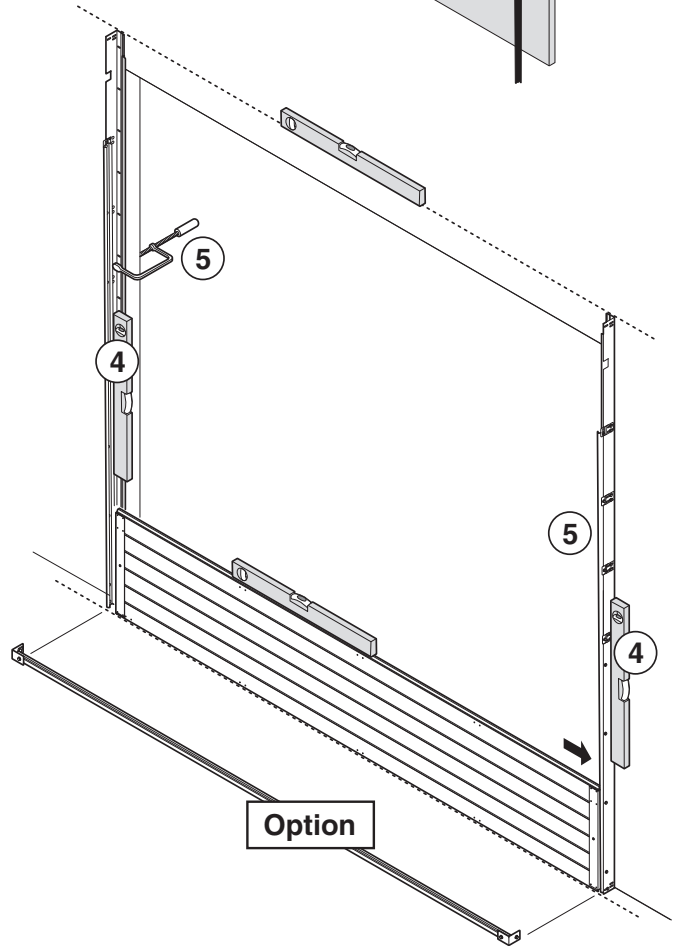
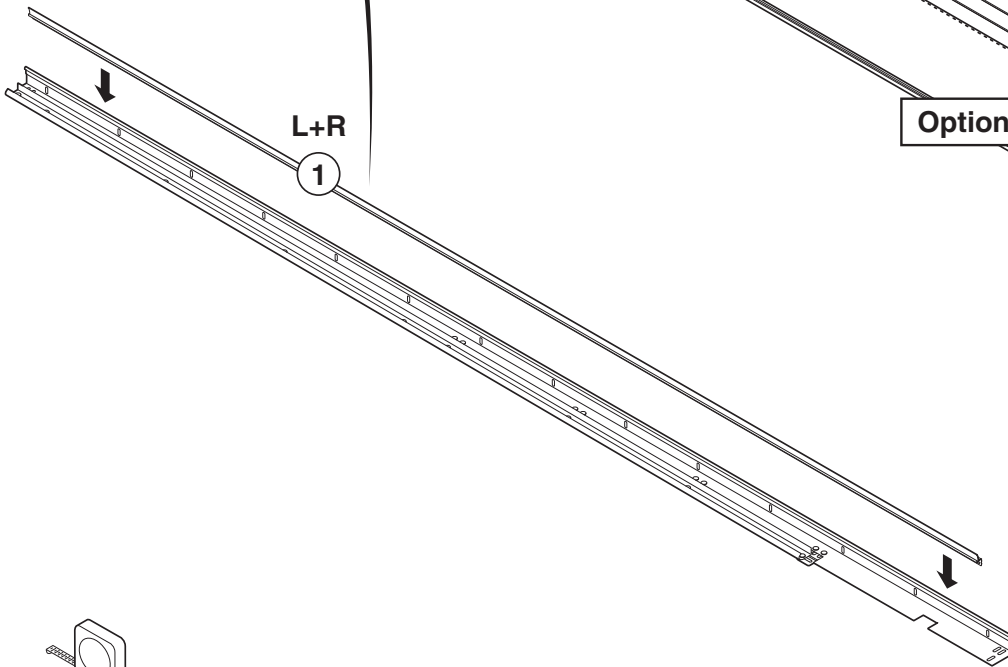
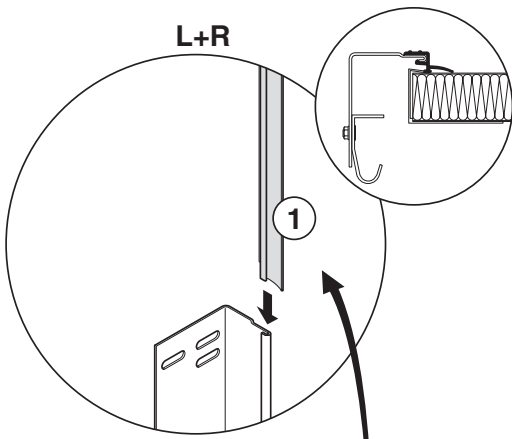


T 200



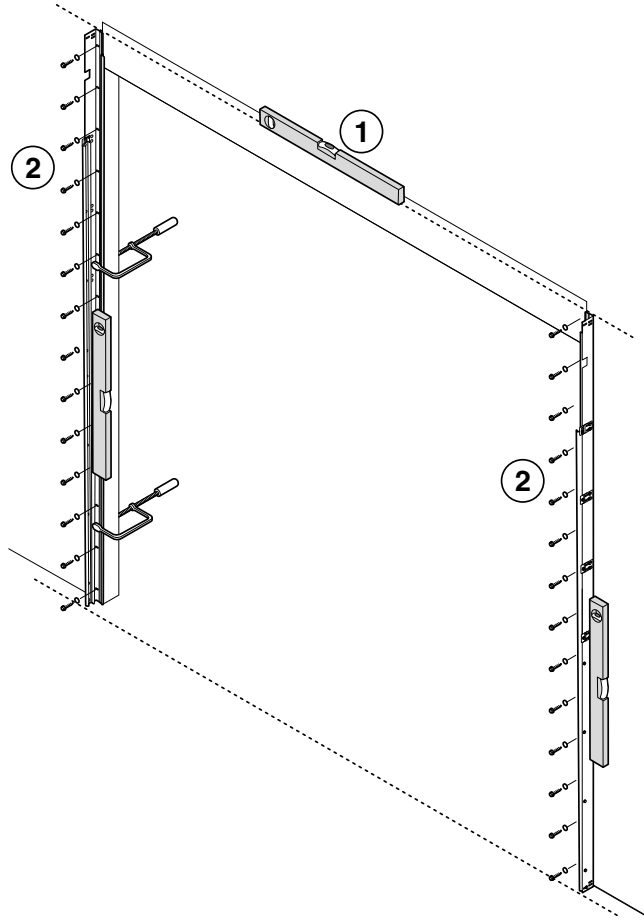
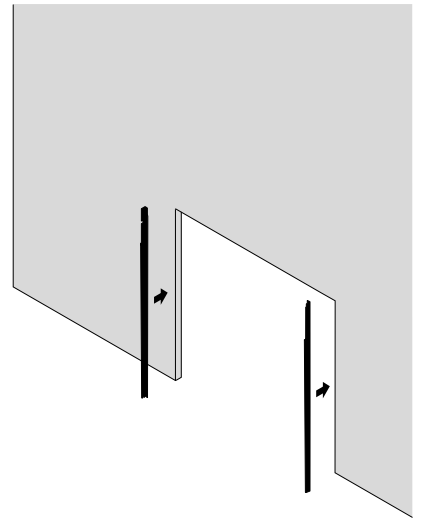
- 1
- 2
- 3
- 4
- 5

T 200

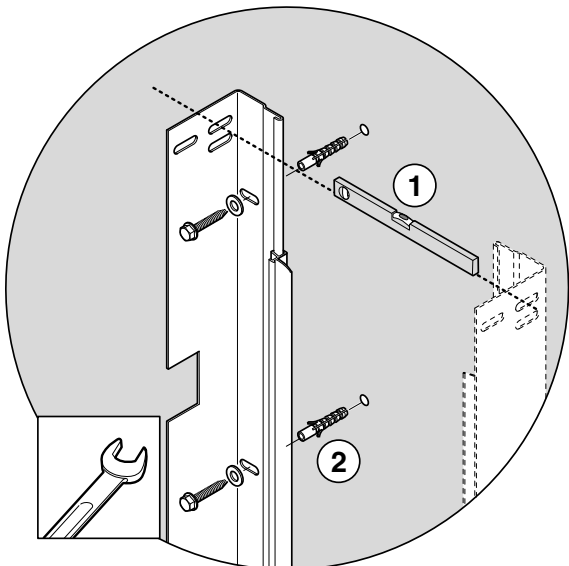


1 2

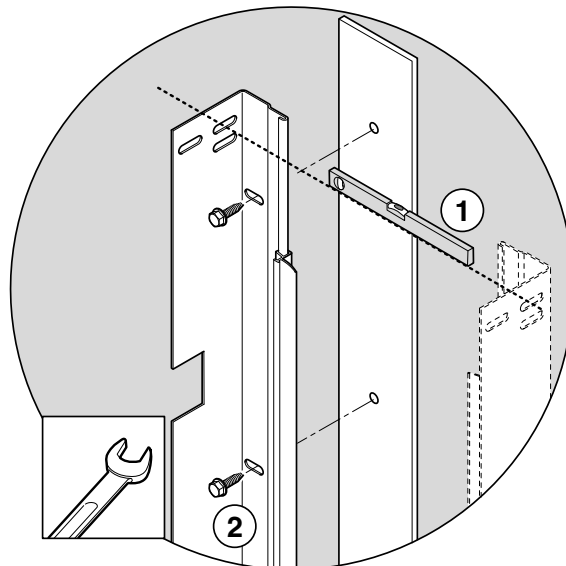
T 200



L+R

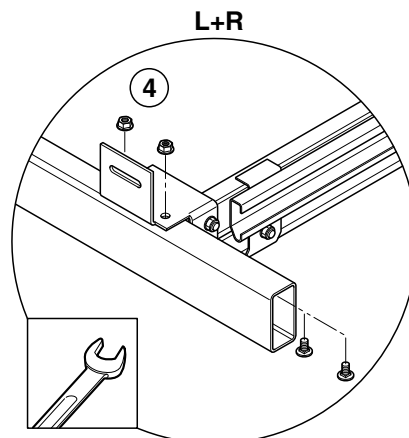
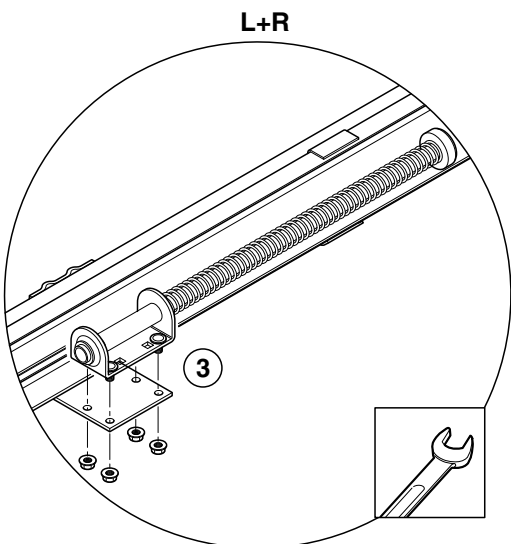
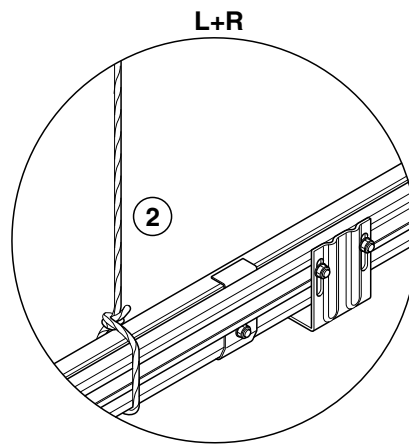
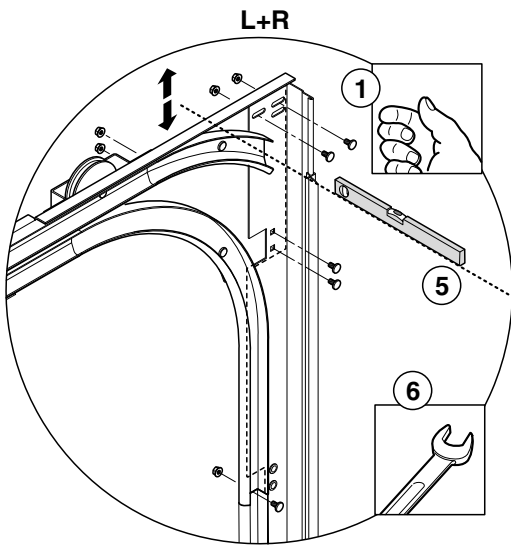
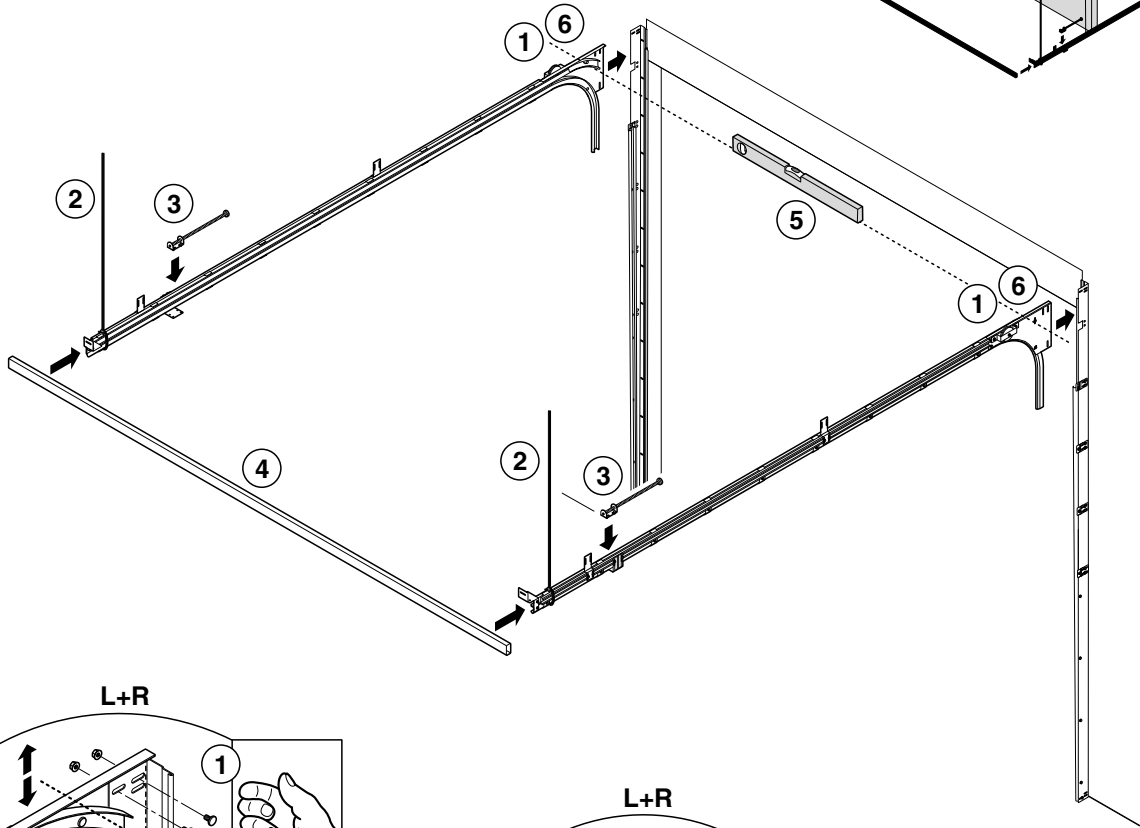
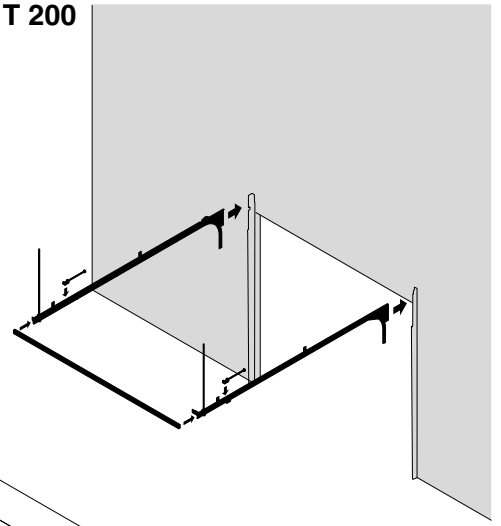


L+R



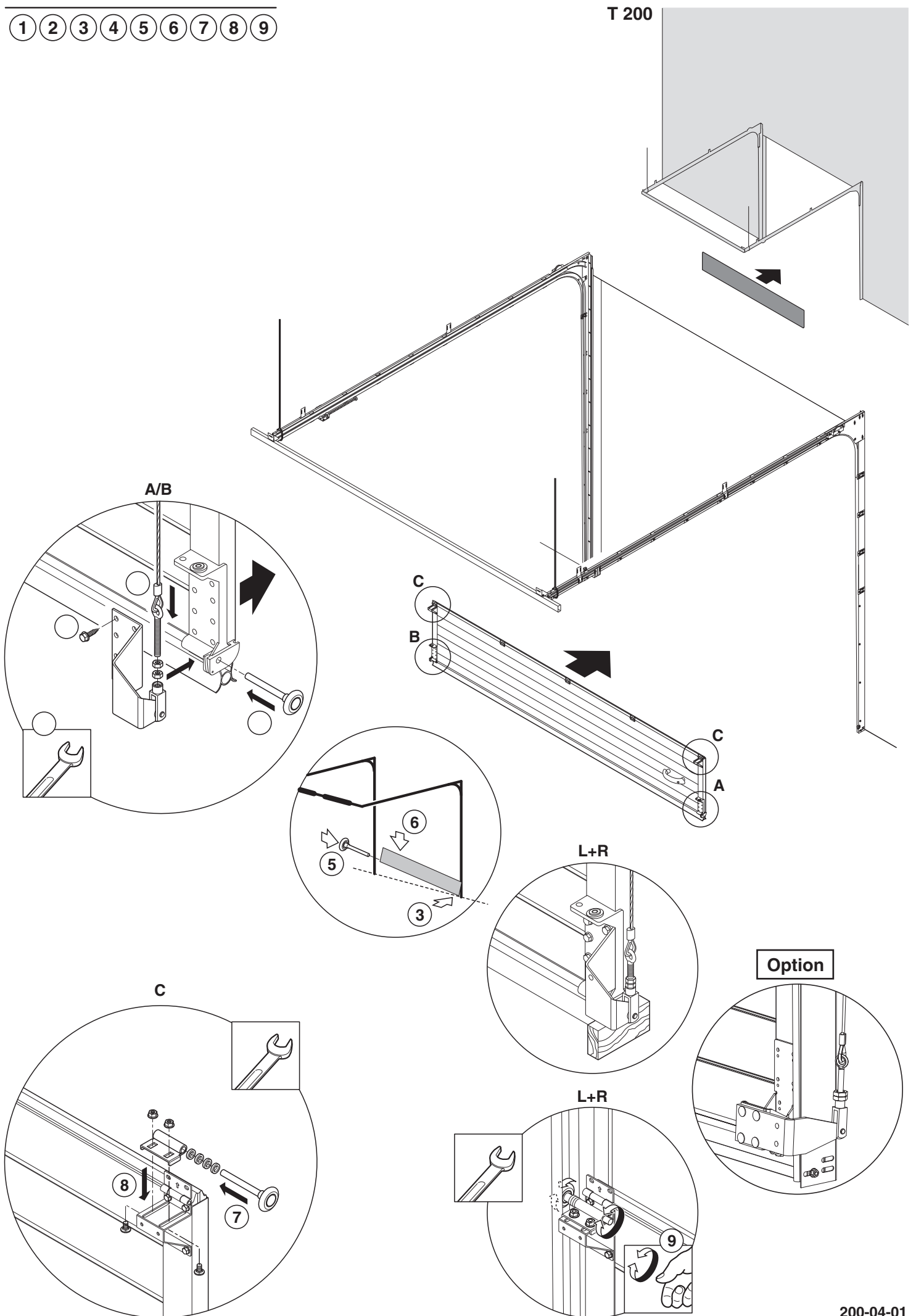
- 1
- 2
- 3
- 4
- 5
- 6

T 200



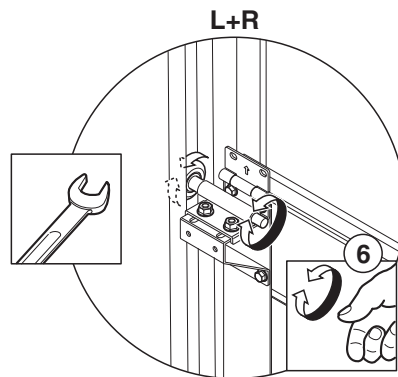
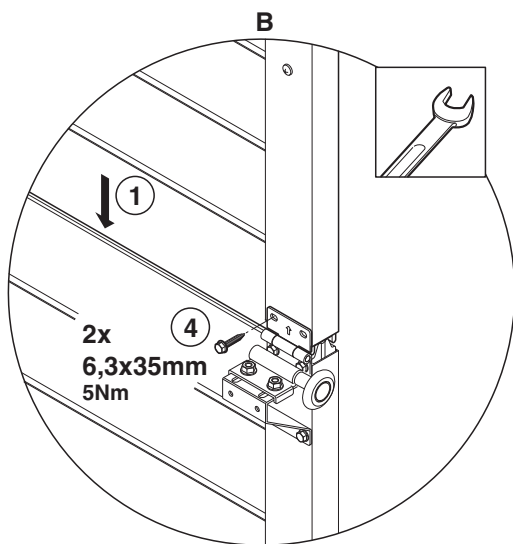
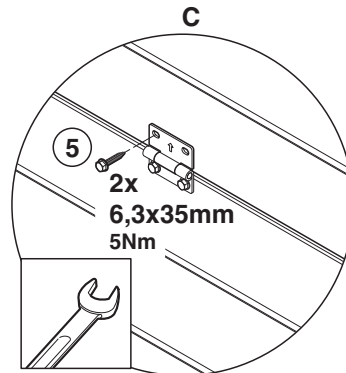
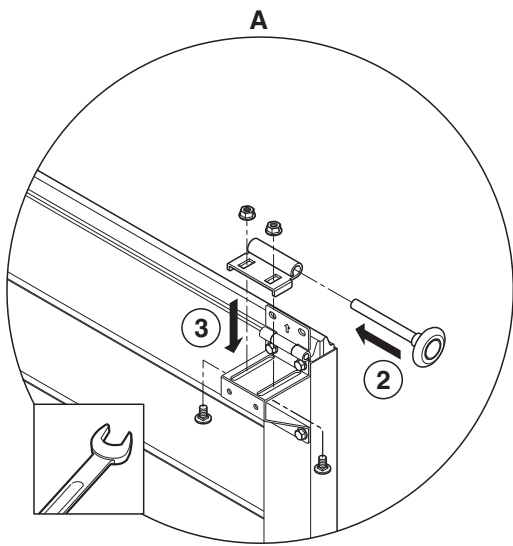
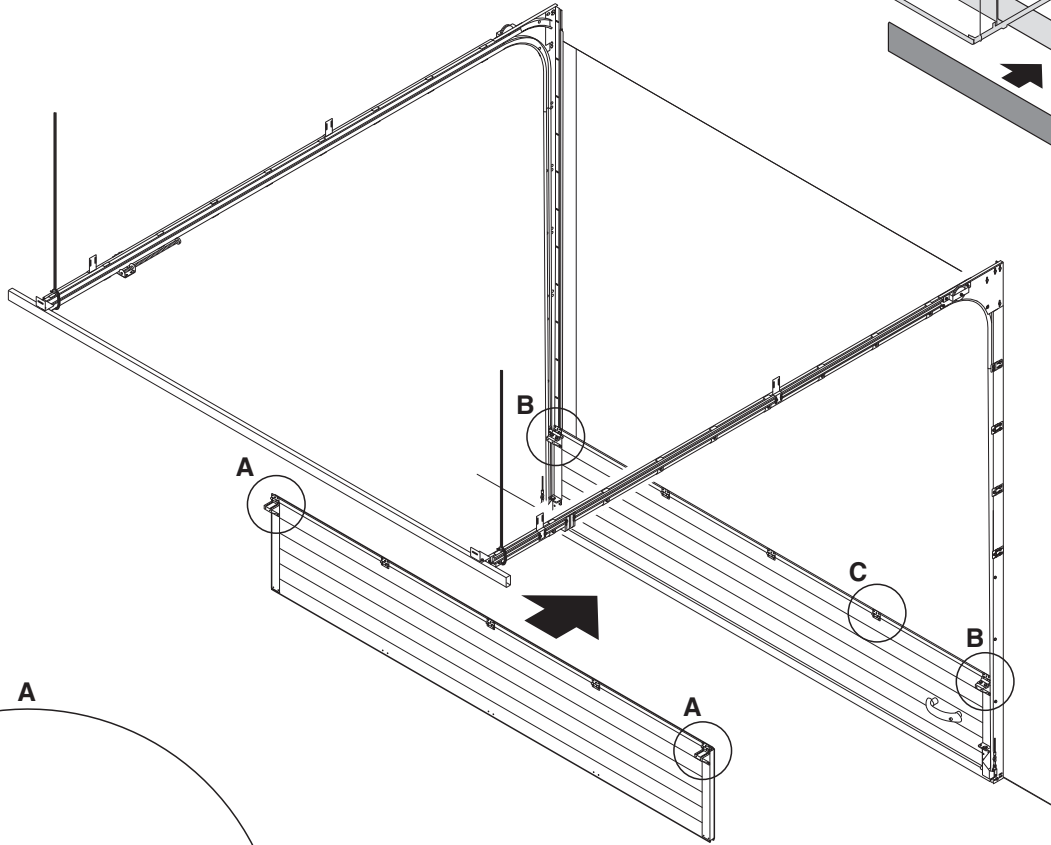
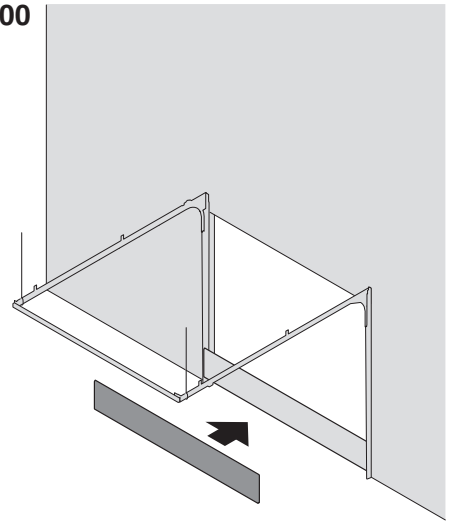
- 1
- 2
- 3
- 4
- 5
- 6
- 7
- 8
- 9

T 200



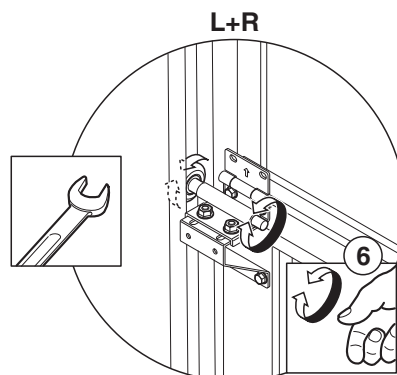
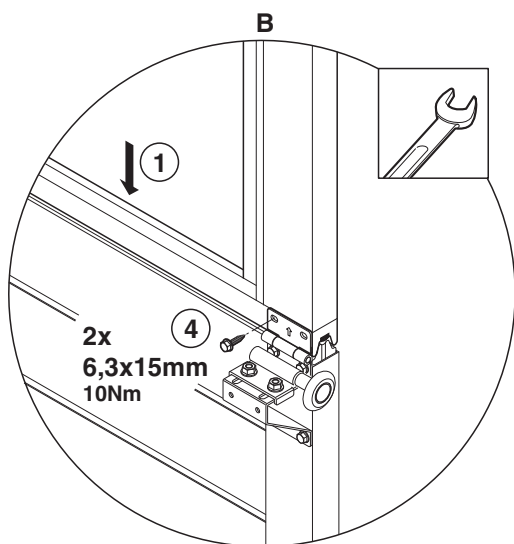
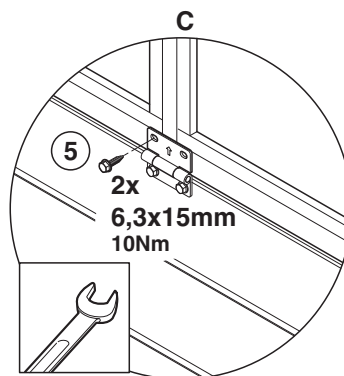
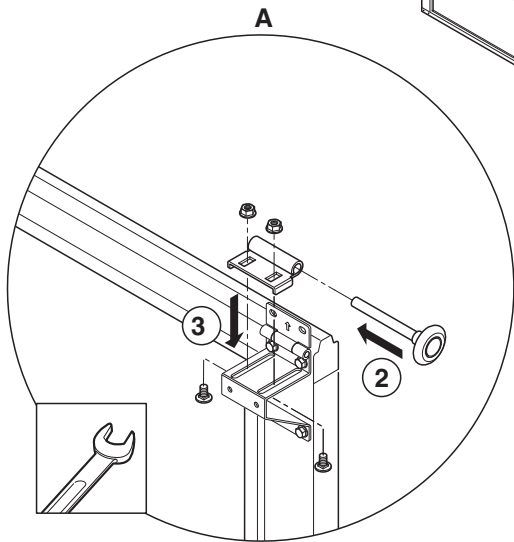
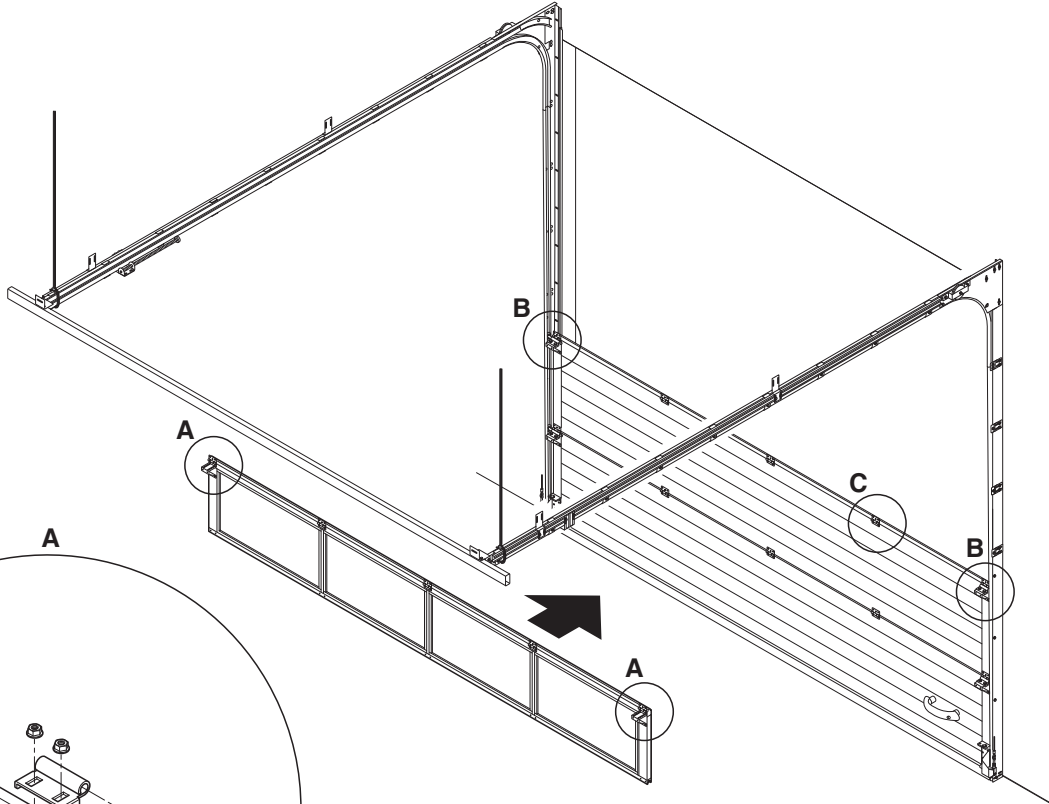
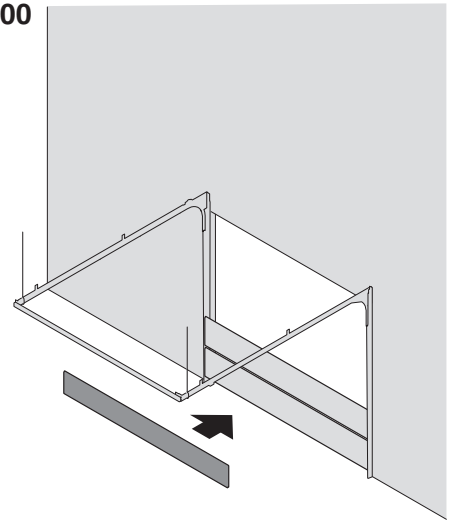
- 1
- 2
- 3
- 4
- 5
- 6

T 200



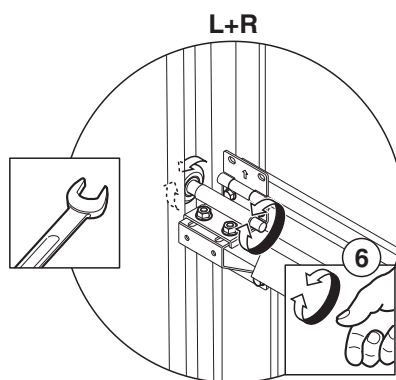
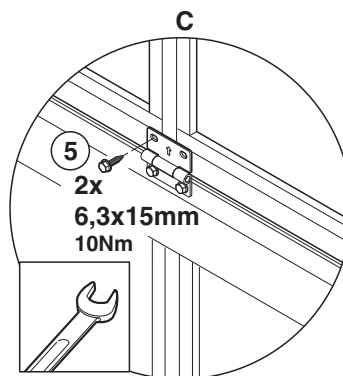
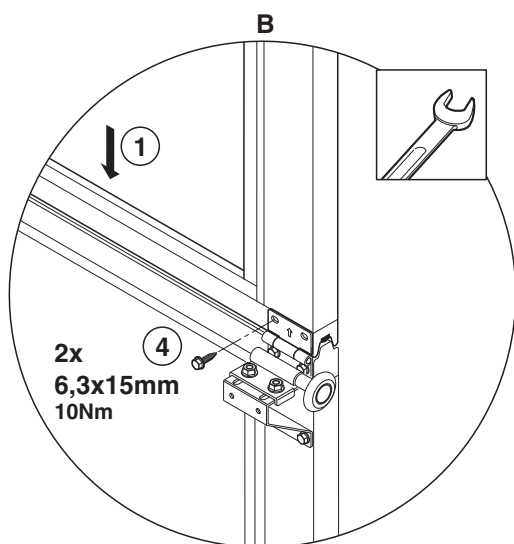
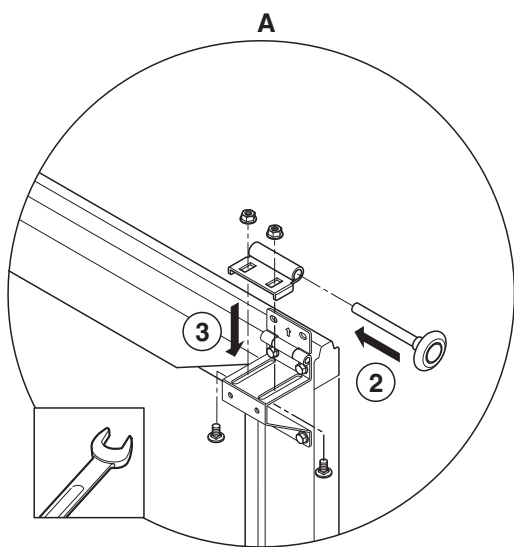
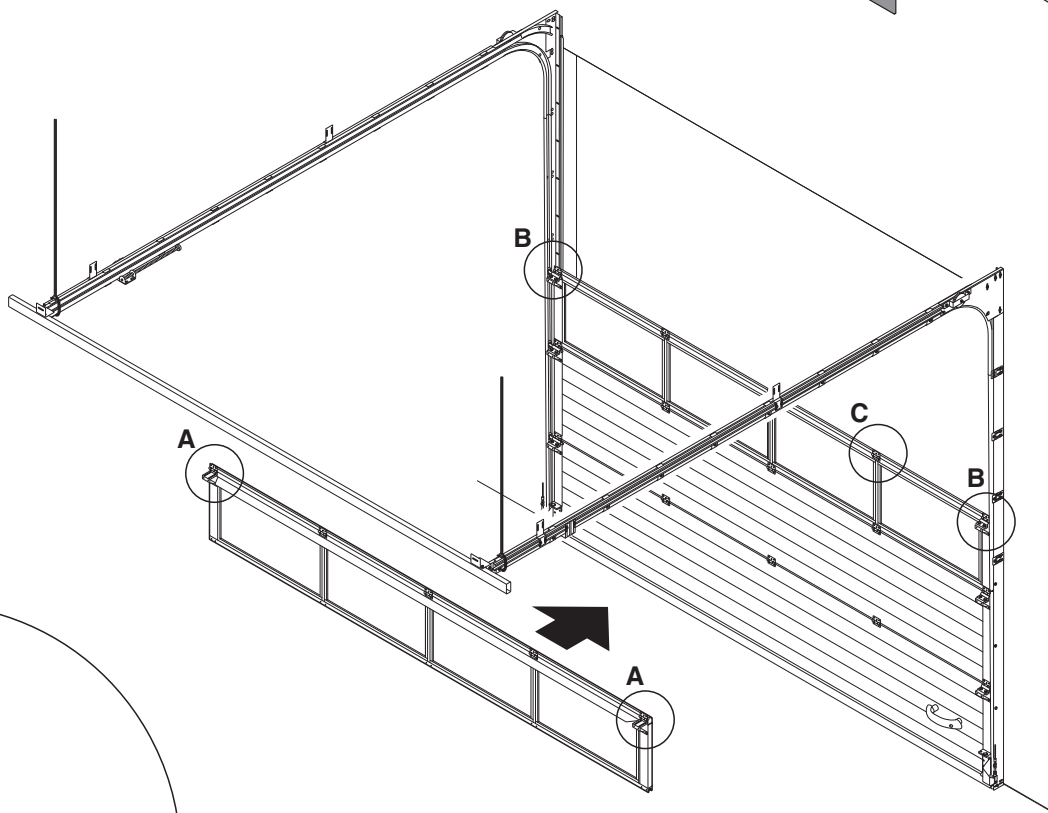
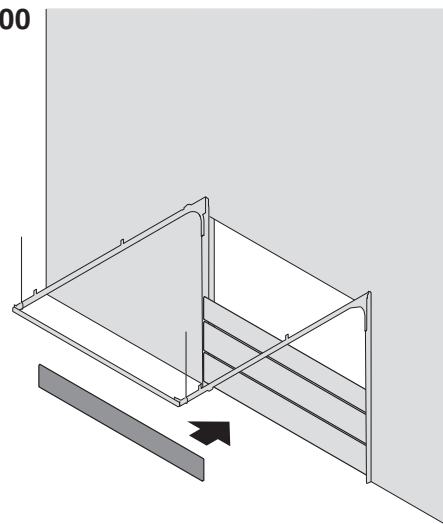
- 1
- 2
- 3
- 4
- 5
- 6

T 200



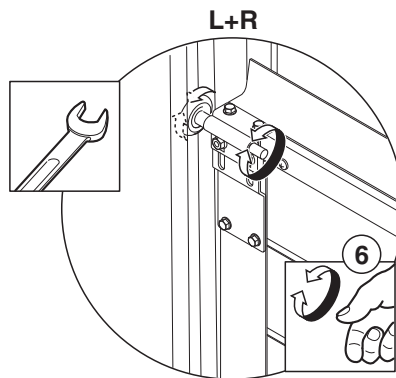
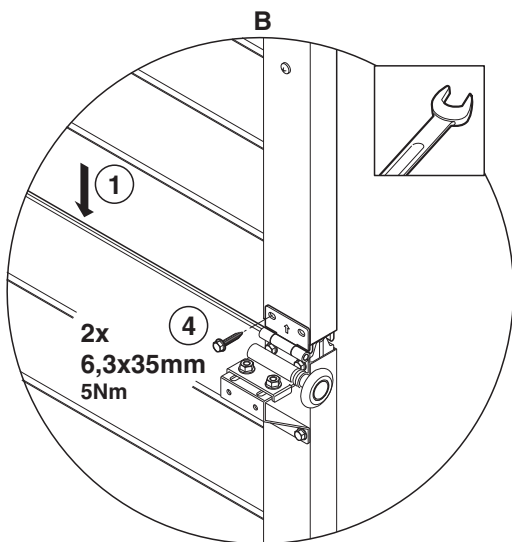
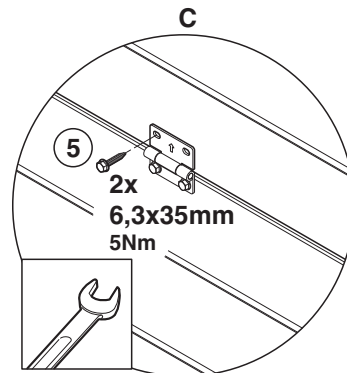
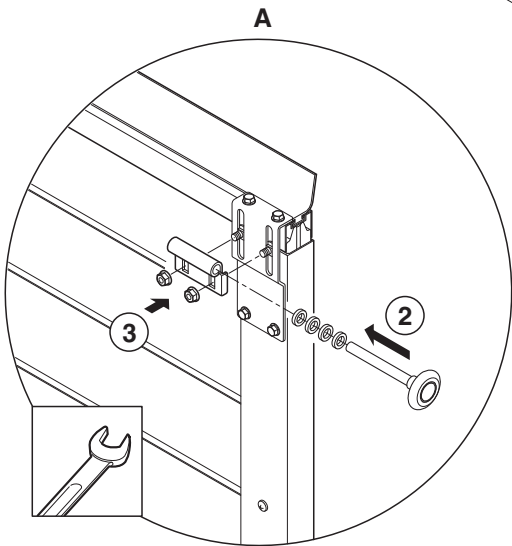
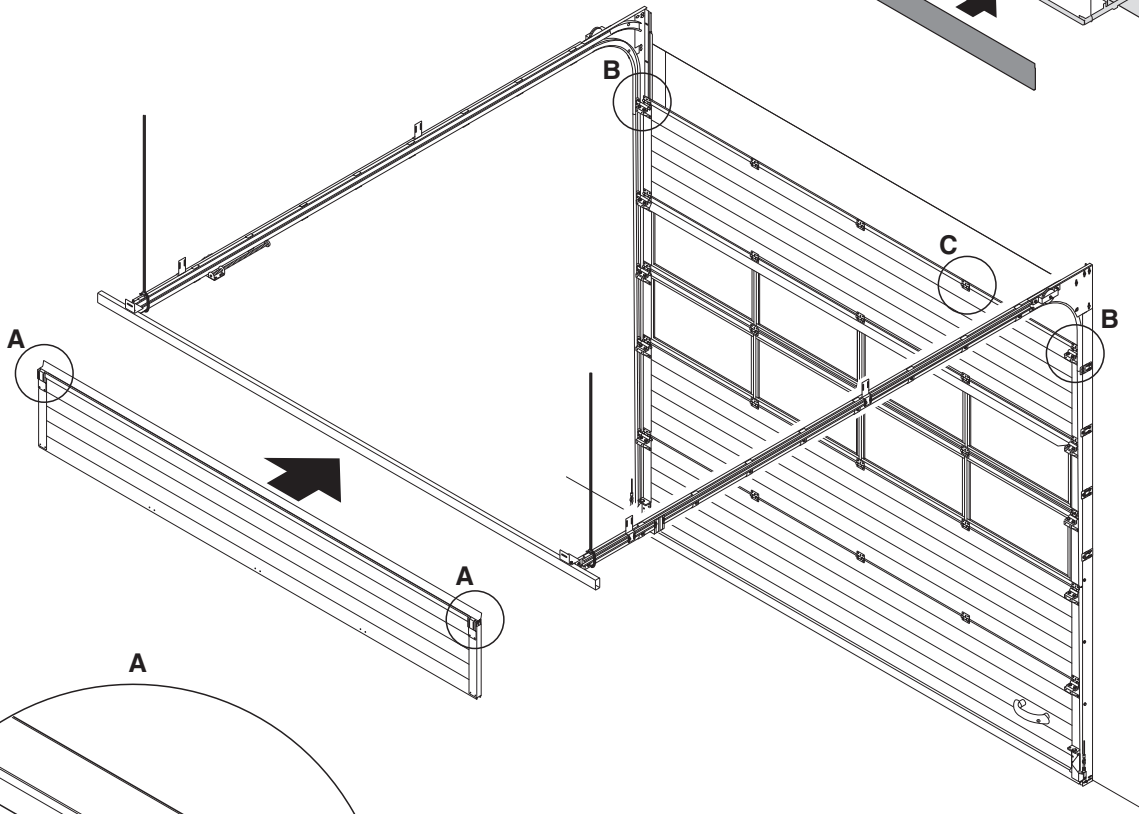
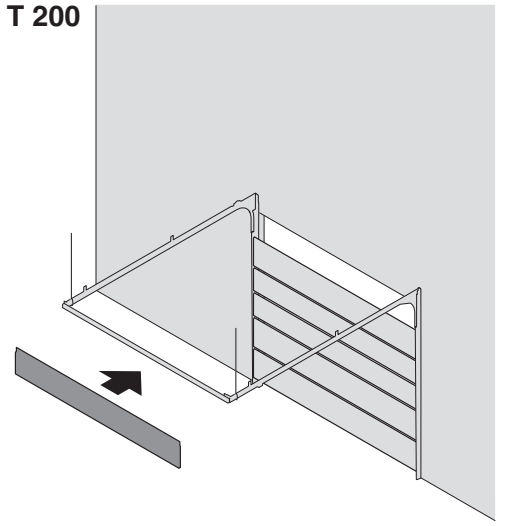
- 1
- 2
- 3
- 4
- 5
- 6

T 200

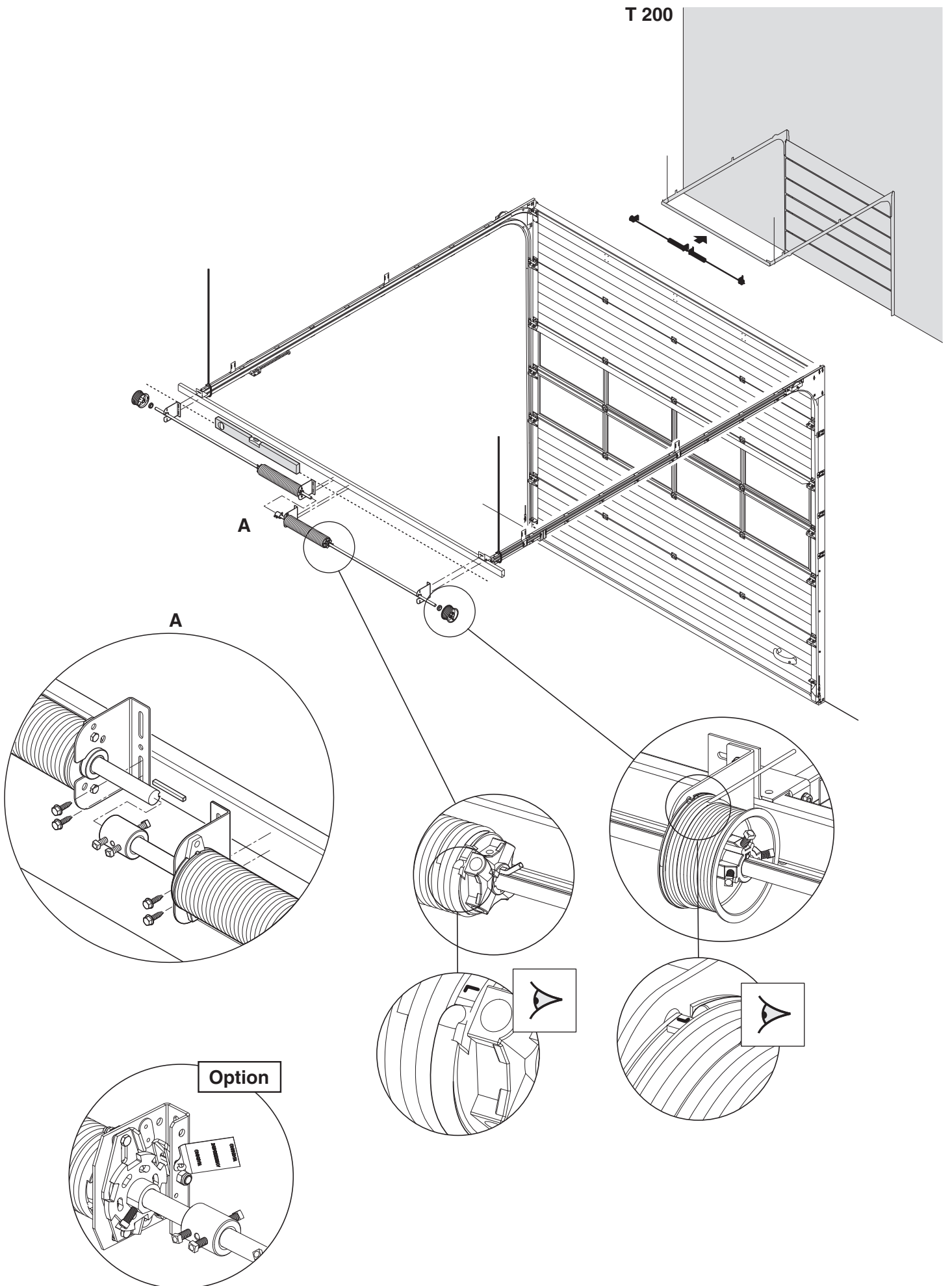


- 1
- 2
- 3
- 4
- 5
- 6

T 200

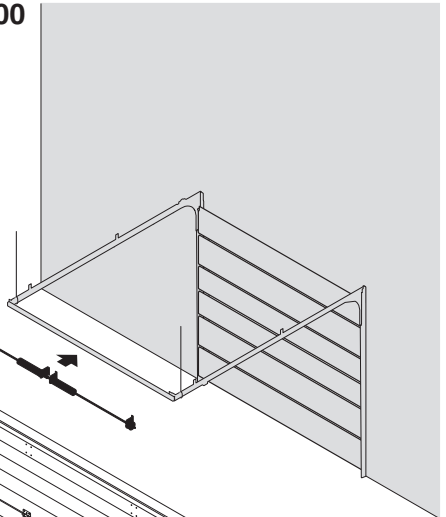
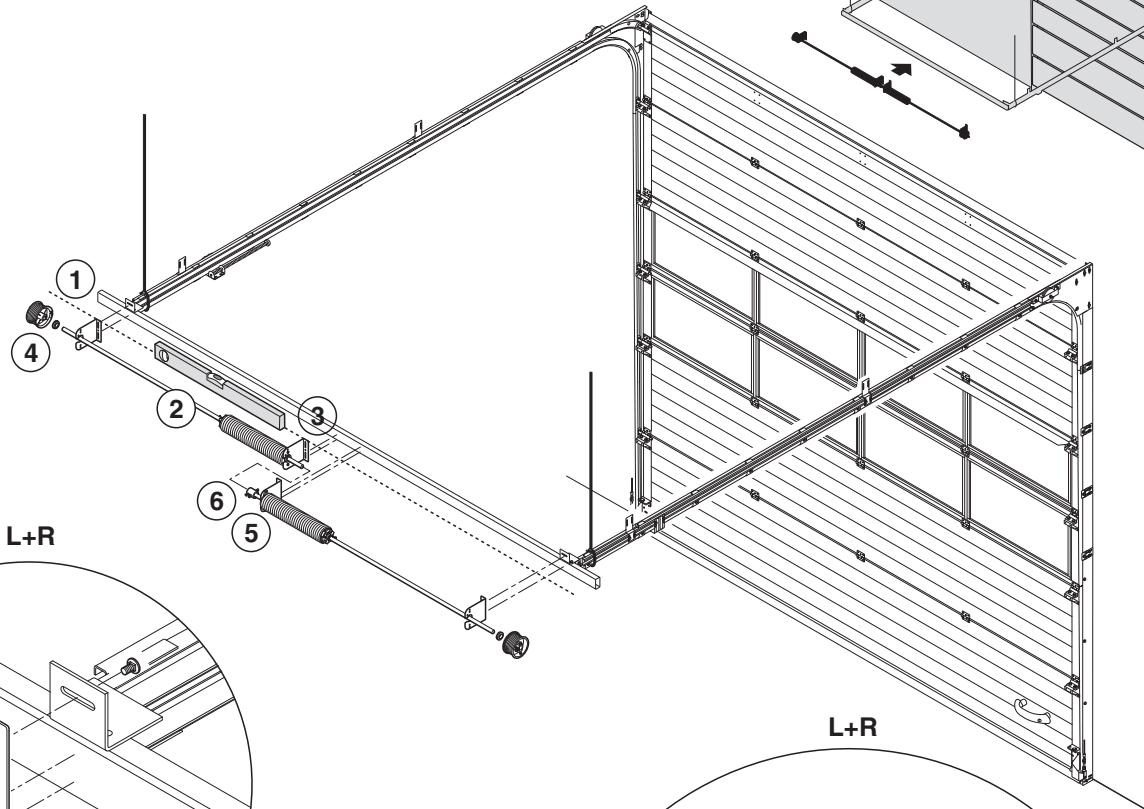


T 200

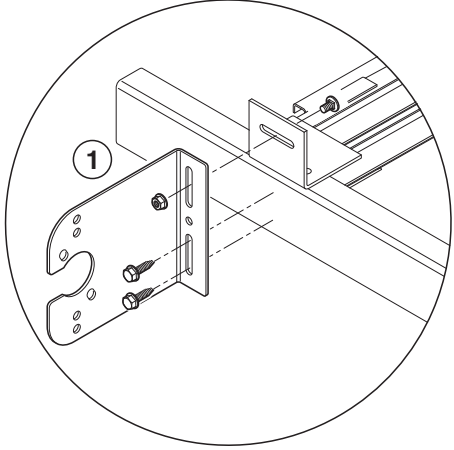


- 1
- 2
- 3
- 4
- 5
- 6

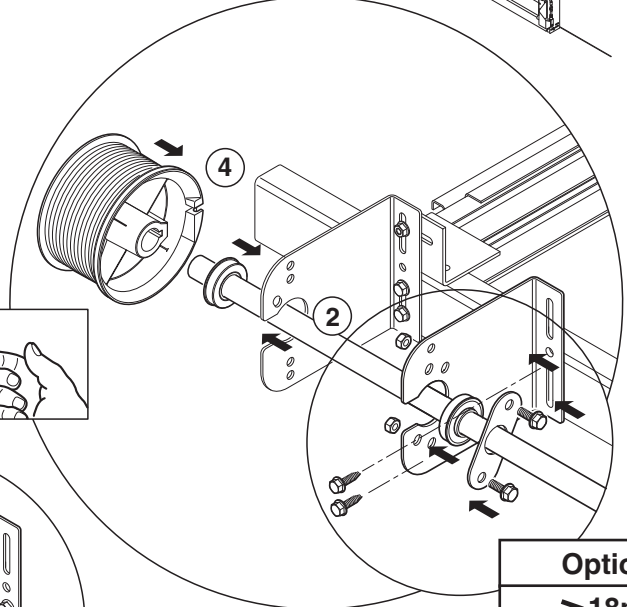
T 200



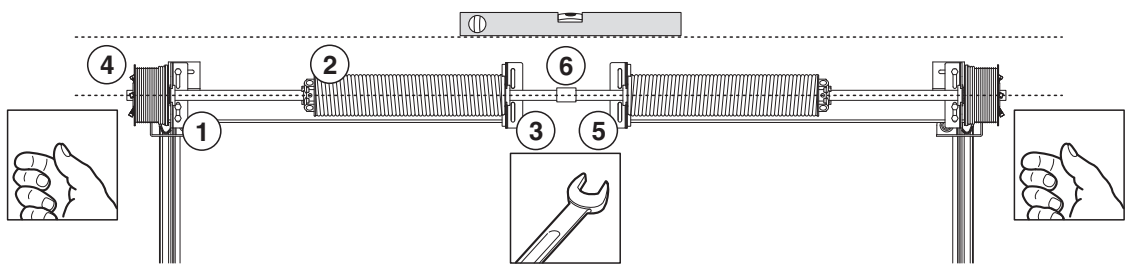
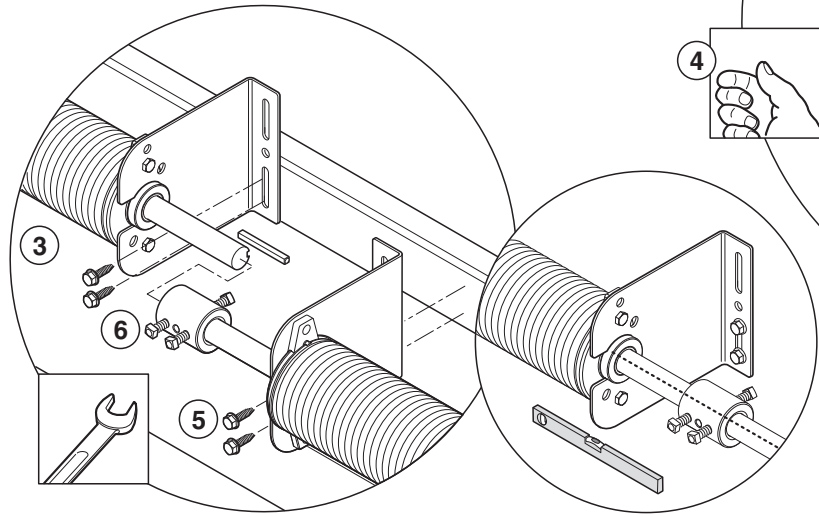
L+R



L+R

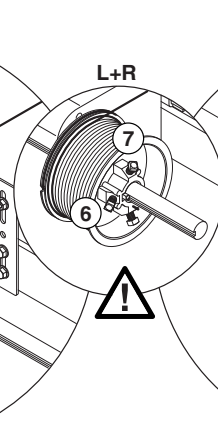
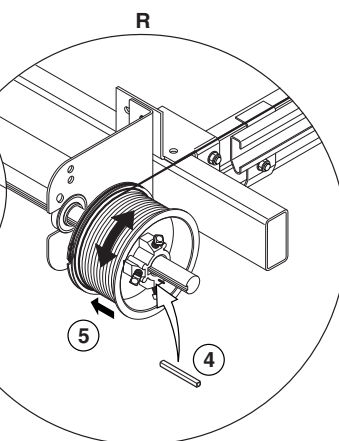
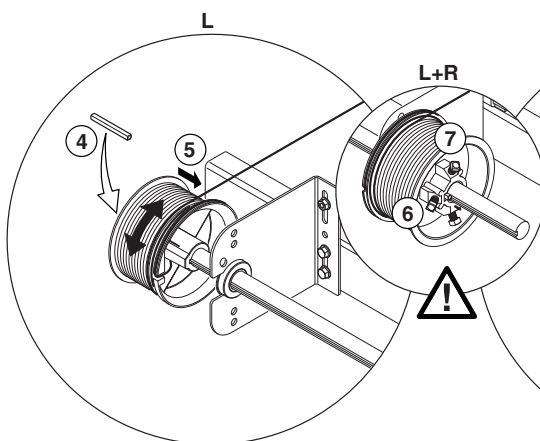
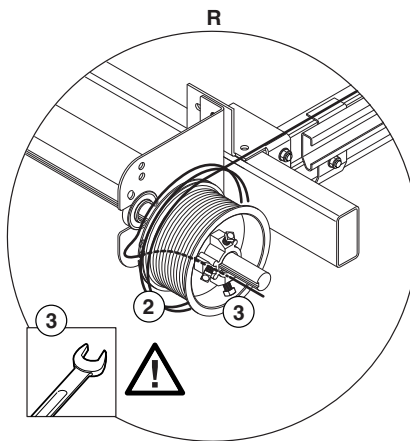
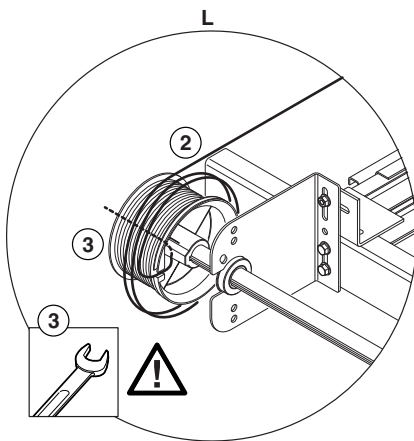
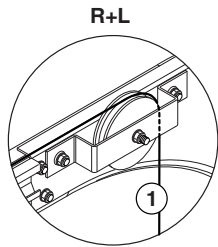
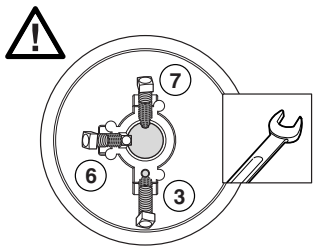
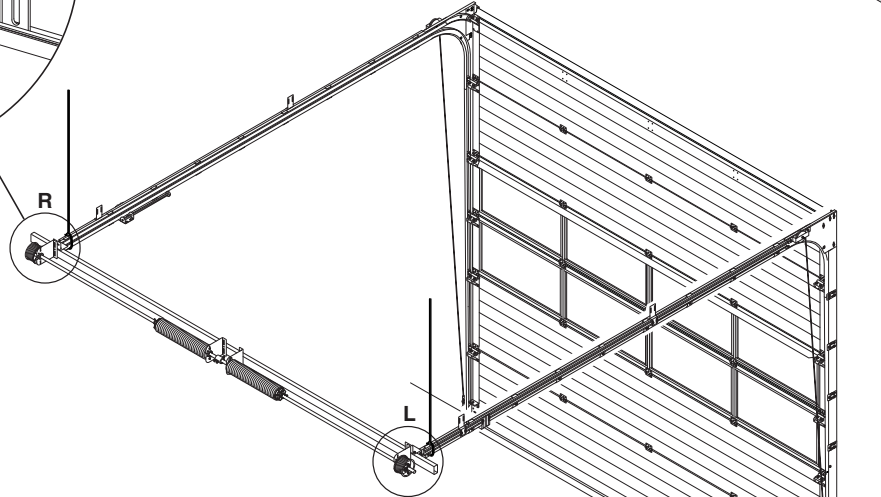
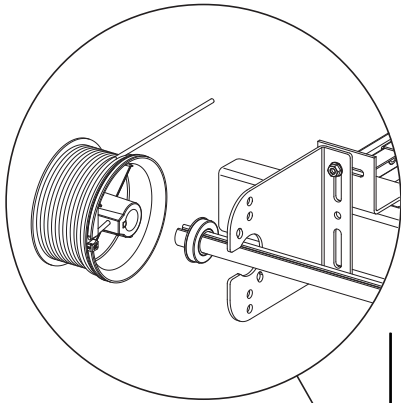
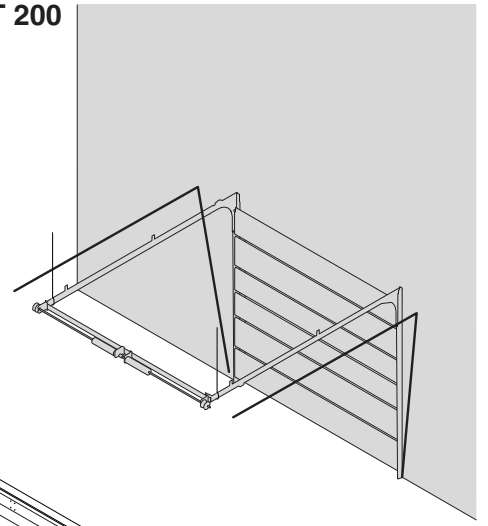


Option
>18m²



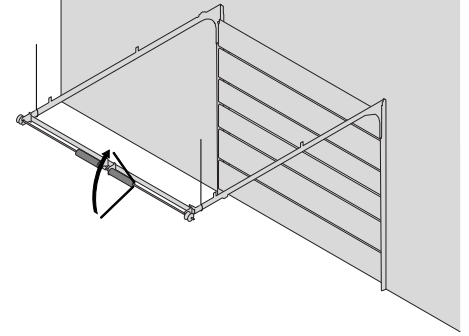
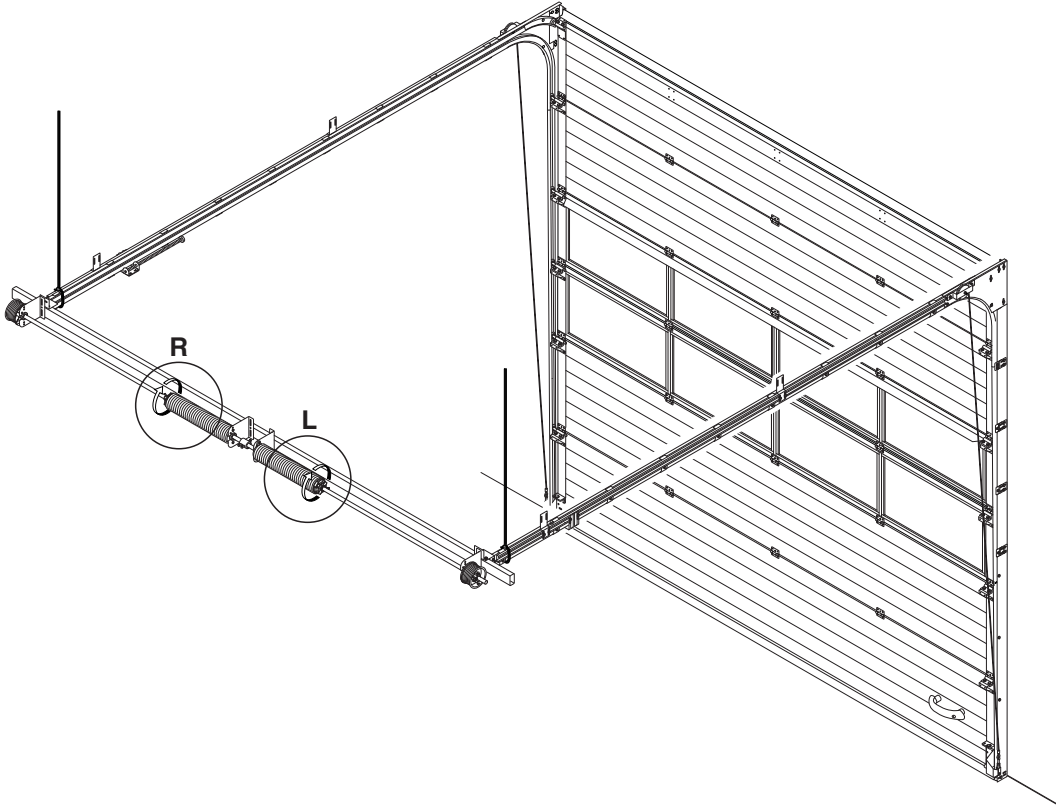
- 1
- 2
- 3
- 4
- 5
- 6
- 7

T 200



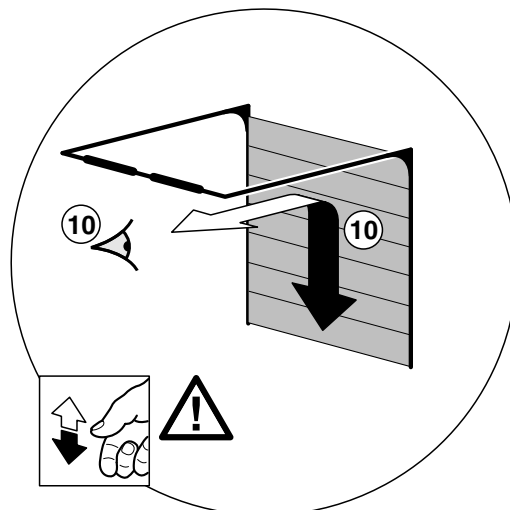
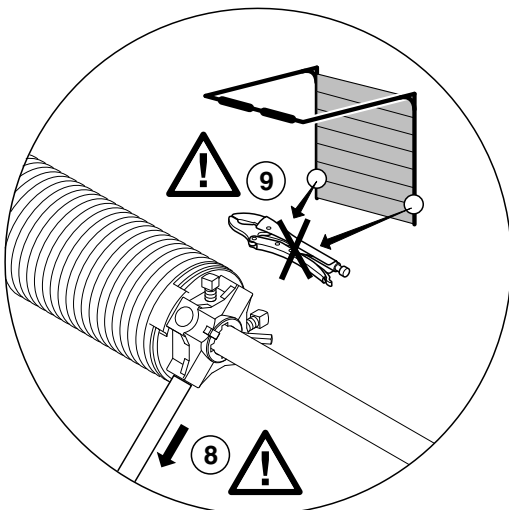
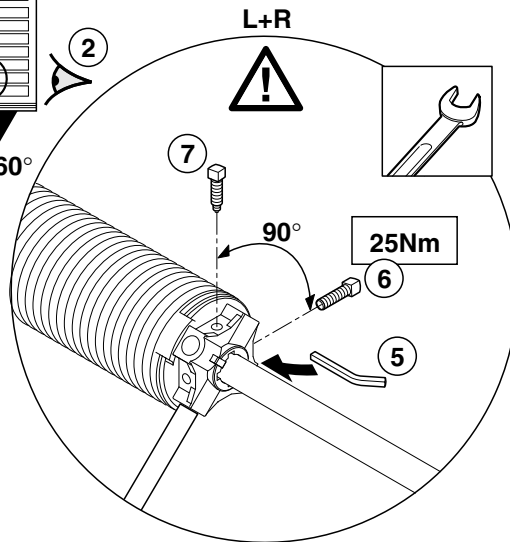
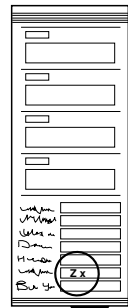
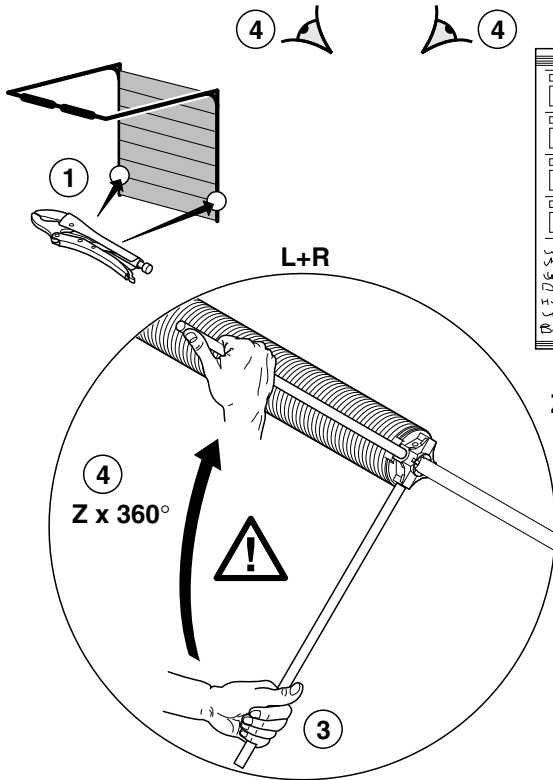
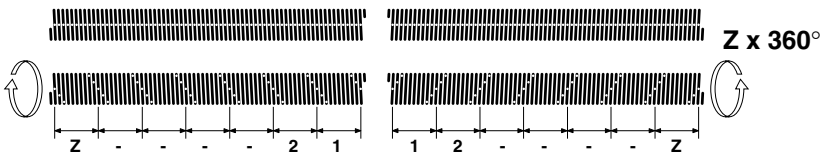
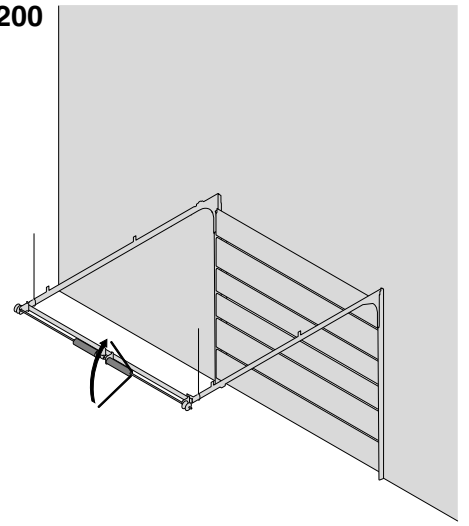
- 1
- 2
- 3
- 4
- 5
- 6
- 7
- 8
- 9
- 10

T 200



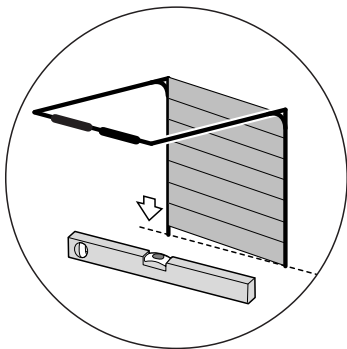
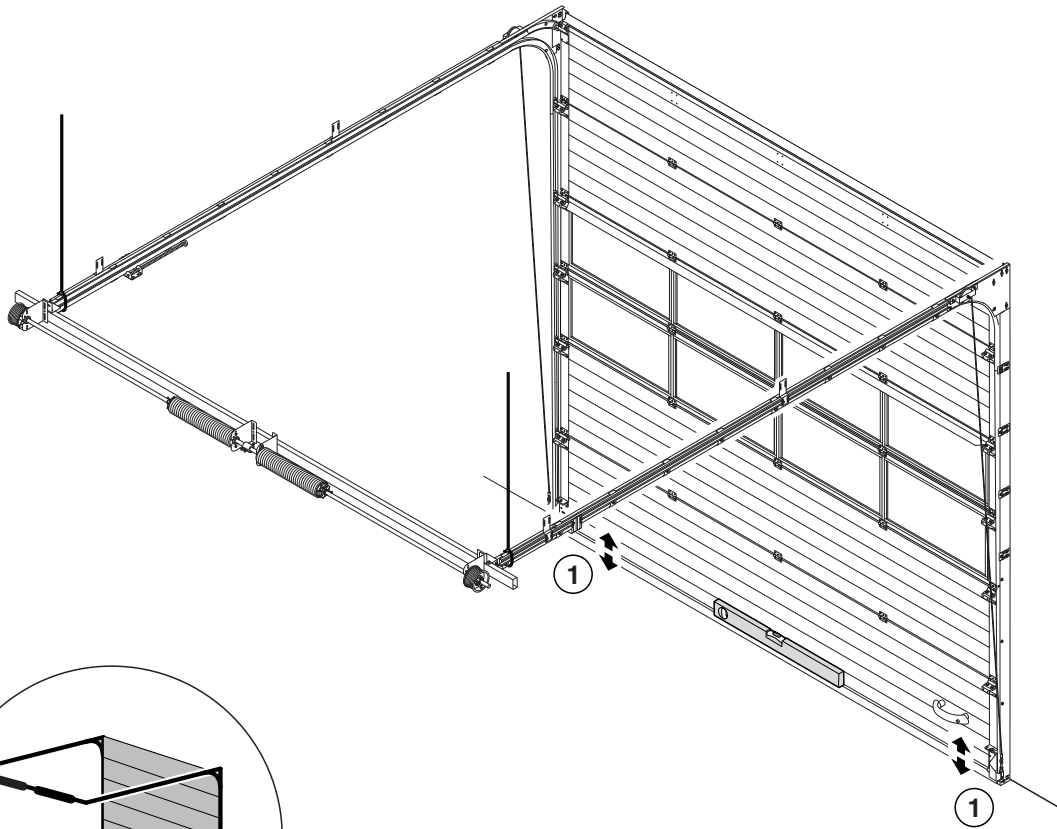
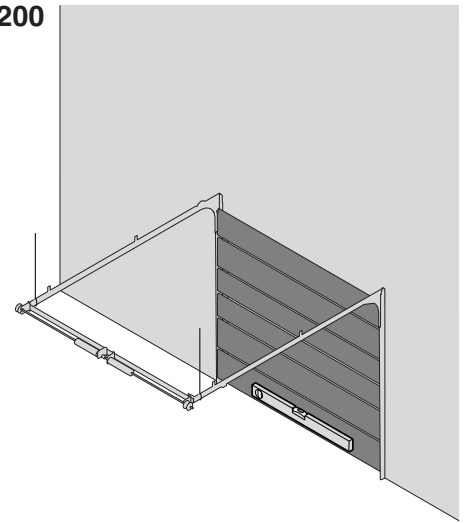
- 1
- 2
- 3
- 4
- 5
- 6
- 7
- 8
- 9
- 10

T 200

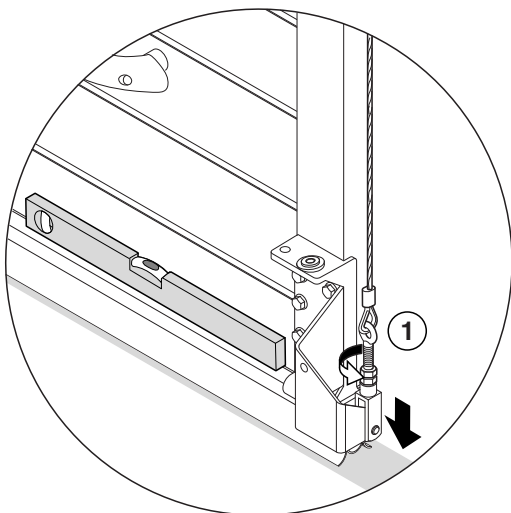


1 2 3

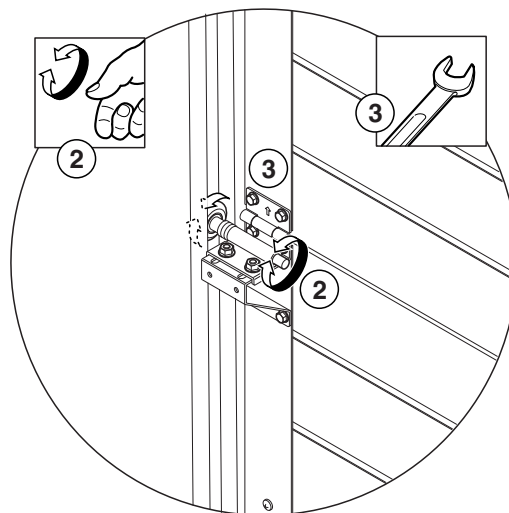
T 200



L+R

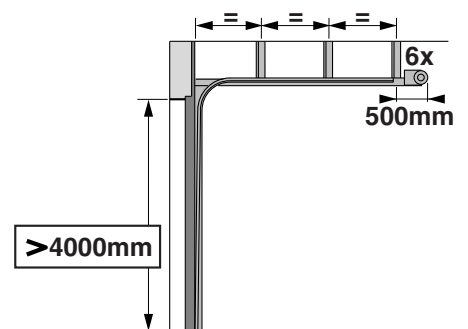
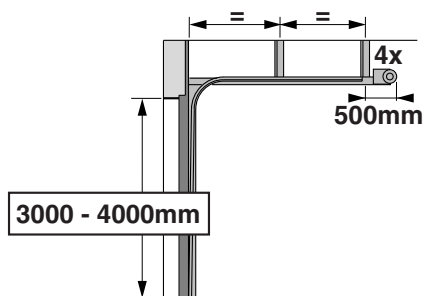
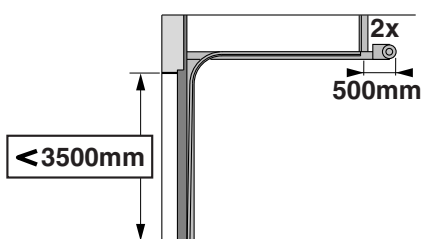
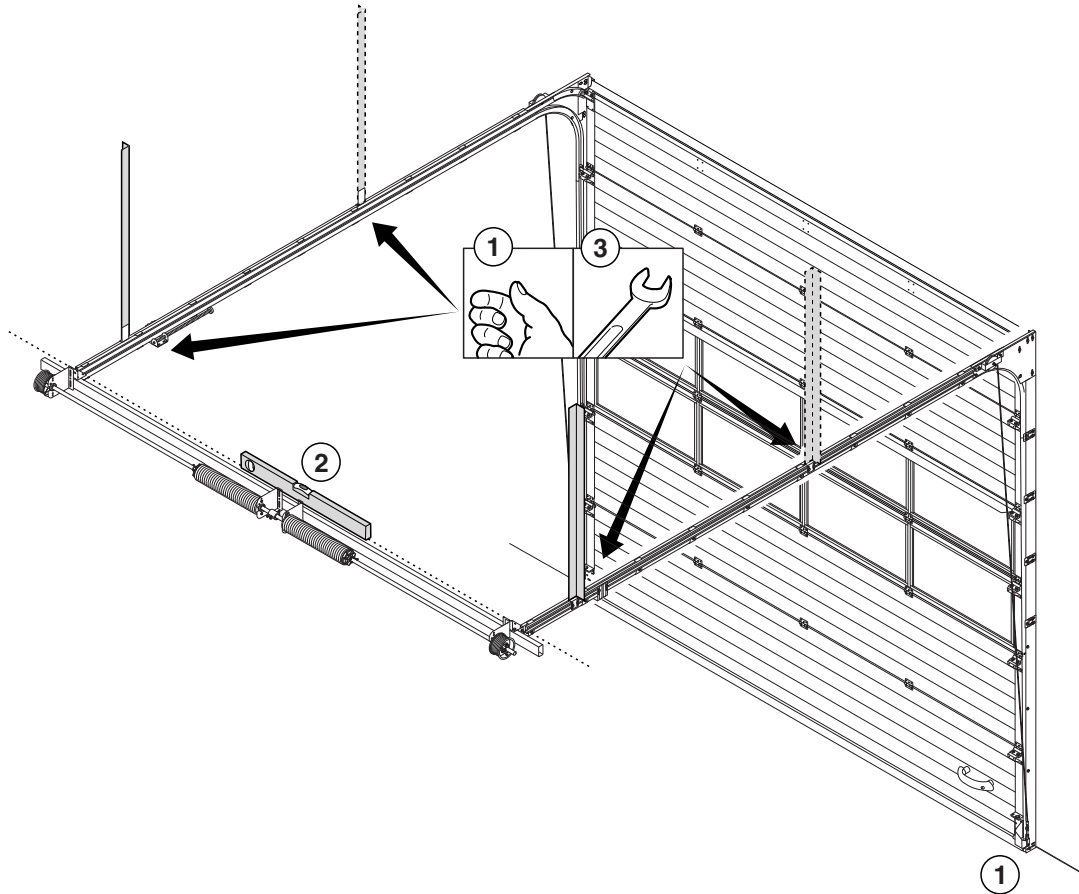
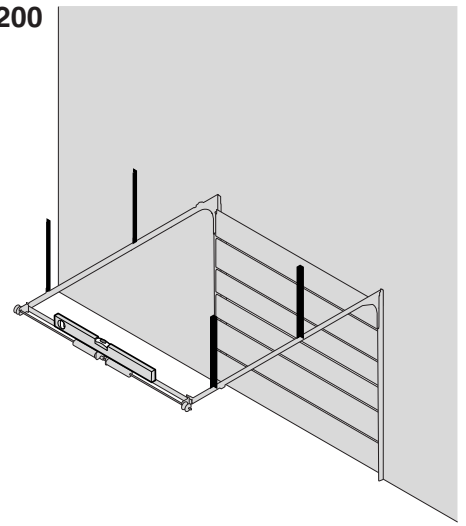


L+R

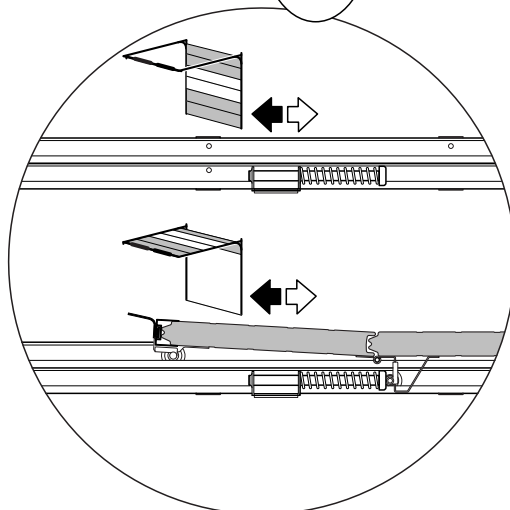
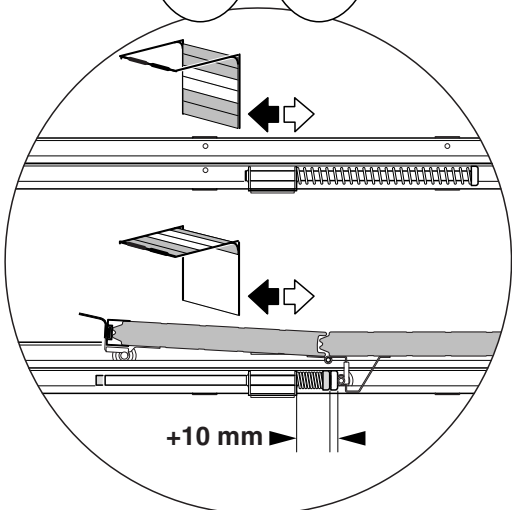
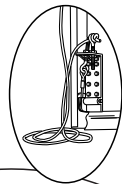
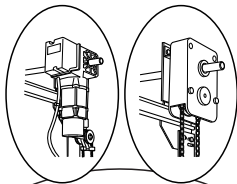
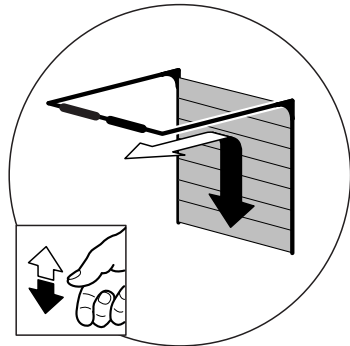
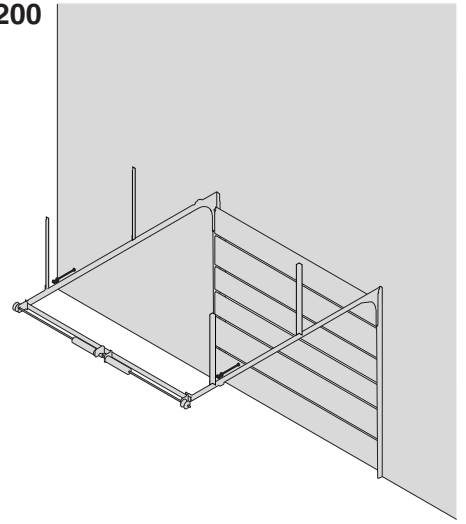
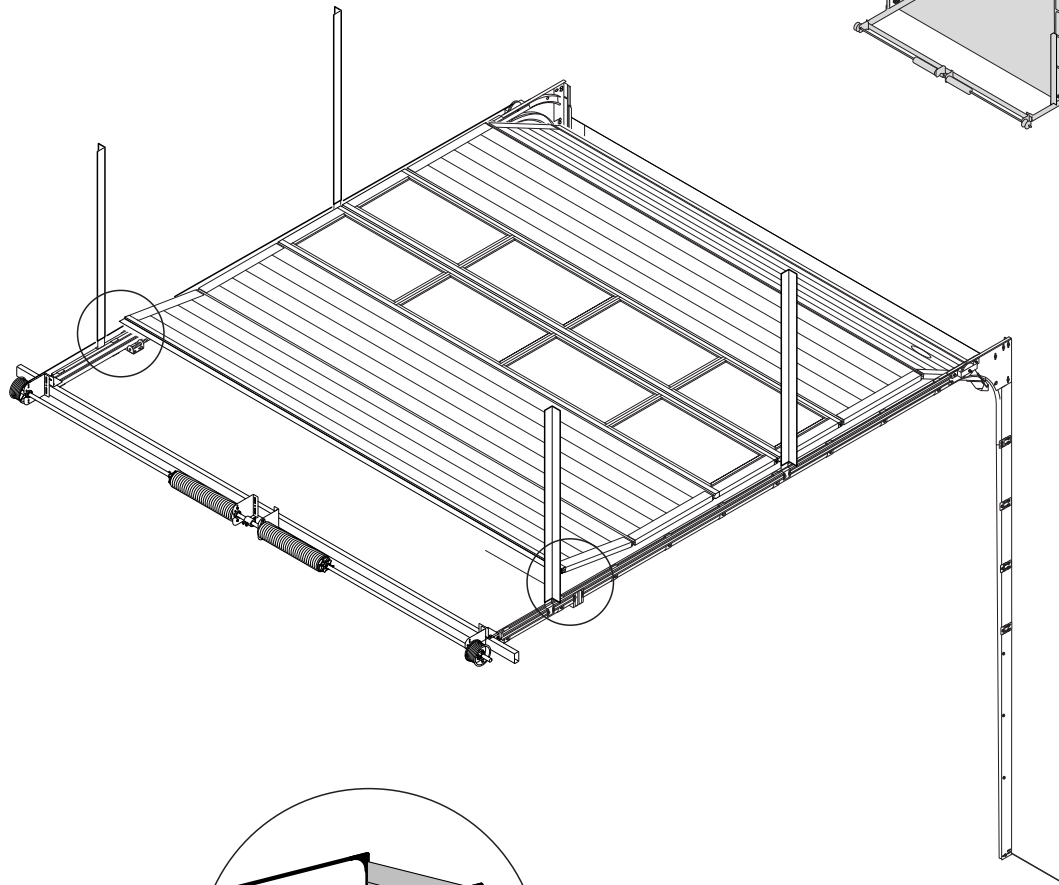


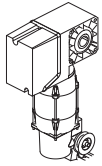
1 2 3

T 200

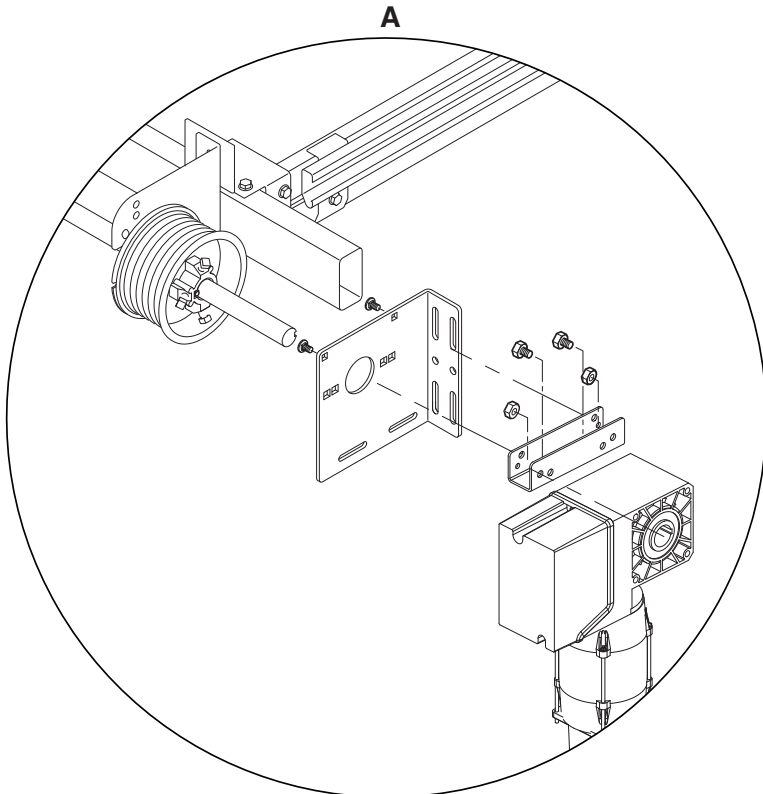
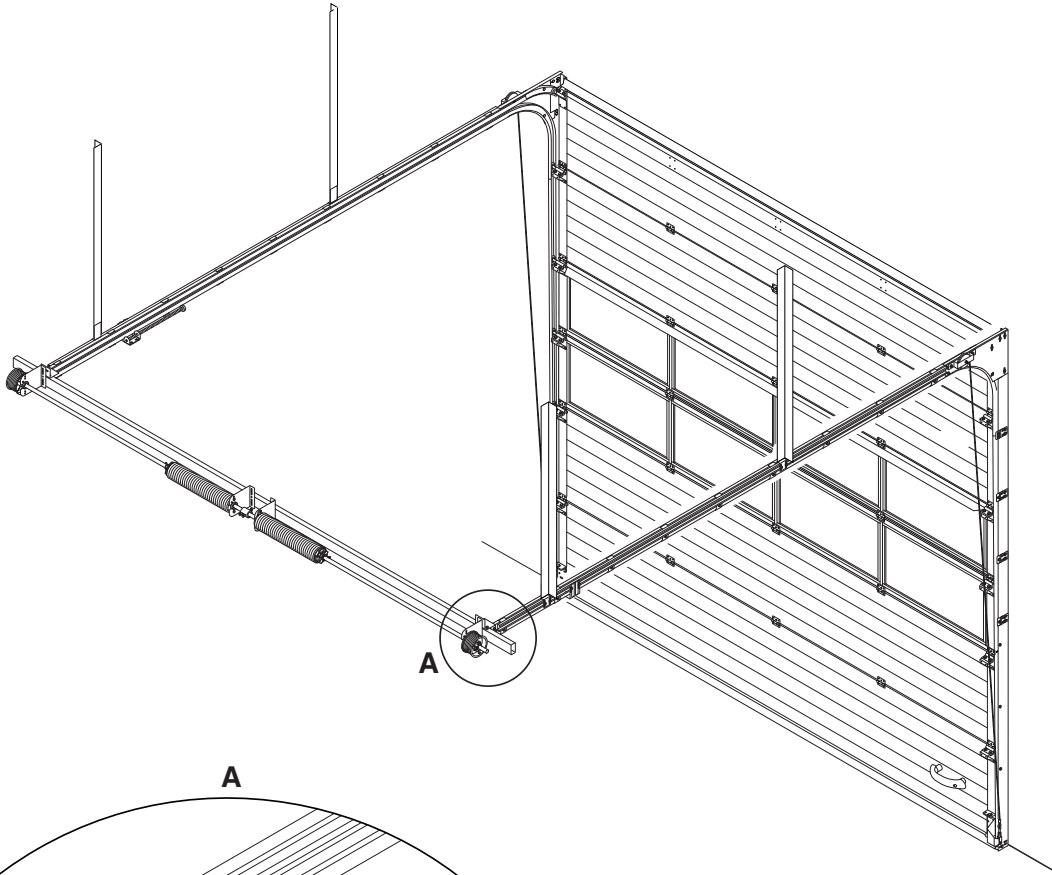
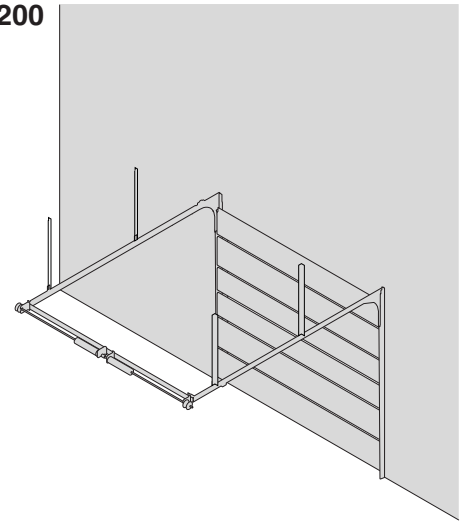


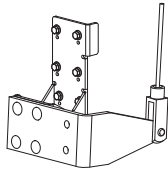
T 200



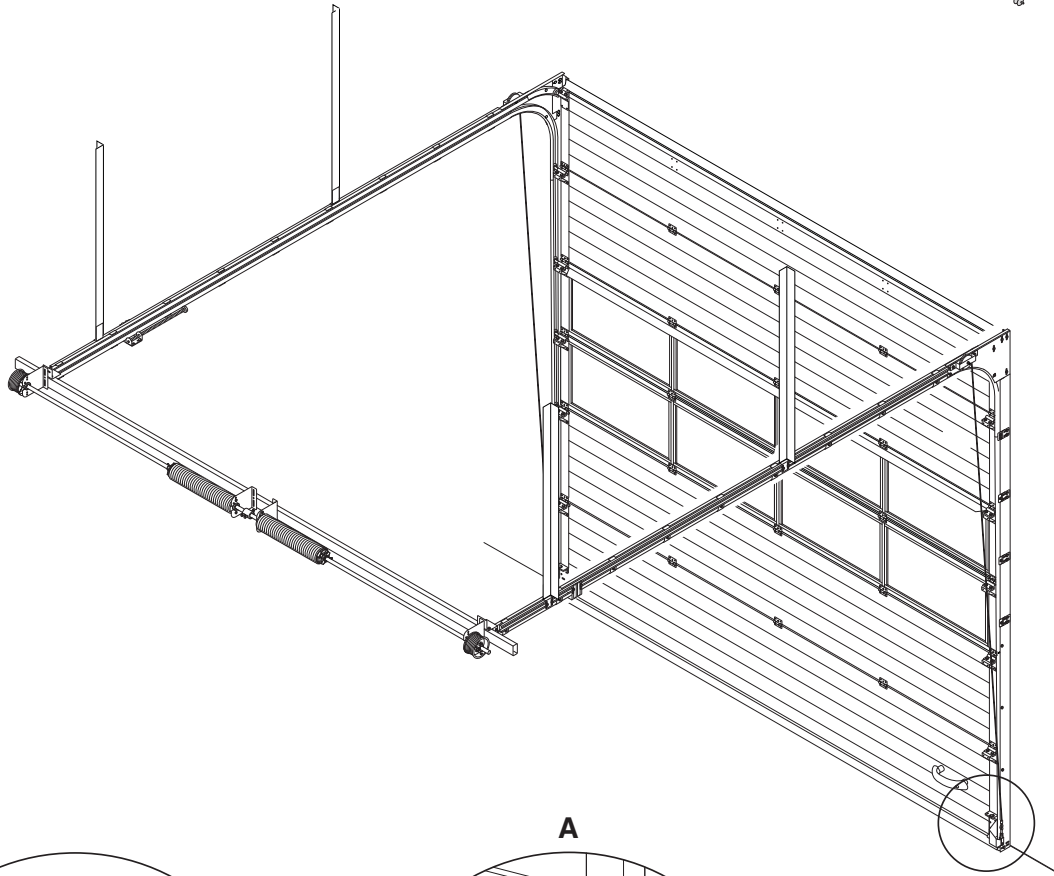
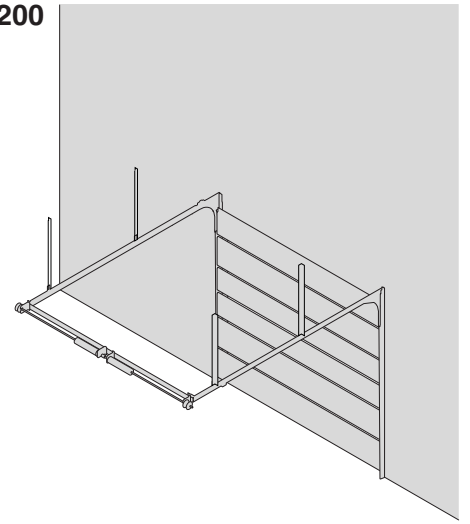


T 200

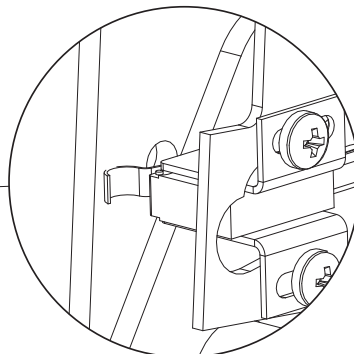
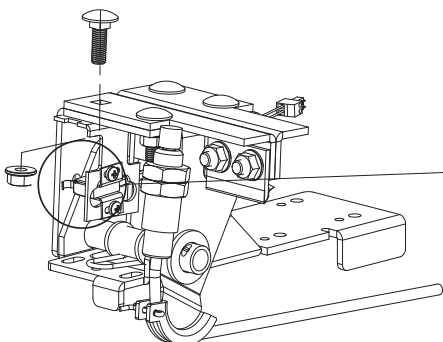
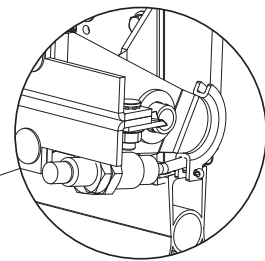
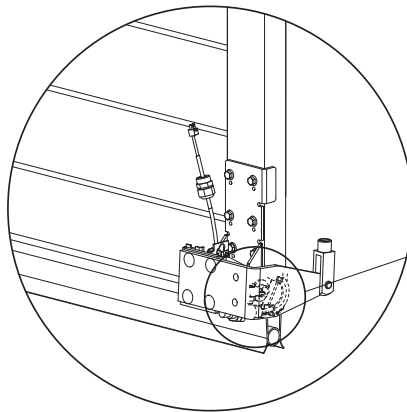
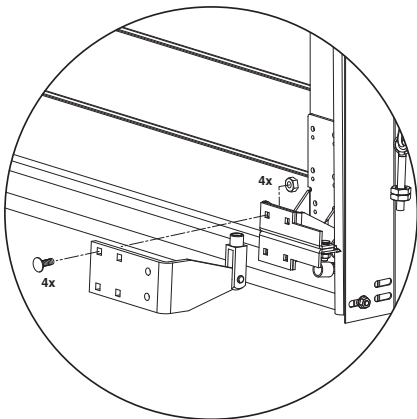




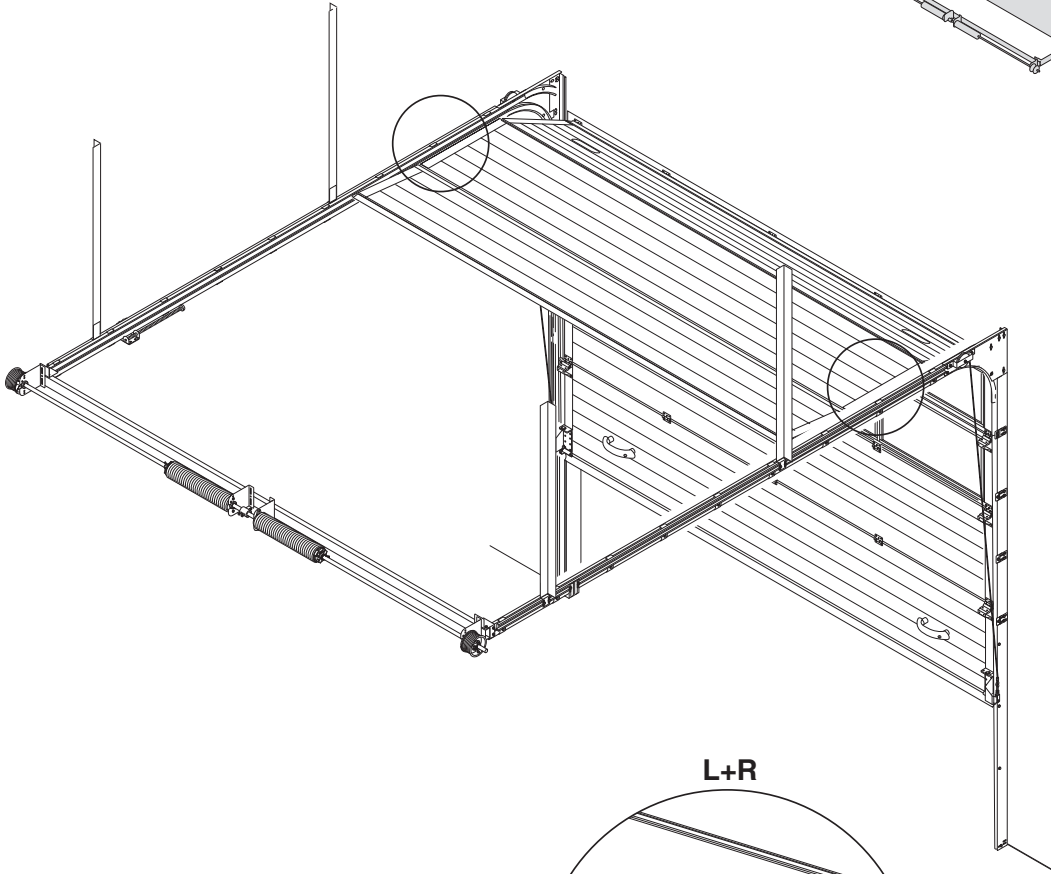
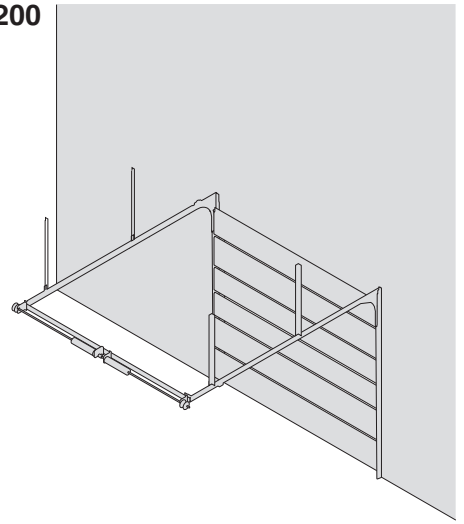
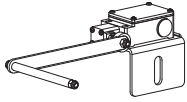
T 200



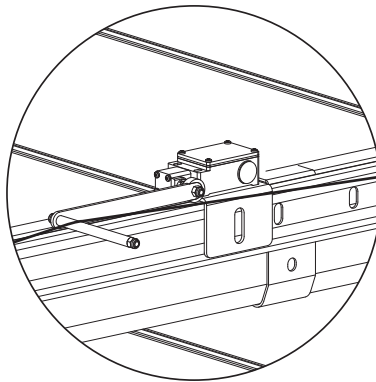
A



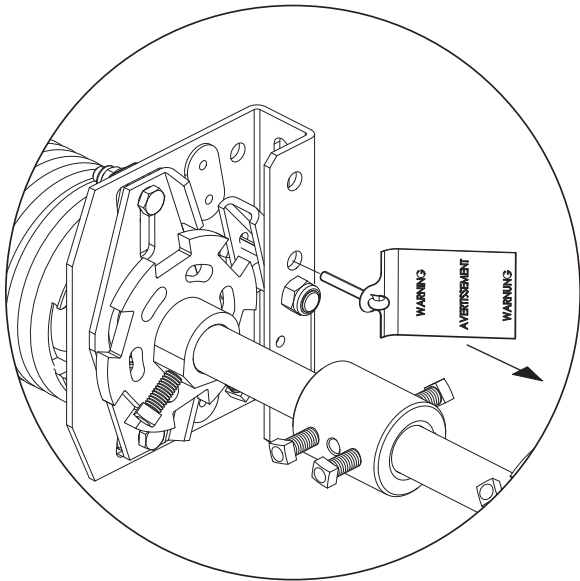
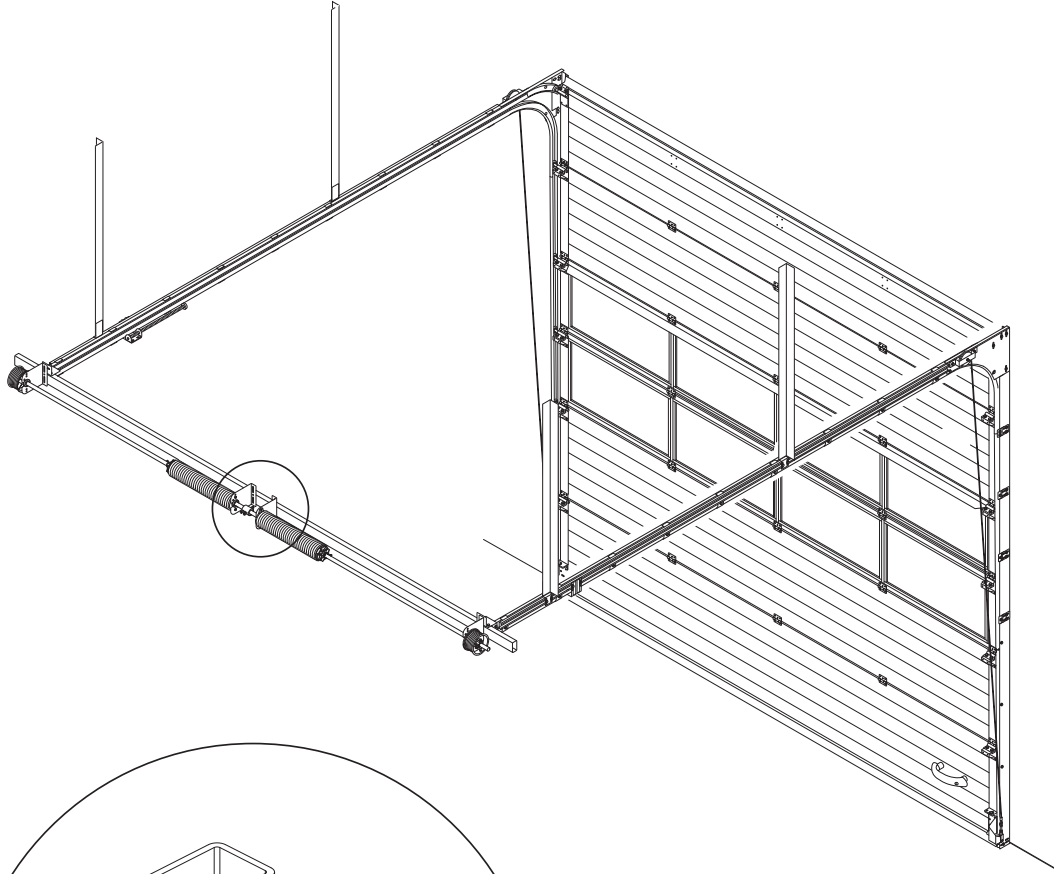
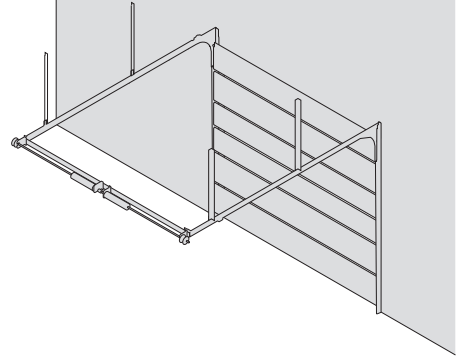
T 200



L+R



T 200



© Copyright Novoferm Nederland B.V.

This manual was prepared and issued by Novoferm Nederland B.V. the Netherlands. It is supplied to approved agents of Novoferm Nederland B.V. All rights are reserved. The information in this document is the property of Novoferm Nederland B.V., the Netherlands. Disclosure of this information or any part of it to third parties is prohibited, except with prior and express written permission of Novoferm Nederland B.V., the Netherlands.