

Assembly instructions

High Speed door **SR Prime / Strong**

Manual de Instalación

Puerta de Alta Velocidad **SR Prime / Strong**

Manual de instalação

Porta de alta velocidade **SR Prime / Strong**

EN

ES

PT



novoferm

Installation manual
High Speed door **SR Prime / Strong**
English



Contents

- 1. Introduction2
- 2. Preparation.....4
- 3. Parts8
- 4. Installation..... 10
- Copyright68

Dear Customer,

Thank you for choosing a Novoferm quality product. This product has been designed and manufactured in accordance with the ISO 9001 quality system. We hope that you are satisfied and that it exceeds your expectations.

The correct operation and appropriate servicing affect the performance and life of the door to a high degree. Operating errors and poor maintenance inevitably lead to the product malfunctioning. Furthermore, a sustainable and safe operation can only be guaranteed if it is used correctly and with careful maintenance.



Note!

Depending on the ordered accessories, the delivery may contain additional manuals, for example for the control of the door. Please read these instructions carefully and thoroughly. Please read the comments carefully and make sure you keep to the safety instructions and warning guidelines in these manuals.

+++ WARNING +++ WARNING +++ WARNING +++

1. Introduction

EN



IMPORTANT!

- The area of application for this industrial SpeedRoller door is set out in EN 13241
- Upon operating the door, the qualified expert must check for potential hazards and satisfy himself that the door is balanced and functioning properly and can be operated by hand as per EN 12604 and EN 12453
- Maintenance should be performed at least every year or 100,000 cycles.
- Annual maintenance that is not carried out by a qualified service centre using original parts, will void the warranty. (Please ask your dealer).

+ IMPORTANT +++ IMPORTANT +++ IMPORTANT +

1.1 General instructions

- Read the installation manual thoroughly before beginning to install the product! Note all comments and take the safety and warning instructions very seriously!
- Make sure that the generally applicable legal and other mandatory regulations for accident prevention and environmental protection, national regulations and approved technical regulations for safe and proper execution of the work are respected.
- The qualified expert is responsible for checking if the supplied fixing materials are suitable for the building's structure.
- Keep to the sequence given in the assembly drawings!
- Always use the correct tools!
- Only perform work on the industrial door when the door is put out of service.
- Pay special attention to the dangers that can arise when tensioning the springs: use special tools!
- Failure to follow these instructions may result in serious injury or material damage!
- The used components are manufactured from high quality, durable and solid materials. Nevertheless, during the installation of the door caution is necessary to avoid damage.

- Replace any defective parts by original spare parts only, otherwise the safe and proper operation of the door can not be guaranteed. Also, the warranty is no longer available!

1.2 Opening construction and mounting

Install the SpeedRoller door on a steel or concrete structure that is strong enough to support the forces of wind. Installation on masonry, plaster concrete etc. is strongly discouraged. It is recommended to build a solid steel frame first.



Warning

- When mounting the door, parts could fall down, causing injury to persons and damage to objects. Fix the side guides and the top roll carefully when you start assembling.
- When working with high voltage there is a risk of electrocution. Make sure that the electrical installation at the customer complies with the applicable safety requirements.
- Turn off the power before any installation work and secure it against unauthorized switching on. Disable - if present - the lever for emergency opening.
- Never apply high voltage to the control unit, this will lead to irreparable damage to the electronics.
- Only perform welding and grinding work when it is expressly permitted on the current location. A fire or explosion hazard may exist! Provide adequate ventilation for welding or grinding to prevent the explosion of dust and other combustible materials.

+++ WARNING +++ WARNING +++ WARNING +++

1.3 Tolerances

All parts are produced to standard tolerances with the utmost care. The standard tolerance for steel parts is ± 2 mm, and for aluminium ± 1 mm. The maximum tolerance for assemblies is the sum of the tolerances for the various materials.

1.4 Operating Test

- After completing the installation, operation of the door must be checked using the Delivery checklist in the User manual.
- Fill out the Delivery checklist truthfully and sign it.
- Pass this Installation manual together with the User manual and other documentation to the customer.

1.5 Initial use



Warning

A defective door can hurt people or damage property. Only use the door when it is in a faultless condition.

+++ WARNING +++ WARNING +++ WARNING +++

- An electrically powered door may only be put into use subsequent to the issuing of a declaration of conformity.
- This door may only be used at ambient temperatures between -30 and $+40$ degrees Celsius.
- Properly instruct users how to operate the door. Do not permit third parties (visitors for example) to use the door.
- These installation instructions are to be handed over to the customer and must be kept during the whole period of use!
- Do not modify the software of the programmable control system.
- Modification or extension of the product only by the supplier.
- Novoferm is not liable for damage and / or injury caused as a result of actions which are contrary to this manual.



Warning

Movements of the door can hurt people or damage objects.

- Ensure that during the operation of the door no persons or objects are in the range of the door leaf.
- Never grab in the guide, the tension spring, the tension belt or pulley during operation of the door.
- Never place objects against the door or against the roller.
- Never attach parts to the door which increase its weight.
- Never use the door as a hoist to lift people or objects.

+++ WARNING +++ WARNING +++ WARNING +++

1.6 Disassembly

The door should be disassembled by a qualified expert following chapter 4 in reverse order.



Warning

When disassembling the door parts could fall down, causing people to get injured or objects getting damaged. For instance, support the top roll with a forklift before disassembling it.

+++ WARNING +++ WARNING +++ WARNING +++

2. Preparation

EN

2.1 Symbols



Note!



Measuring



Levelling



Measuring out



Drilling



Tightning



Manual operation



Shortening



Forklift truck



Lubricating



Cutting



Reading



G Clamp



Safety helmet



Ty-Rap

①②③, etc. Installation sequence

2.2 Preliminary remarks:

- Do not trail the top roller over the ground
- During the installation, place the top roller on a clean surface
- Do not step on the cloth (door panel!)
- The following instructions apply to standard Novoferm SpeedRoller doors



2.3 The SpeedRoller consists of the following main sections:

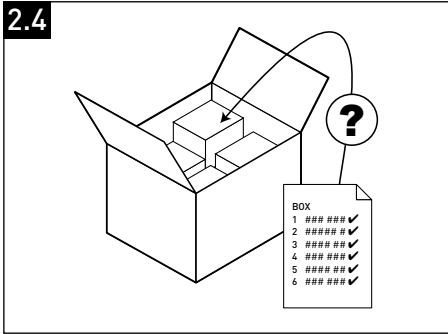



- The top roller: a door roller surrounded by a plastic door panel (cloth) and a bottom beam.
- Two columns that support the top roller and guide the door panel.
- A control box and the slip-on door drive.
- A box with further small parts.

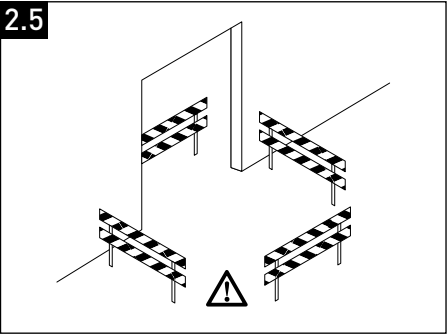
When installing multiple doors you must carefully sort all components!

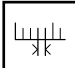
Report any transport damage immediately to Novoferm Netherlands BV.

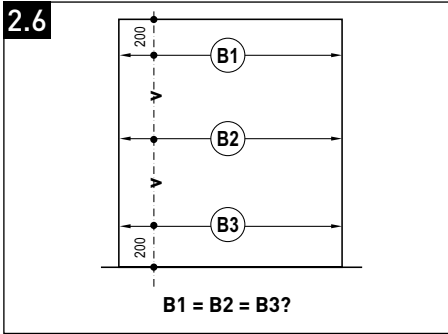
+ NOTE! +++ NOTE! +++ NOTE! +++ NOTE! +++ NOTE! +++ NOTE! +++ NOTE! +++ NOTE! +++ NOTE! +++ NOTE! +

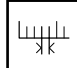


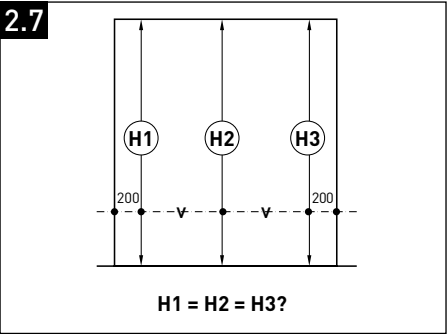
 Ensure that the correct parts have been supplied. When installing multiple doors make sure to sort everything carefully.

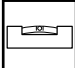


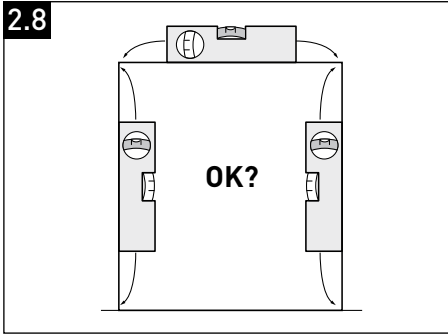
 Make sure that the work area is adequately cordoned off.

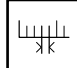
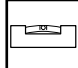


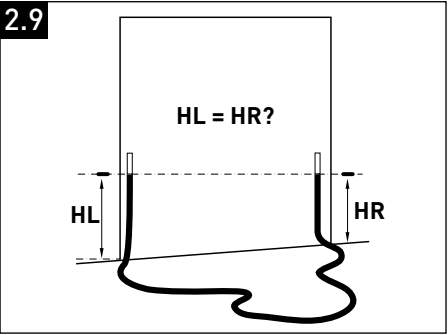
 Make sure that the width of the standard opening.

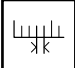
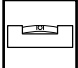



 Make sure that the height of the standard opening.



  Make sure that lintel and frames are straight and level.



   Make sure that the floor within the range of the door is smooth and level.


2.10 **M** Required wall mounting kit (included)


- Each door is supplied with the appropriate, matching mounting kit
- When installing more doors, be sure to use the correct mounting kit
- The included assembly kit is always the most current version
- Make sure the supplied mounting kit is suitable for the structural conditions

++ IMPORTANT +++ IMPORTANT +++ IMPORTANT ++ + IMPORTANT +++ IMPORTANT +++ IMPORTANT ++
Mounting to Iso wall*

Amount	Description	Material	Dimensions
9	Drill screw	Steel	Ø4,8x22
28	Flange nut	Steel	M10
28	Washer		M10
28	Lead Screw Nut		M10
28	Wire rod	Steel	M10

Mounting to Iso wall (Stainless steel version)*

Amount	Description	Material	Dimensions
9	Drill screw	Stainless steel A2	Ø4,8x22
28	Flange nut	Stainless steel A2	M10
28	Washer		M10
28	Brass Lead Screw Nut		M10
28	Wire rod	Stainless steel A2	M10

Mounting to Concrete / Wooden rear wall*

Amount	Description	Material	Dimensions
9	Plug S6		6x30
9	Plate screw	Steel	Ø4,8x25
28	Plug S10		10x50
28	Fender washer	Steel	M8x30x1,3
4	Hanger bolt	Steel	Ø 8x80
24	Hanger bolt	Steel	Ø 8x50

Mounting to Concrete / Wooden rear wall (Stainless steel version)*

Amount	Description	Material	Dimensions
9	Plug		6x30
9	Plate screw	Stainless steel A2	Ø4,8x25
28	Plug		10x50
28	Fender washer	Stainless steel A2	M8x30x1,3
4	Hanger bolt	Stainless steel A2	Ø 8x80
24	Hanger bolt	Stainless steel A2	Ø 8x50

Mounting to Steel rear wall*

Amount	Description	Material	Dimensions
9	Drill screw	Steel	Ø4,8x22
28	Taptitle	Steel	M8x16

Mounting to Steel rear wall (Stainless steel version)*

Amount	Description	Material	Dimensions
9	Drill screw	Stainless steel A2	Ø4,8x22
28	Taptitle	Stainless steel A2	M8x16

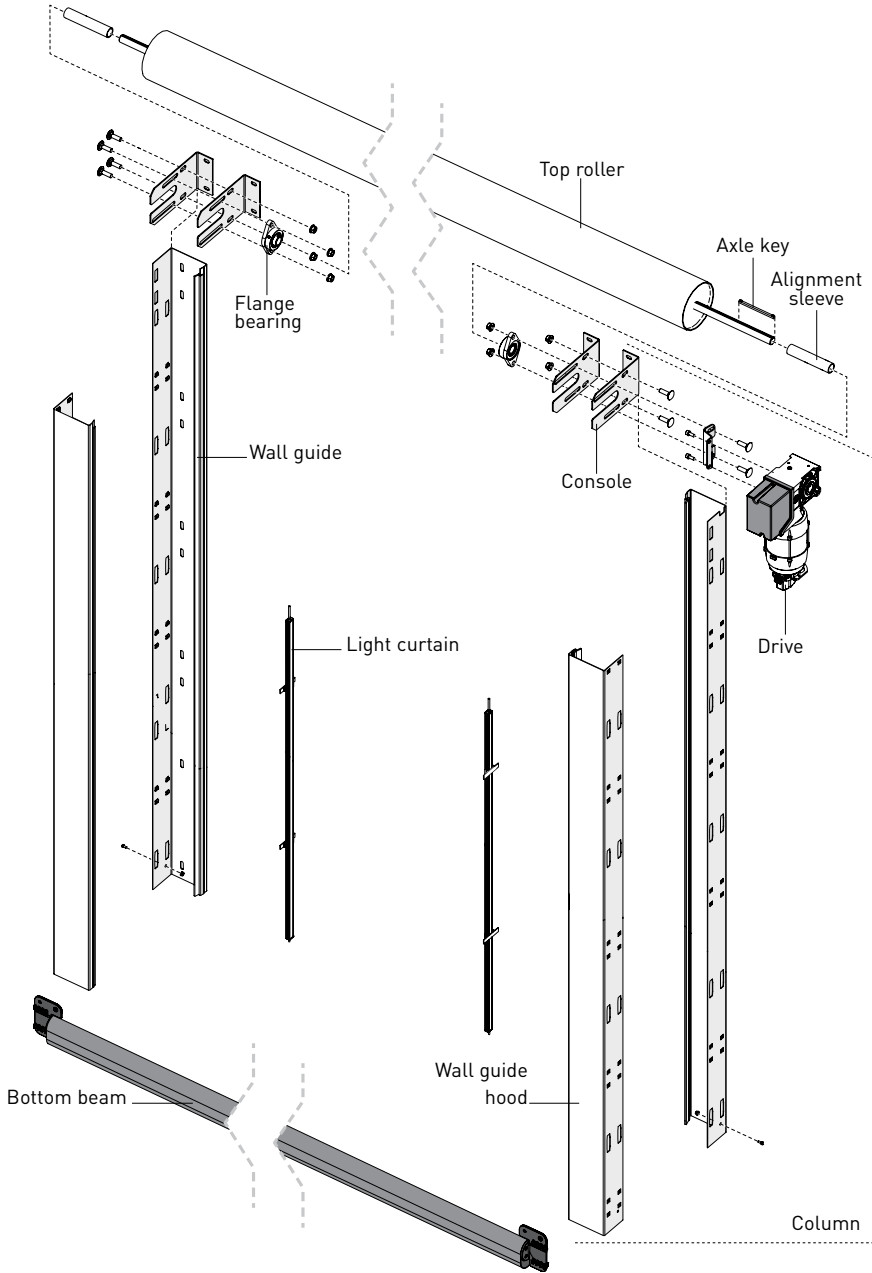
* Subject to change. The supplied mounting kit is always the latest version.

3. Parts

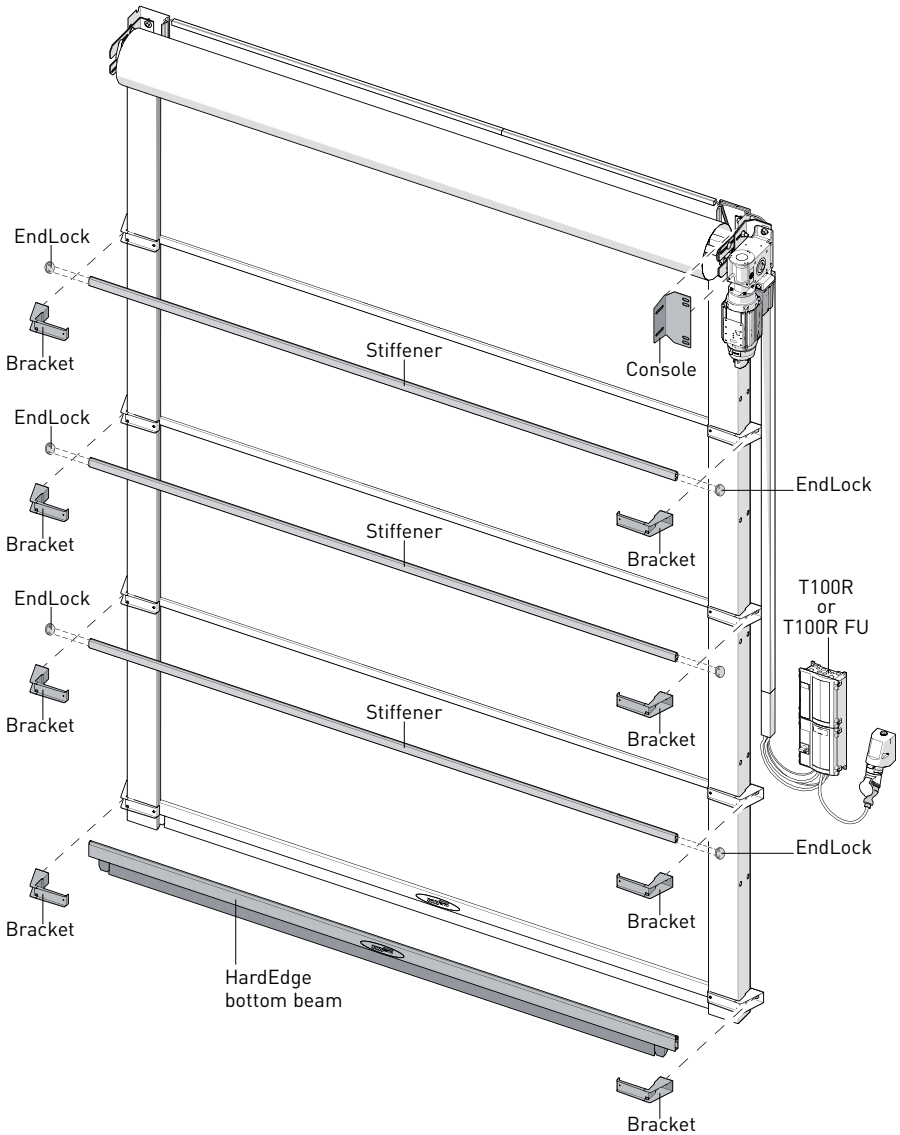
EN

3.1

Exploded view



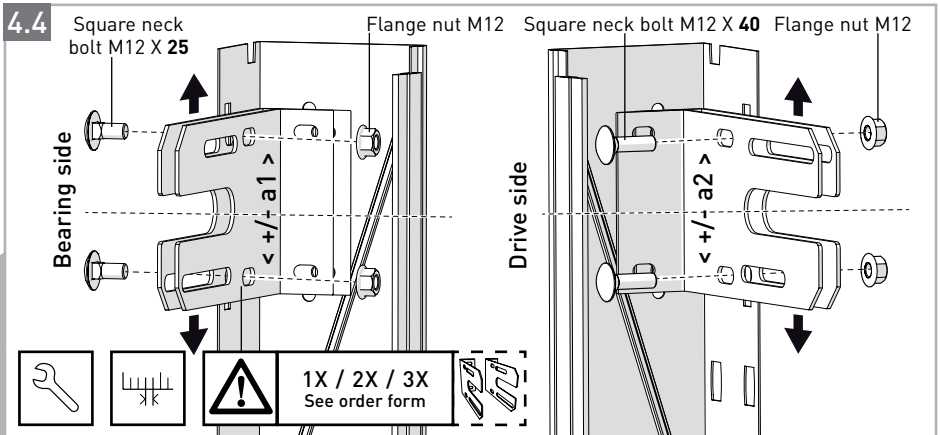
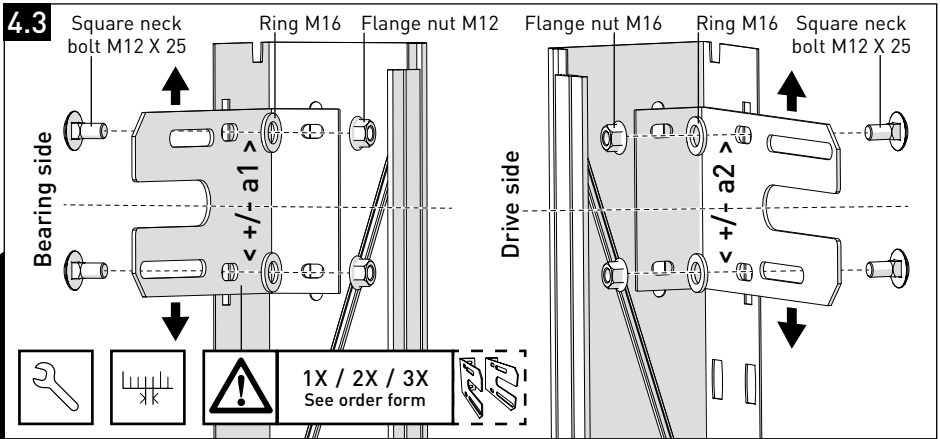
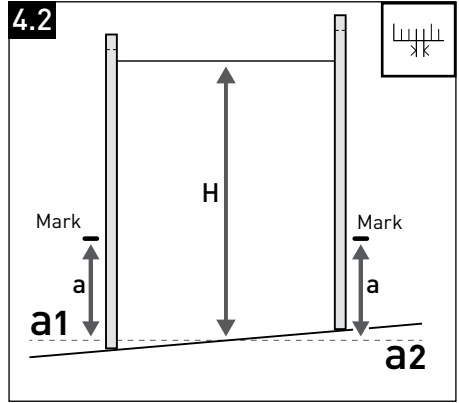
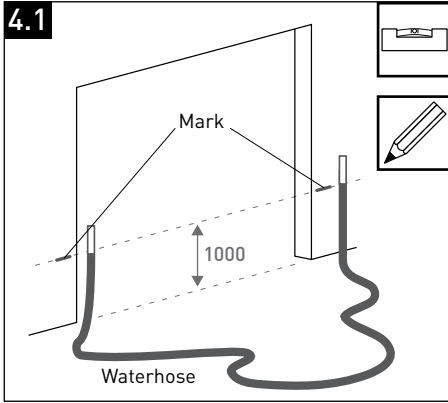
Opties



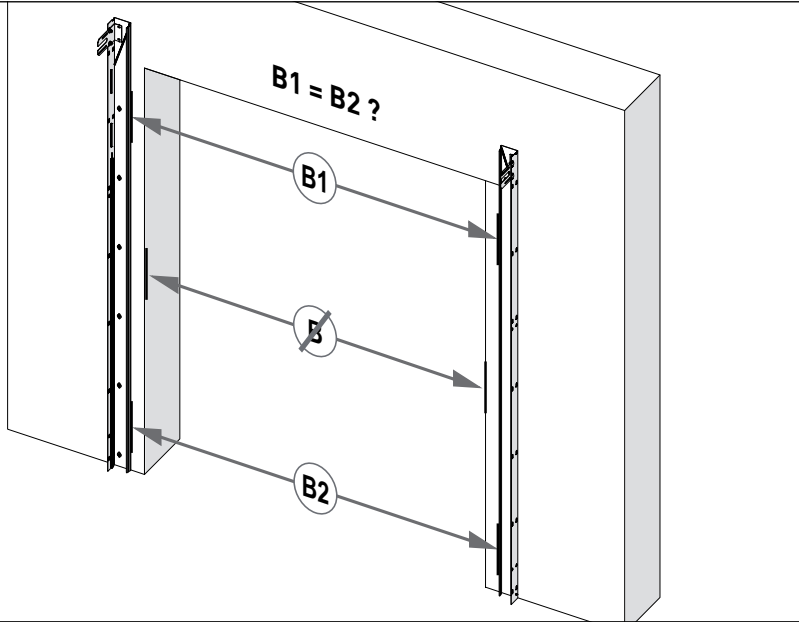
Note: Depending on the design and dimensions of the door the above options may be included. Look at the delivery slip which options apply.

4. Installation

EN

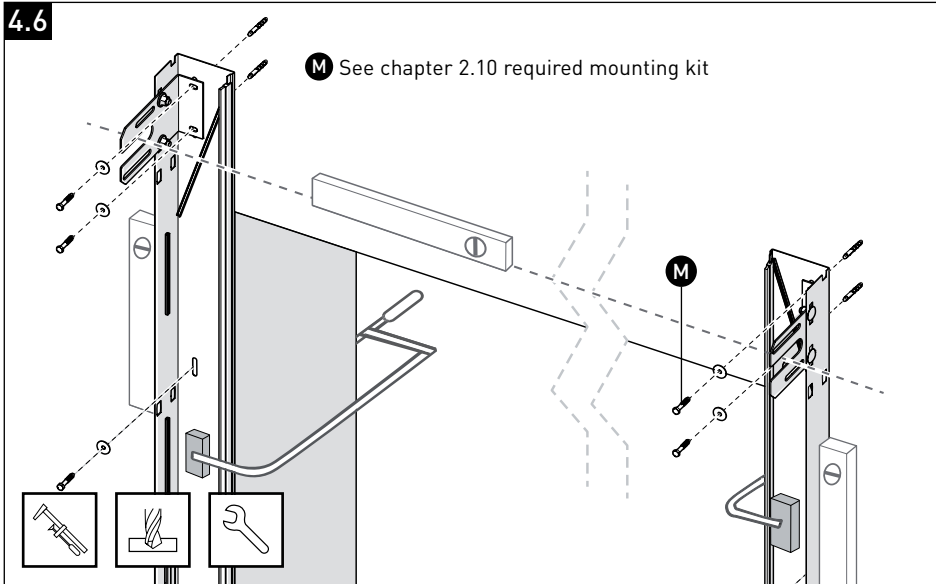


4.5



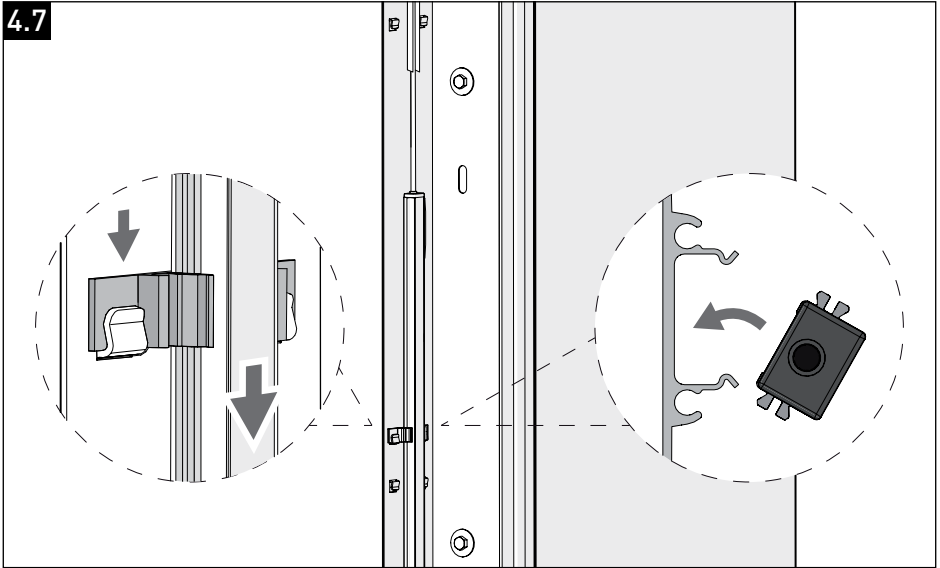
B inside measurement = clear width on the order form.
Note: this may vary from the actual clear width of the building!
Check the inside measurement (B1 and B2) between the wall guides.
This must be the same at each height.

4.6



M See chapter 2.10 required mounting kit

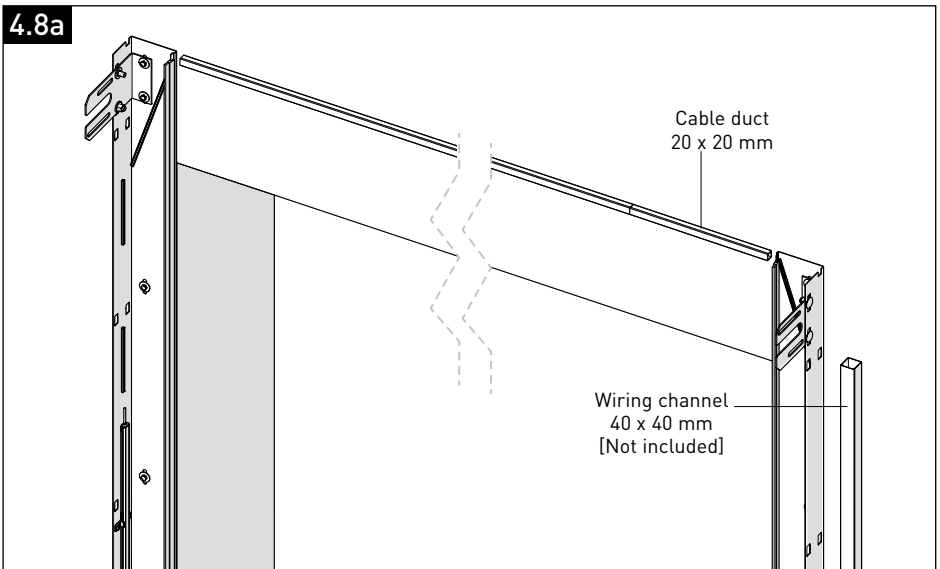
4.7



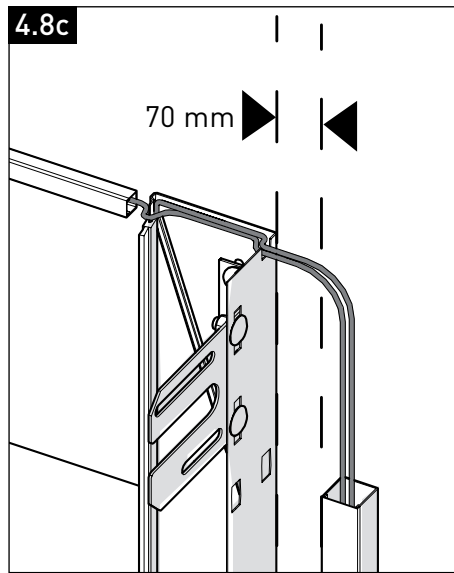
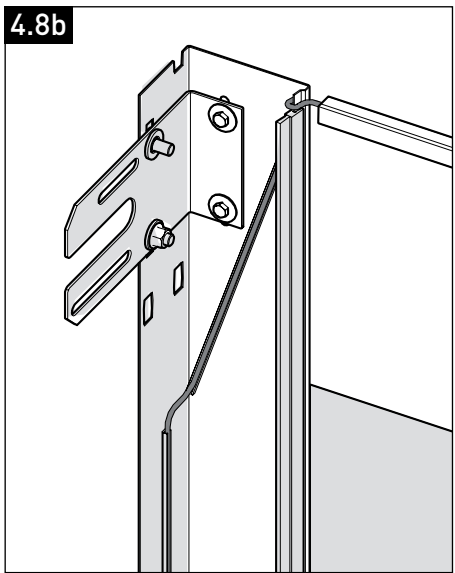
Attach the supplied light curtain to the inside of the columns with the appropriate clips. Slide the light curtain down to the floor.

Please make sure that both sides of the light curtain are aligned exactly horizontal relative to each other.

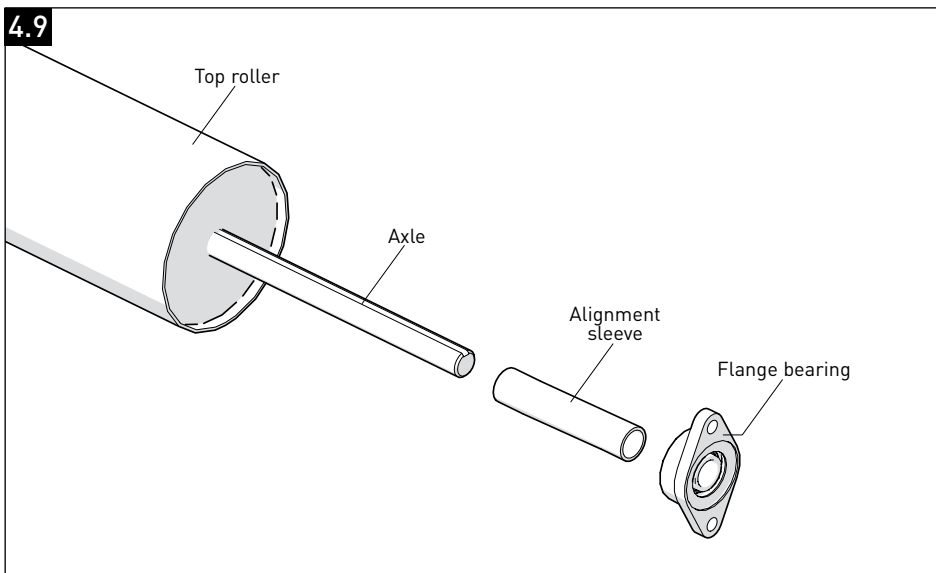
4.8a



Attach the enclosed 20 x 20 mm cable duct(s) to the wall as indicated. Use the included screws. Ensure proper cable guidance to the control box, see also 4.8b and 4.8c.

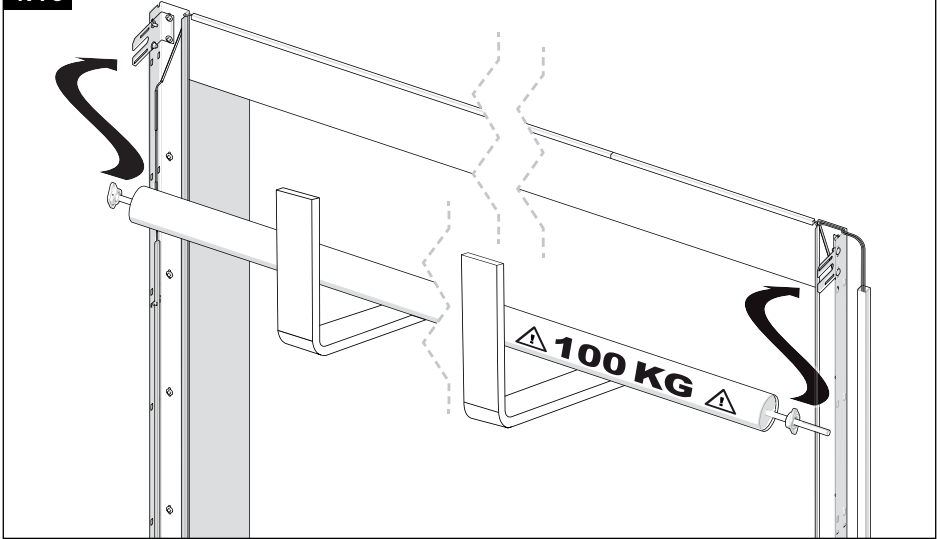


Feed the cables of the light curtain through the cable ducts and the wiring channel to the control box. Let the wiring harness protrude 70 mm on the drive side, so that there is enough space to mount reinforcement brackets.



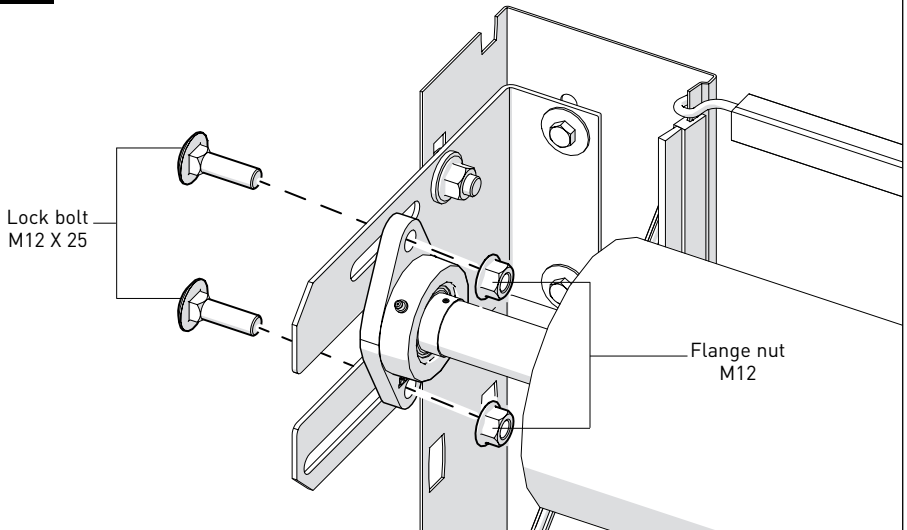
Place the alignment sleeves and flange bearings on the axle on both sides of the top roller.

4.10



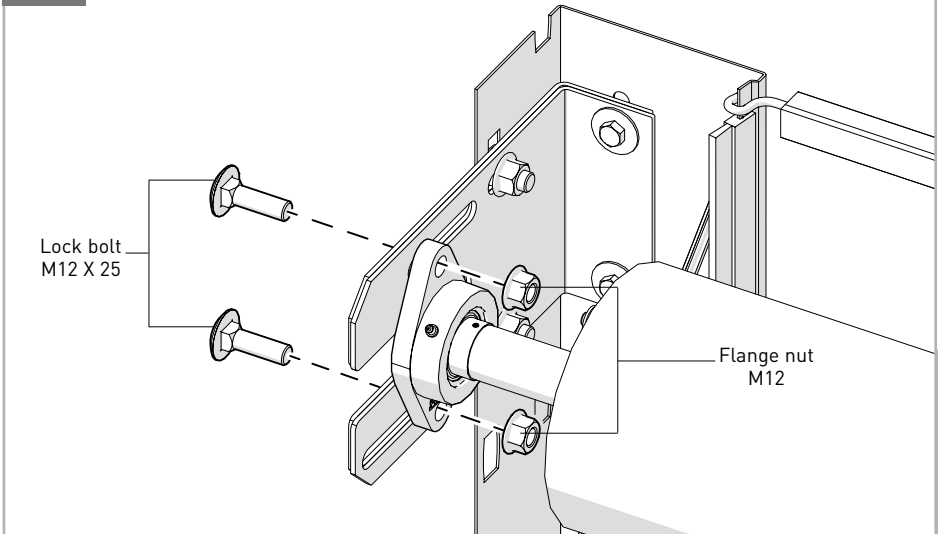
Lift the top roller upwards using a forklift truck and slide the axles in the consoles. Make sure that the alignment sleeves and flange bearings are placed on the inside of the consoles.

4.11a



Attach the flange bearings with the included locking bolts and self-locking nuts. Make sure that the top roller is level.

4.11b

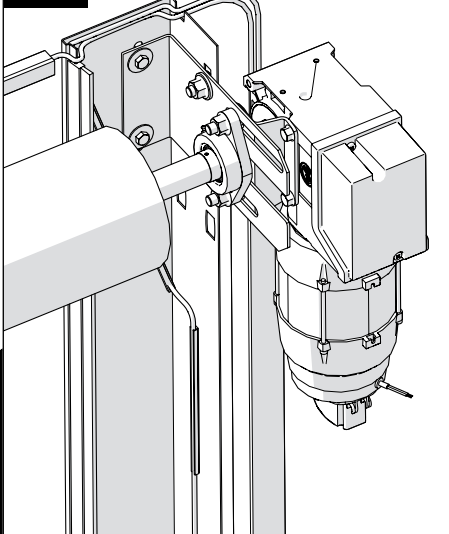


[Strong]



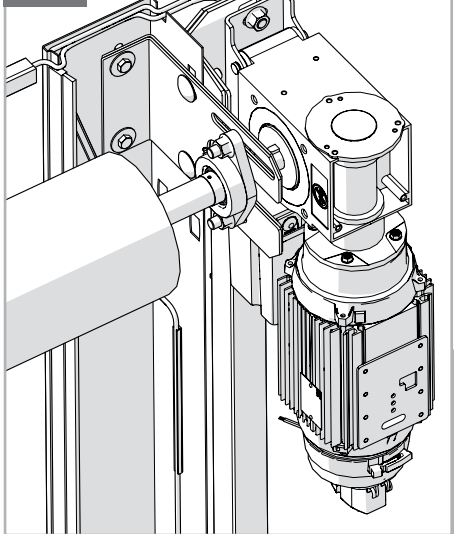
Attach the flange bearings with the included locking bolts and self-locking nuts. Make sure that the top roller is level.

4.12a



[Prime]

4.12b



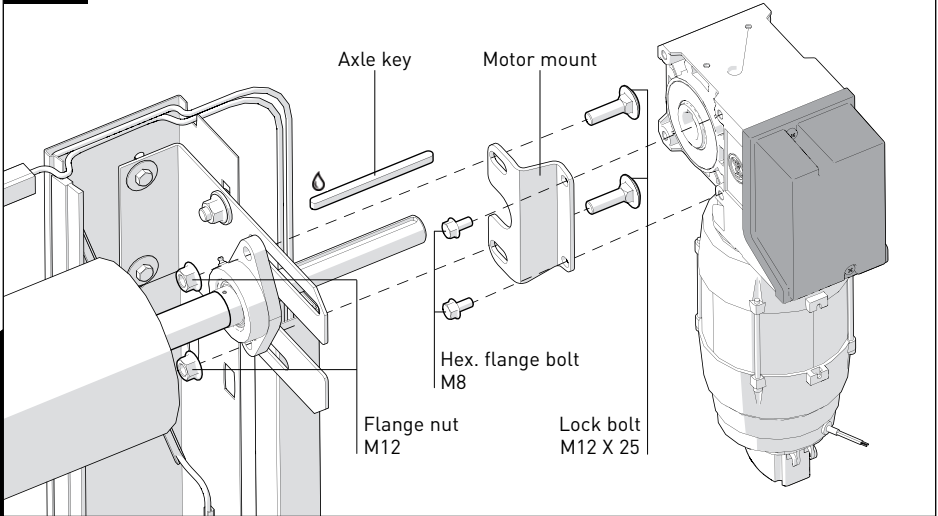
[Strong]



Look at the order form for the number of motor mounts that apply.
Caution: First attach the motor mount(s) to the column, then mount the drive!
 See 4.13

4.13a

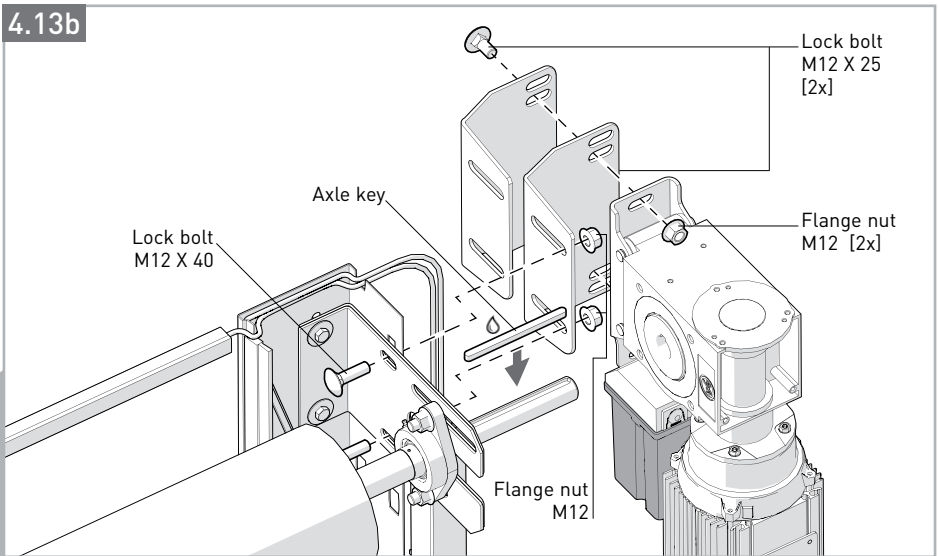
[Prime]



Slide the key in the axle keyway. Attach the motor mount to the console and to the flange bearing. Then attach the drive to the motor mount. Use M12 lock bolts and flange nuts. Add grease to slide the drive over the axle more easily.

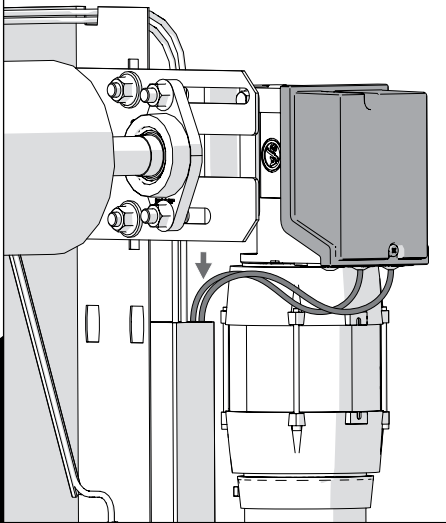
4.13b

[Strong]



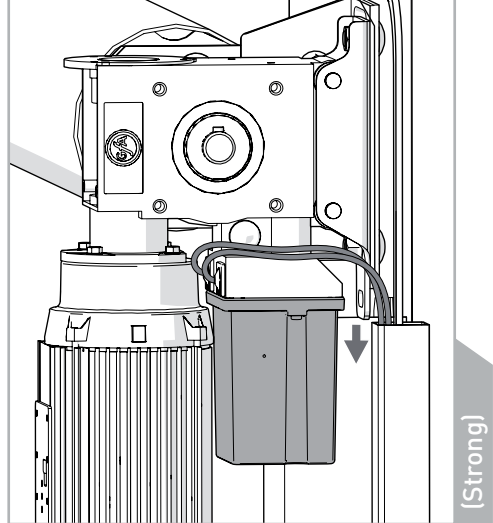
Slide the key in the axle keyway. Attach the motor mount(s) to the console and to the column. Then attach the drive to the motor mount(s). Use M12 lock bolts and flange nuts. Add grease to slide the drive over the axle more easily.

4.14a

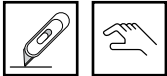


[Prime]

4.14b

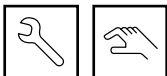
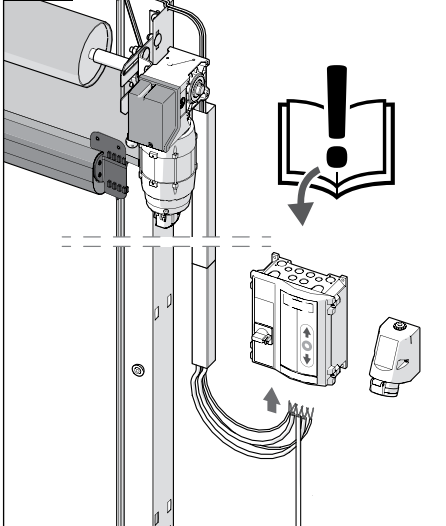


[Strong]



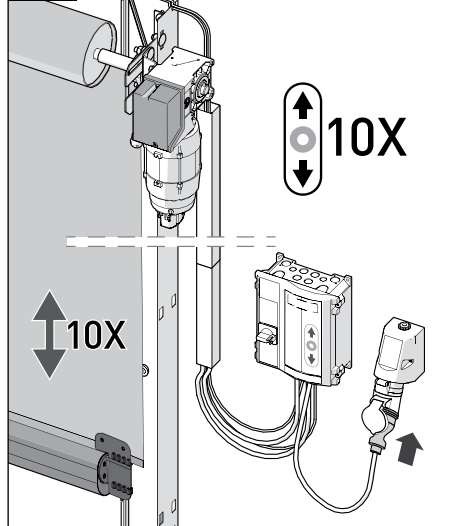
Feed the drive cables down into the vertical wiring channel towards the control box.

4.15



For installation of the operating system, refer to the manual supplied with the control box. For connecting the light curtain see wiring diagram 4.17 on the next page.

4.16

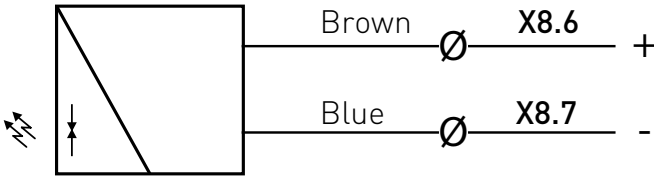


Wiring diagram Telco Light curtain

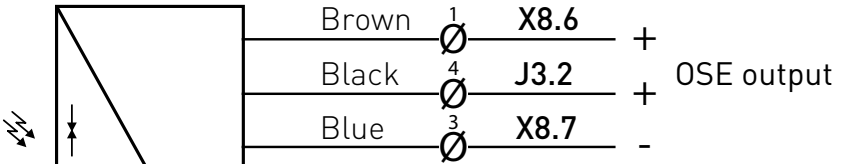
Connections: Power supply + Brown
 Power supply - Blue
 SGR OSE output Black

Refer to the manual of the controller to find the correct parameter settings.

T100 R

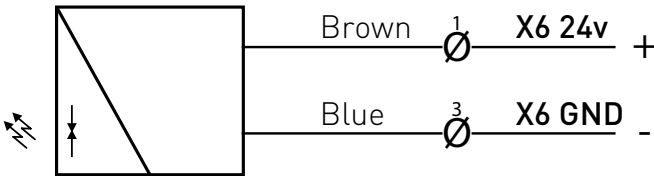


SGT 15 OSE

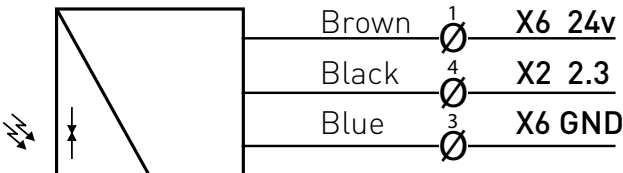


SGR 15 OSE

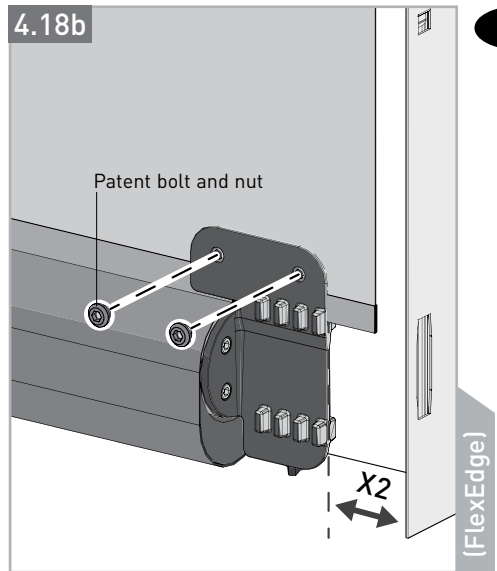
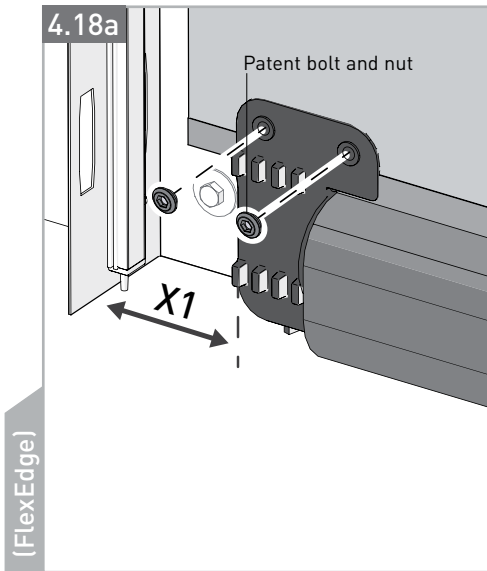
TS971



SGT 15 OSE

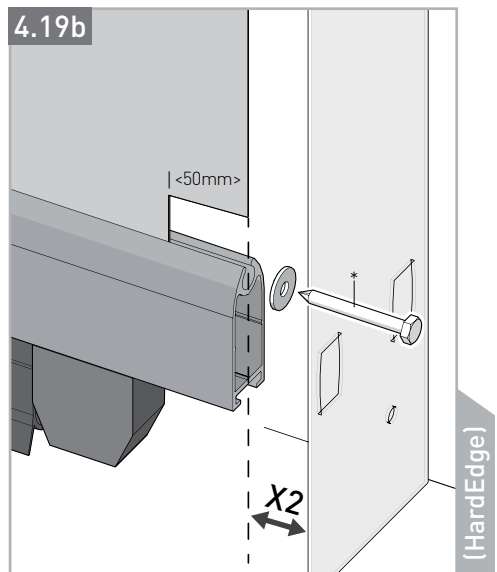
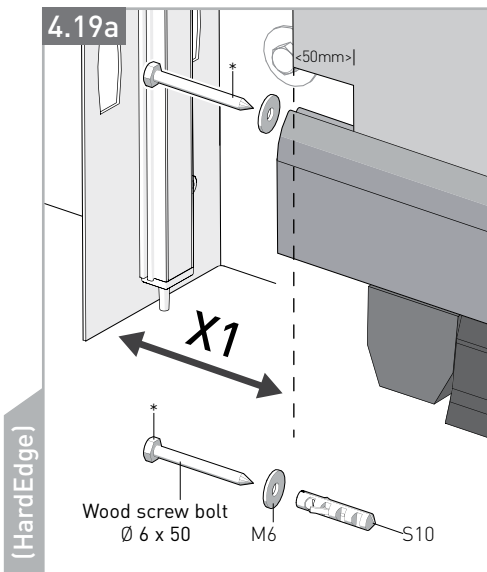


SGR 15 OSE



Center the **FlexEdge** bottom beam: $X1 = X2!$

Attach the **FlexEdge** bottom beam with the included Patent bolts and nuts.

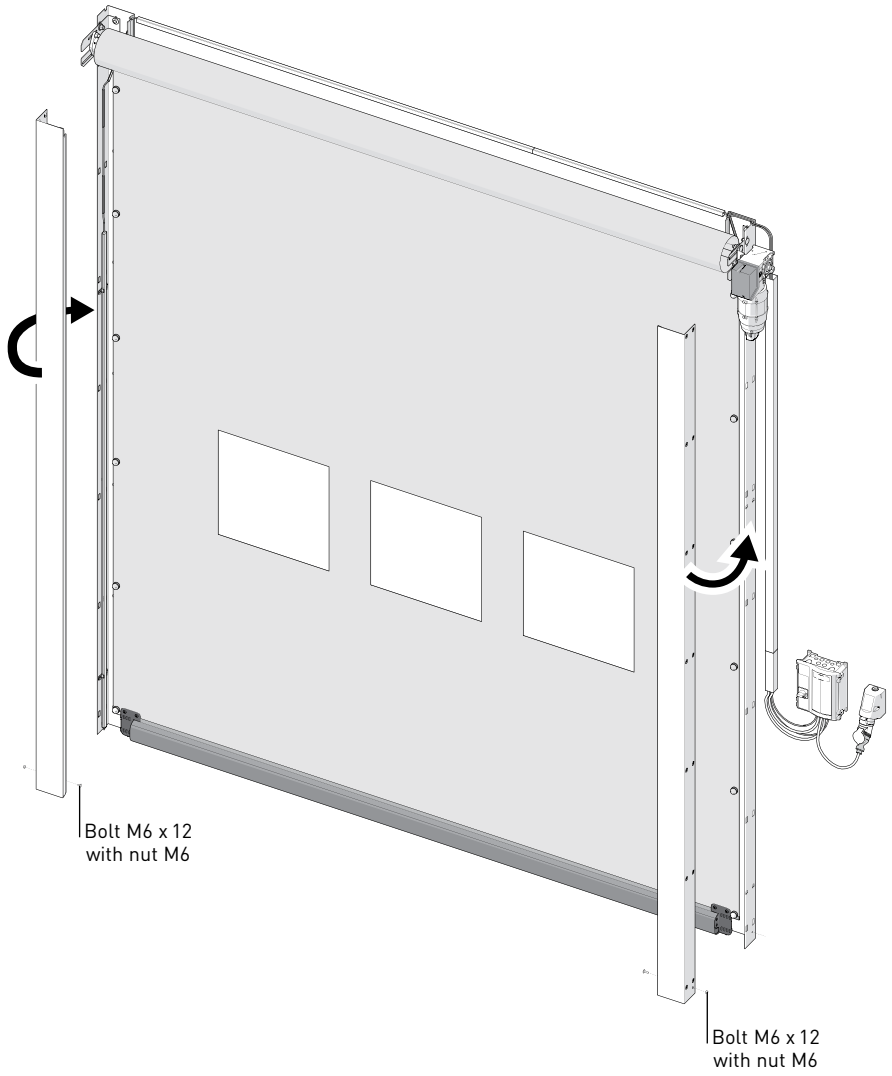


Center the **FlexEdge** bottom beam: $X1 = X2!$

Attach the **FlexEdge** bottom beam with the included Ø 6 x 50 wood screw bolts, M6 rings and S10 plugs.

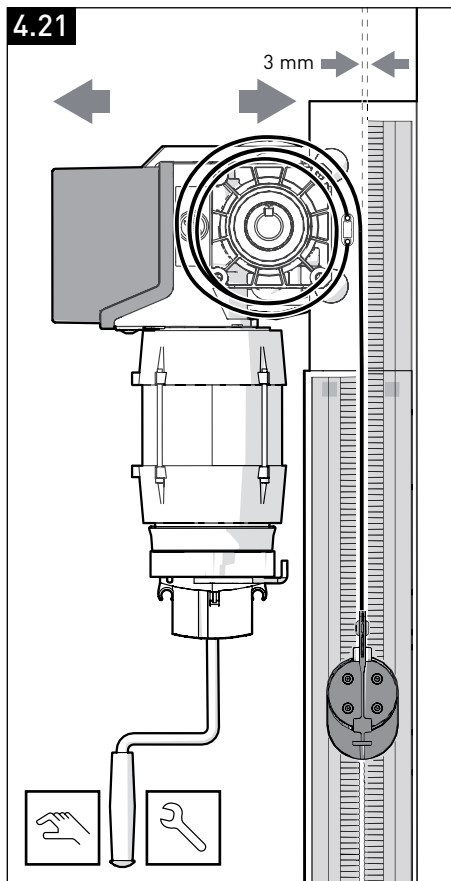
4.20

Installing wall guide covers



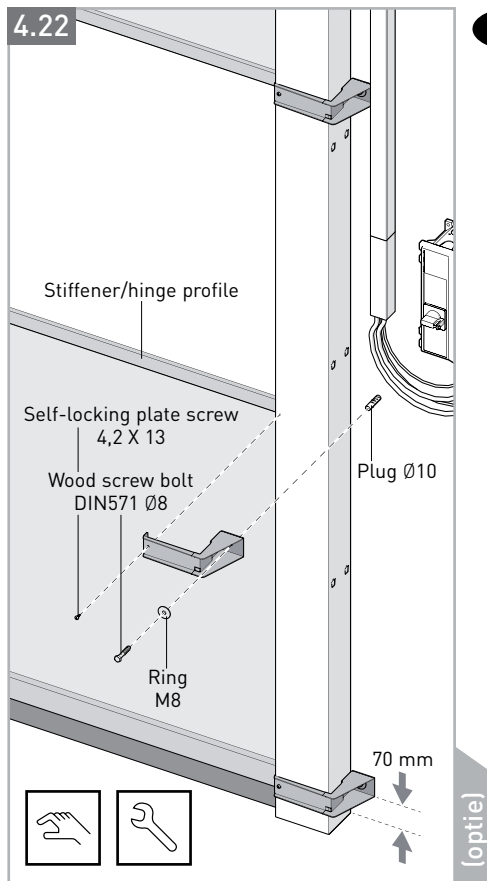
Hook the wall guide cover caps onto the wall guides and secure them with a M6 x 12 bolt and a nut about 50 mm above the floor.

4.21



Roll up the door leaf all the way. Align the upper roller and drive horizontally, so that the widest part of the upper roller is 3 mm away from the rear side seal.

4.22



If your door is fitted with reinforcement brackets, clamp them around the wall guide columns at the level of the stiffener profiles and at the lower beam. Attach them with the enclosed mounting material.

With this the mechanical part of the installation is finished. For the installation of the operating system please see the relevant manual. The operating system can be supplied with a magnetic switch or with a frequency controller. Please make sure you are using the correct manual.

This installation manual must be handed to the customer and must be kept in a safe place throughout the whole period of use!

Manual de instalación

Puerta de Alta velocidad **SR Prime / Strong**

Español



Índice

1. Introducción	24
2. Preparación	26
3. Piezas.....	30
4. Instalación.....	32
Copyright	68

Estimado Cliente:

Gracias por elegir un producto de calidad Novoferm. Este producto se ha diseñado y fabricado de acuerdo con el sistema de calidad ISO 9001. Esperamos que supere sus expectativas.

El correcto manejo y el mantenimiento adecuado influyen en gran medida en el rendimiento y la vida útil de la puerta. Los errores de manejo y el mantenimiento deficiente provocan inevitablemente averías en el producto. Además, solo se puede garantizar un funcionamiento duradero y seguro si se utiliza correctamente y se realiza un mantenimiento cuidadoso.



¡Observación!

En función de los accesorios que se pidan, la entrega puede contener manuales adicionales, como por ejemplo para el control de la puerta. Por favor, lea atenta e íntegramente estas instrucciones. Por favor, lea atentamente los comentarios y asegúrese de observar las instrucciones de seguridad y directrices de advertencia de estos manuales.

+++ ADVERTENCIA +++ ADVERTENCIA +++

1. Introducción

ES



¡Importante!

- El área de aplicación de la presente puerta industrial se establece en la norma EN 13241
- En la puesta en marcha inicial de la puerta, el experto cualificado deberá comprobar la existencia de posibles peligros y cerciorarse de que la puerta está equilibrada y funciona correctamente, de manera que se pueda operar de forma manual de acuerdo con la norma EN 12604 y EN 12453
- Se debe llevar a cabo un servicio de mantenimiento anualmente o cada 100.000 ciclos, lo que ocurra antes.
- El mantenimiento anual que no se lleve a cabo por un centro de asistencia cualificado que use piezas originales invalidará la garantía. (Por favor, pregunte a su distribuidor.)

+++ IMPORTANTE +++ IMPORTANTE +++

1.1 Instrucciones generales

- ¡En primer lugar, léase todo el manual de instalación antes de iniciar la instalación! ¡Por favor, lea los comentarios y fíjese especialmente en las instrucciones de seguridad y las directrices de advertencia!
- Por favor, tenga en cuenta que se deben observar en todo momento las normas aplicables en general, las de carácter obligatorio y otras normas vinculantes para la prevención de accidentes y la protección del medio ambiente, las normas nacionales, así como los reglamentos técnicos reconocidos para la realización segura y experta de trabajos.
- Compruebe que las herramientas de montaje suministradas para la situación de construcción son adecuadas.
- Siga el orden tal y como se muestra en los dibujos de instalación.
- ¡Utilice siempre herramientas apropiadas y de buena calidad!
- Lleve a cabo trabajos en la puerta industrial solo cuando ésta no esté en funcionamiento.
- Preste especial atención a todos los peligros que puedan derivarse de tensar los resortes. ¡Utilice siempre herramientas especializadas para ello!
- Si no observa estas instrucciones se pueden producir lesiones o daños graves en el equipo.

- Los componentes están hechos de materiales de gran calidad, sostenibles y duraderos. Sin embargo, durante la instalación se deben tomar todas las precauciones necesarias para evitar daños.
- Sustituya siempre las piezas defectuosas por piezas originales, de lo contrario no se podrá garantizar un funcionamiento seguro y correcto de la puerta, y existe el riesgo de que se invalide la garantía.

1.2 Subestructura y accesorios

Instale la puerta enrollable rápida en una estructura de acero o cemento que sea lo suficientemente fuerte como para absorber la carga del viento. Se recomienda encarecidamente que no se instale la puerta enrollable rápida en hormigón de yeso, etc. Le recomendamos que construya primero una sólida estructura de acero.



Advertencia

- Durante la instalación hay riesgo de que se caigan los componentes, lo que puede causar lesiones a personas o dañar objetos. Fije las columnas y el rodillo superior con cuidado durante la instalación.
- Hay riesgo de electrocución en caso de que haya contacto con la tensión de red. Asegúrese de que la instalación eléctrica en el local del cliente cumpla los requisitos de seguridad aplicables.
- Durante todos los trabajos en las puertas, asegúrese de que la corriente esté desconectada y protéjala contra un uso no autorizado. Desconecte la palanca de apertura de emergencia (si hay).
- No conecte nunca la fuente de alimentación de CA al control, pues provocará un daño irreparable en la electrónica.
- Realice trabajos de soldadura y amolado solo cuando cuando éstos estén permitidos expresamente. ¡Tenga cuidado, ya que puede haber riesgo de incendio o explosión! Asegúrese de que haya suficiente ventilación para soldadura o amolado, ya que el polvo y otras sustancias inflamables pueden suponer un riesgo de explosión.

+++ ADVERTENCIA +++ ADVERTENCIA +++

1.3 Tolerancias

Todas las piezas se fabrican con la máxima precisión, dentro de las tolerancias estándar.

1.4 Prueba de funcionamiento

- Después de completar la instalación, se debe comprobar el funcionamiento de la puerta mediante la lista de inspección final de Guía del usuario.
- Cumplimente la lista de inspección final con sinceridad y fírmela.
- A continuación, entregue el manual de instalación al cliente, junto con toda la documentación restante.

1.5 Puesta en Marcha inicial



Advertencia

Una puerta defectuosa puede causar lesiones a personas o daños a objetos. Utilice la puerta solo cuando se encuentre en un estado impecable.

+++ ADVERTENCIA +++ ADVERTENCIA +++

- Una puerta con control eléctrico solo se puede poner en marcha después de que se haya emitido con un Certificado de Conformidad.
- Esta puerta solo se puede utilizar a temperaturas ambiente de entre 0 y +40 grados centígrados.
- Instruya a los usuarios sobre cómo accionar la puerta. No permita a terceros (por ejemplo visitantes) que accionen la puerta.
- Este manual de instalación se debe entregar al cliente y se debe guardar en un lugar de fácil acceso durante todo el periodo de utilización.
- No modifique el software del sistema operativo programable.
- El proveedor será el único que puede modificar o agregar algo al producto.
- Novoferm Nederland BV no se hace responsable de ningún daño causado por uso inadecuado o llevar a cabo de forma incorrecta las instrucciones de instalación.



Advertencia

Los movimientos de la puerta pueden herir a personas o dañar objetos.

- Asegúrese de que cuando la puerta se mueva no haya personas ni objetos dentro del ámbito de alcance de la puerta.
- No toque los rieles guía, el resorte tensor, la correa tensora o la polea de retorno cuando la puerta esté en movimiento.
- No coloque objetos contra el panel de la puerta o contra el rodillo superior.
- No acople ningún componente al panel de la puerta que haga que éste sea más pesado o más grueso
- No use nunca la puerta para levantar personas u objetos.

+++ ADVERTENCIA +++ ADVERTENCIA +++

1.6 Desmontaje

La puerta la puede desmontar un experto cualificado que siga las instrucciones que aparecen en el capítulo 4, pero en orden inverso.



Advertencia

- Durante el desmontaje hay riesgo de que caigan componentes, que pueden causar lesiones a personas o daños a objetos. Por ejemplo, fije el rodillo superior con una carretilla elevadora de horquilla antes de desmontarlo.

+++ ADVERTENCIA +++ ADVERTENCIA +++

2. Preparación

2.1 Símbolos



¡Observación!



Medición



Nivelación



Medición



Perforación



Apriete



Operación manual



Acortamiento



Carretilla elevadora



Lubricación



Corte



Lectura



Clips



Casco de seguridad



Ty-Rap

①②③, etc. Orden de instalación

2.2 Observaciones preliminares:

- No arrastre el rodillo superior sobre el suelo
- Durante la instalación, coloque el rodillo superior sobre una superficie limpia
- ¡No pise la tela (panel de la puerta)!
- Las siguientes instrucciones se aplican a las puertas SpeedRoller estándar

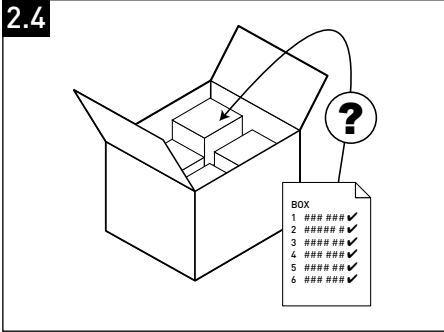



2.3 La puerta SpeedRoller consta de las siguientes secciones principales:

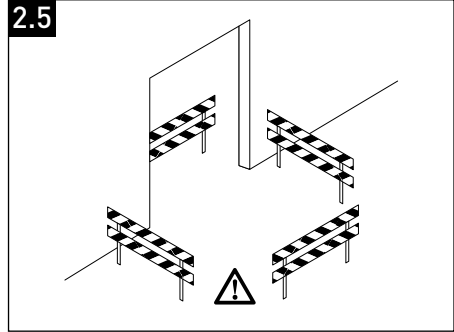


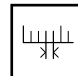
- Un rodillo superior que se compone de un rodillo de puerta rodeado por un panel de la puerta de plástico (tela).
- Dos columnas que soportan el rodillo superior y guían el panel de la puerta.
- Un armario con la caja de control.
- Una caja con más piezas pequeñas.
- ¡Al instalar puertas múltiples, debe ordenar con cuidado todos los componentes!
- Informe inmediatamente de cualquier daño de transporte a Novoferm Netherlands BV.

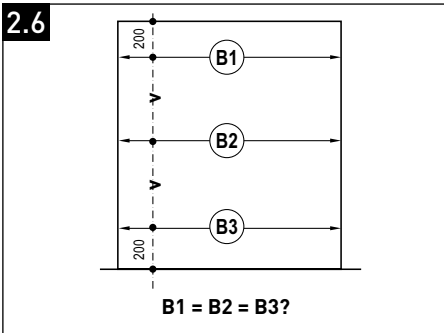
+ ¡OBSERVACIÓN! +++ ¡OBSERVACIÓN! +++ ¡OBSERVACIÓN! +++ ¡OBSERVACIÓN! +++ ¡OBSERVACIÓN! +

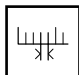


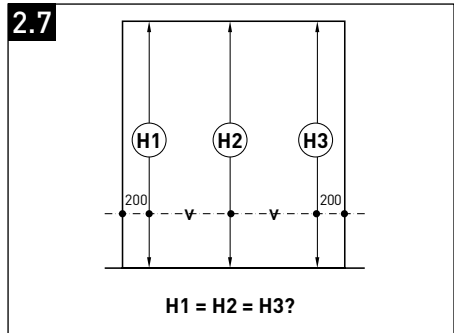
 Asegúrese de que se han suministrado las piezas correctas. Al instalar puertas múltiples, asegúrese de ordenar todo con cuidado.

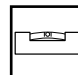


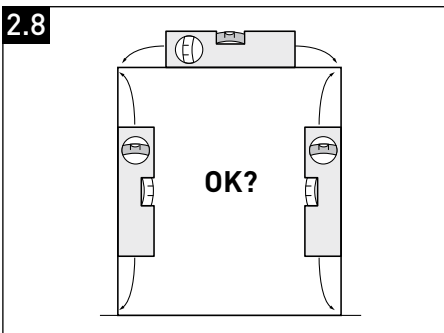
 Asegúrese de que el área de trabajo está debidamente acordonada.

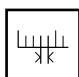
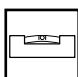


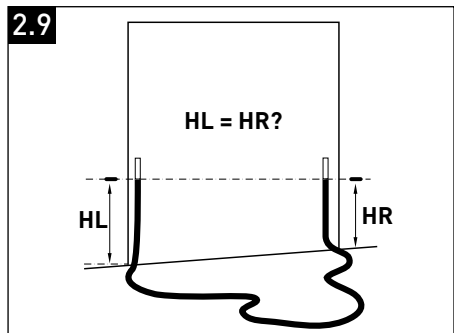
 Verifique la amplitud de la abertura estándar.

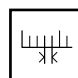
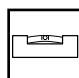



 Compruebe la altura de la abertura estándar.



  Compruebe que el dintel y los marcos están rectos y horizontales.



   Compruebe que el suelo que está dentro del ámbito de alcance de la puerta sea suave y esté llano.


2.10 M Juego de montaje mural necesario (Incluido)


- Cada puerta se suministra con el kit de montaje correcto
- Utilice el kit de montaje correcto, incluso si monta diferentes puertas
- El kit de montaje incluido es siempre la última versión disponible
- Asegúrese de que el kit de montaje suministrado es adecuado para su situación

++ IMPORTANTE +++ IMPORTANTE +++ IMPORTANTE +++ IMPORTANTE +++ IMPORTANTE ++
Instalación en pared trasera Iso*

Número	Descripción	Material	Dimensiones
9	Tornillo de taladro	Acero galvanizado	Ø4,8x22
28	Tuerca hexagonal con brida	Acero galvanizado	M10
28	Arandela		M10
28	Tuerca de ciruela		M10
28	Varilla roscada	Acero galvanizado	M10

Instalación en pared trasera Iso [capucha de acero inoxidable]*

Número	Descripción	Material	Dimensiones
9	Tornillo de taladro	Acero inoxidable	Ø4,8x22
28	Tuerca hexagonal con brida	Acero inoxidable	M10
28	Arandela		M10
28	Tuerca de ciruela		M10
28	Varilla roscada	Acero inoxidable	M10

Instalación en pared posterior de hormigón / madera*

Número	Descripción	Material	Dimensiones
9	Espiga S6		6x30
9	Tornillo de avellanado	Acero galvanizado	Ø4,8x25
28	Espiga S10		10x50
28	Arandela de diámetro	Acero galvanizado	M8x30x1,3
4	Tornillo para madera hexagonal	Acero galvanizado	Ø 8x80
24	Tornillo para madera hexagonal	Acero galvanizado	Ø 8x50

Instalación en pared posterior de hormigón / madera [capucha de acero inoxidable]*

Número	Descripción	Material	Dimensiones
9	Espiga		6x30
9	Tornillo de avellanado	Acero inoxidable	Ø4,8x25
28	Espiga		10x50
28	Arandela de diámetro	Acero inoxidable	M8x30x1,3
4	Tornillo para madera hexagonal	Acero inoxidable	Ø 8x80
24	Tornillo para madera hexagonal	Acero inoxidable	Ø 8x50

Instalación en pared trasera de acero*

Número	Descripción	Material	Dimensiones
9	Tornillo de taladro	Acero galvanizado	Ø4,8x22
28	Taptite	Acero galvanizado	M8x16

Instalación en pared trasera de acero [capucha de acero inoxidable]*

Número	Descripción	Material	Dimensiones
9	Tornillo de taladro	Acero inoxidable	Ø4,8x22
28	Taptite	Acero inoxidable	M8x16

* Sujeto a cambios. El kit de montaje incluido es siempre la última versión disponible.

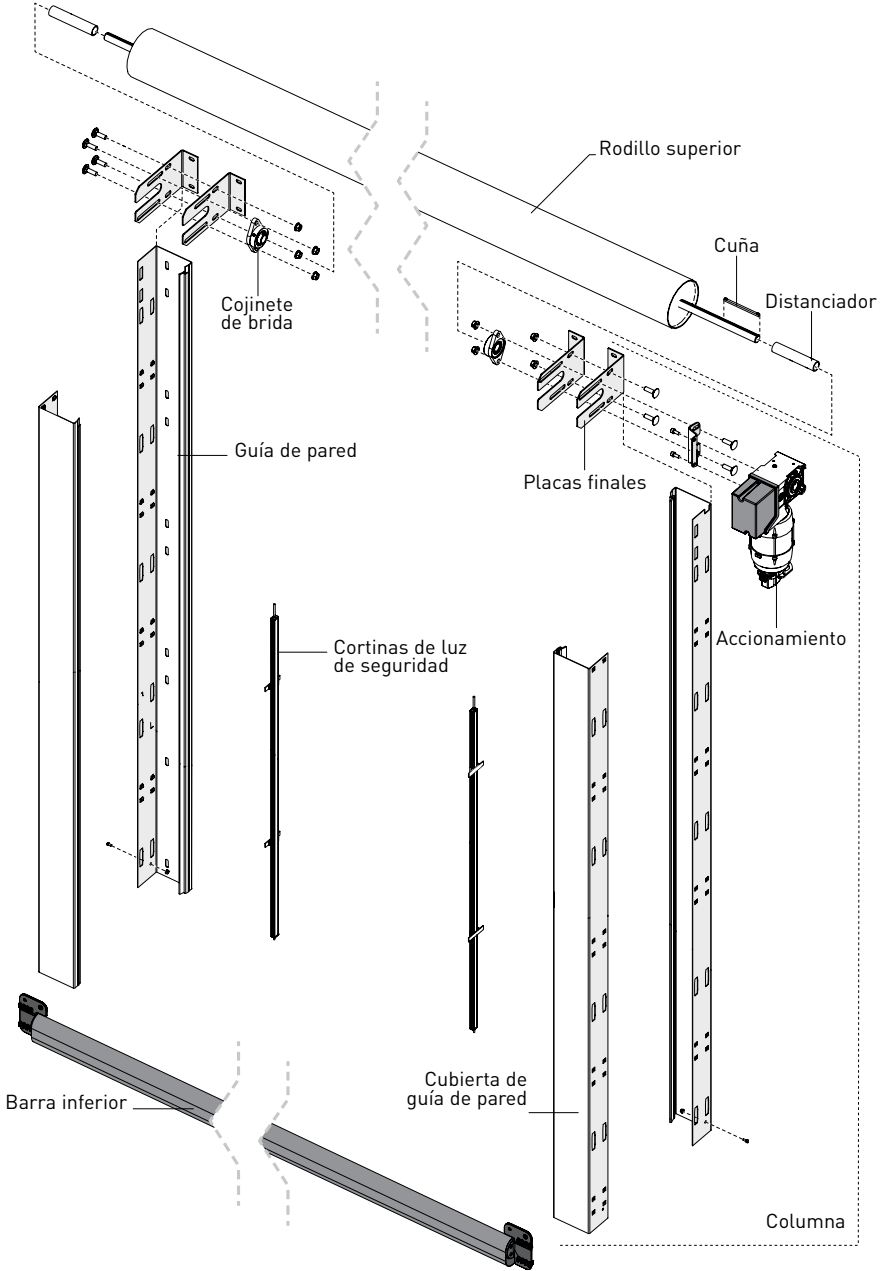


Lined area for notes, consisting of 22 horizontal lines.

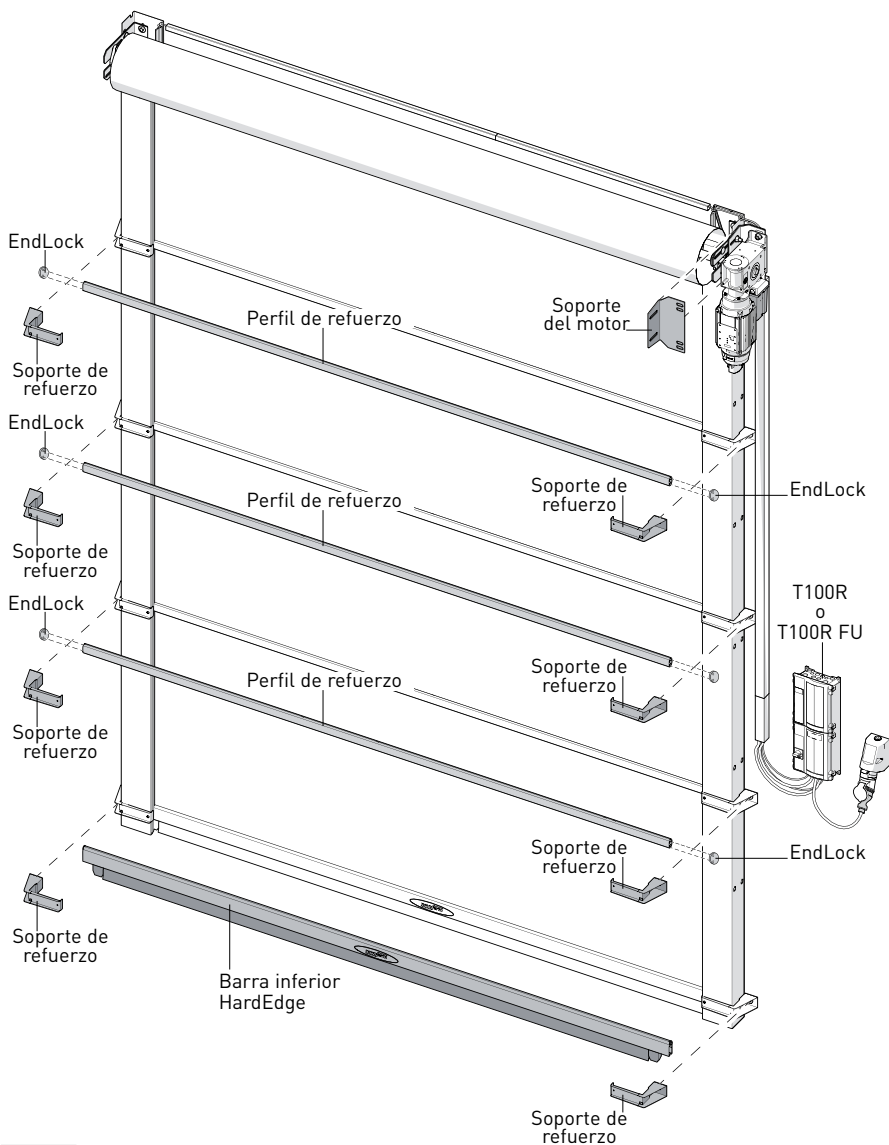
3. Piezas

3.1

Vista en despiece ordenado



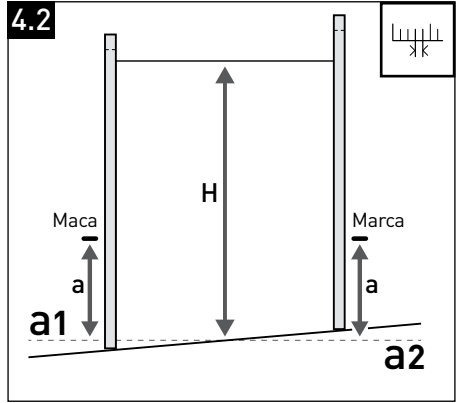
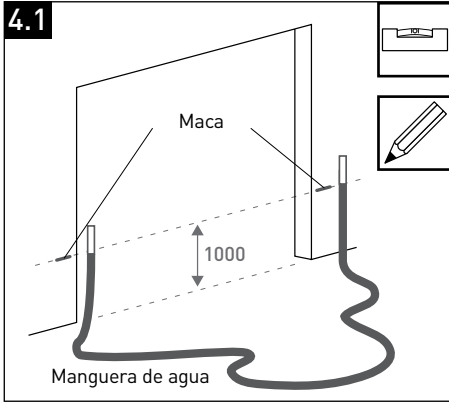
Opciones



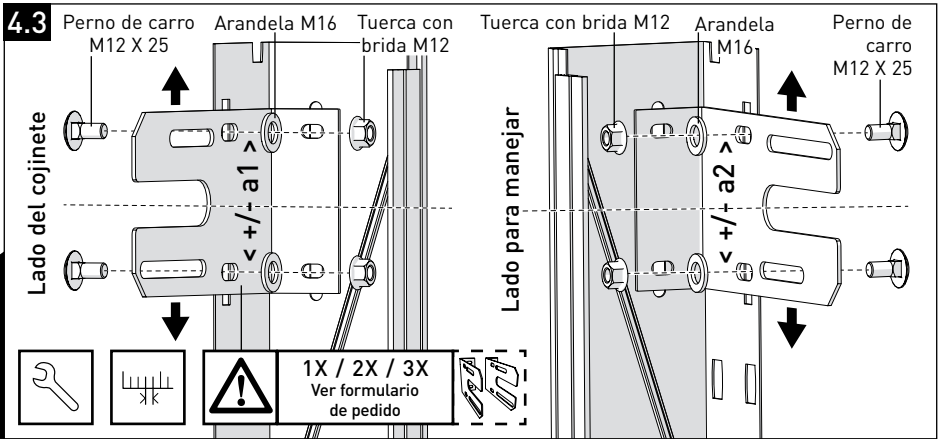
Nota: Dependiendo del diseño y tamaño de la puerta, estas opciones pueden ser suministradas. Mire el formulario de pedido para determinar las opciones que se aplican a usted.

4. Instalación

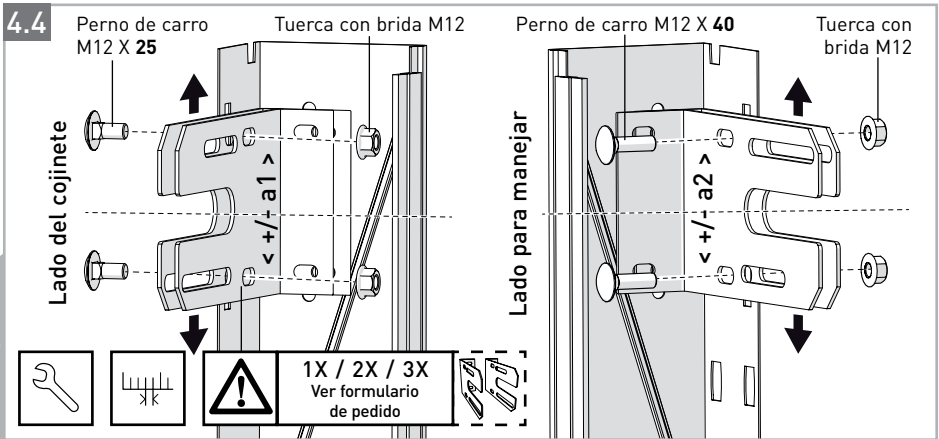
ES



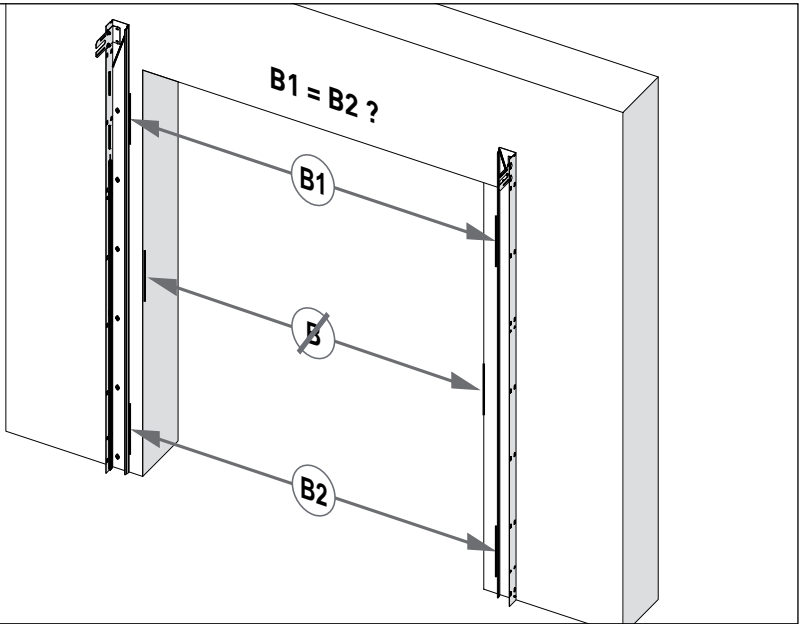
[Prime]



[Strong]

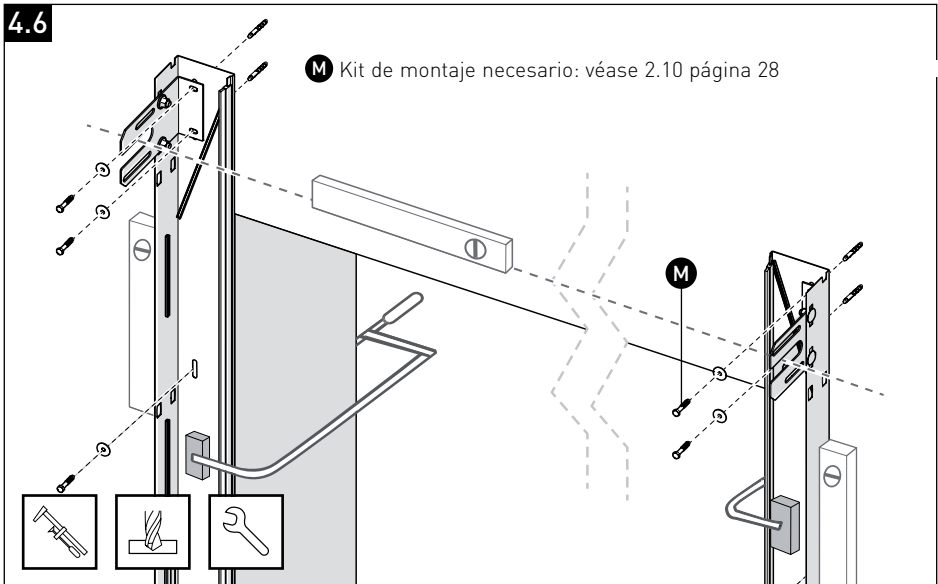


4.5



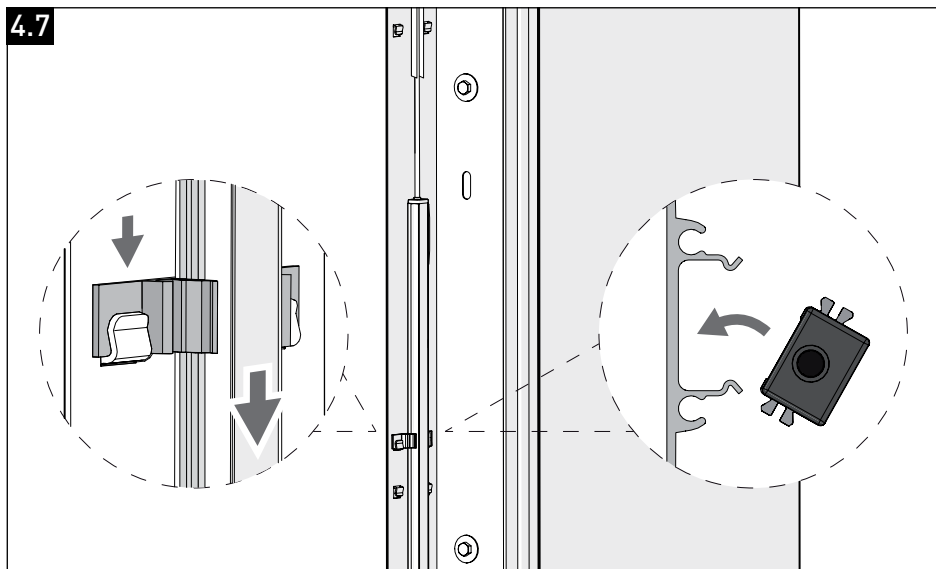
B = medida interior = anchura libre en el formulario de pedido.
 Observación: ¡ésta puede variar de la anchura libre real!
 Compruebe la **medida interior (B)** entre las guías de pared.
 Ésta debe ser la misma en cada nivel.

4.6



4.7

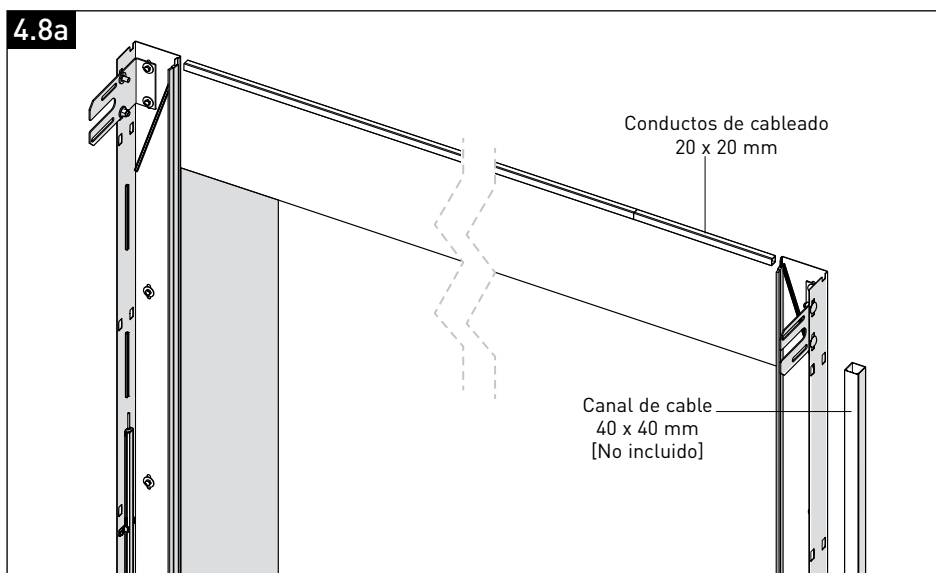
ES



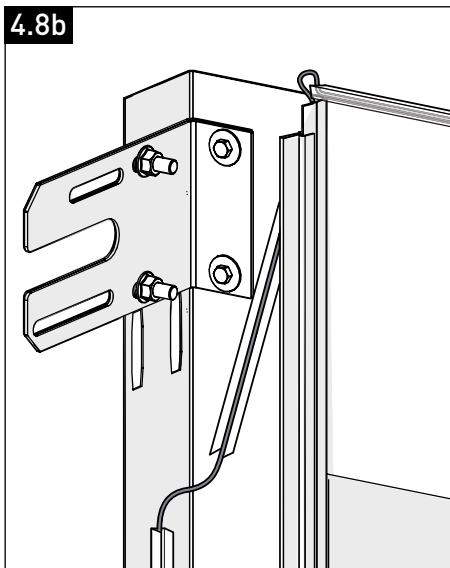
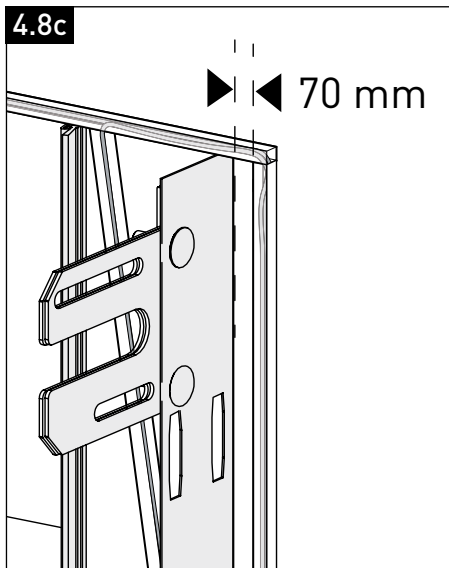
Haga clic en la cortina de luz en el interior de la guía de pared firmemente con los clips correspondientes. Deslice la cortina de luz hacia el suelo.

Tenga en cuenta que ambos lados están exactamente horizontales entre sí.

4.8a



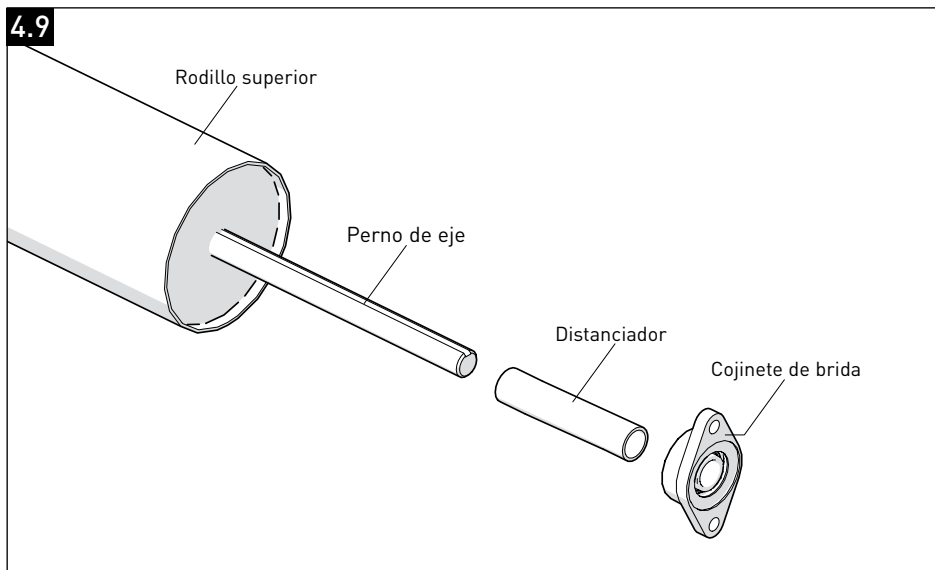
Instalar los canales de cableado 20 x 20 mm suministrados utilizando el kit de montaje suministrado en la pared como se muestra. Instale un canal de cable decente al controlador, Véase 4.8b y 4.8c.

4.8b**4.8c**

ES



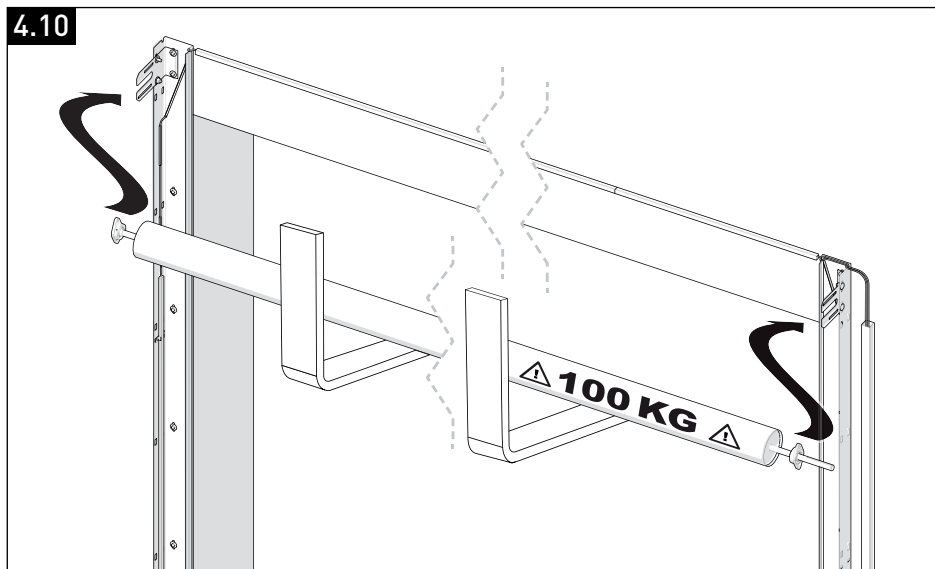
Alimentar los cables del sistema de cortina de luz a través de los canales de cableado, hasta el control. Deje el conducto del cable en el lado de la unidad sobresaliendo 70 mm, así que hay suficiente espacio para soportes de refuerzo opcionales.

4.9

Deslice los distanciadors y los cojinetes de brida en ambos lados sobre el perno de eje del rodillo superior.

4.10

ES

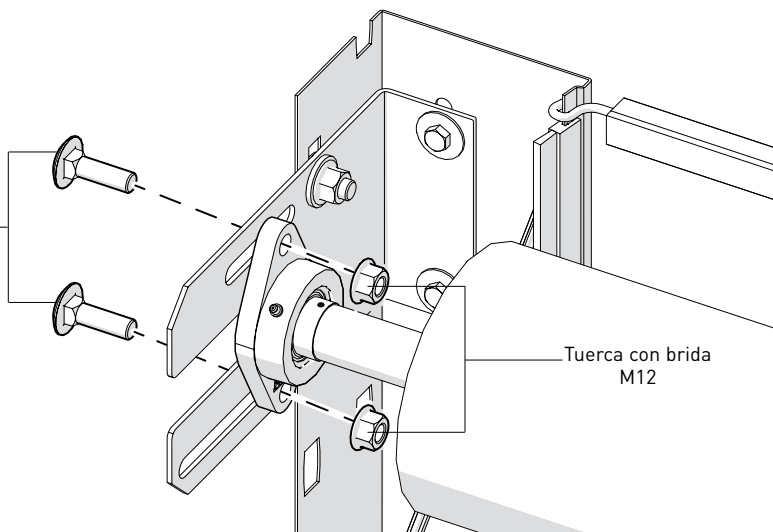


Levante el rodillo superior con una carretilla elevadora y deslice los pasadores del eje en los soportes. Tenga en cuenta que los manguitos distanciadores y los cojinetes de brida están correctamente colocados entre los soportes.

4.11a

Perno de carro
M12 X 25

Tuerca con brida
M12



(Prime.)



Coloque los cojinetes de la brida apretados a mano con los tornillos suministrados y tuercas autobloquantes. Compruebe cuidadosamente que el rodillo superior se ha colocado exactamente horizontalmente.

4.11b

ES

Perno de carro
M12 X 25

Tuerca con brida
M12

[Strong]



Coloque los cojinetes de la brida apretados a mano con los tornillos suministrados y tuercas autoblocantes. Compruebe cuidadosamente que el rodillo superior se ha colocado exactamente horizontalmente.

4.12a

4.12b

[Prime]

[Strong]

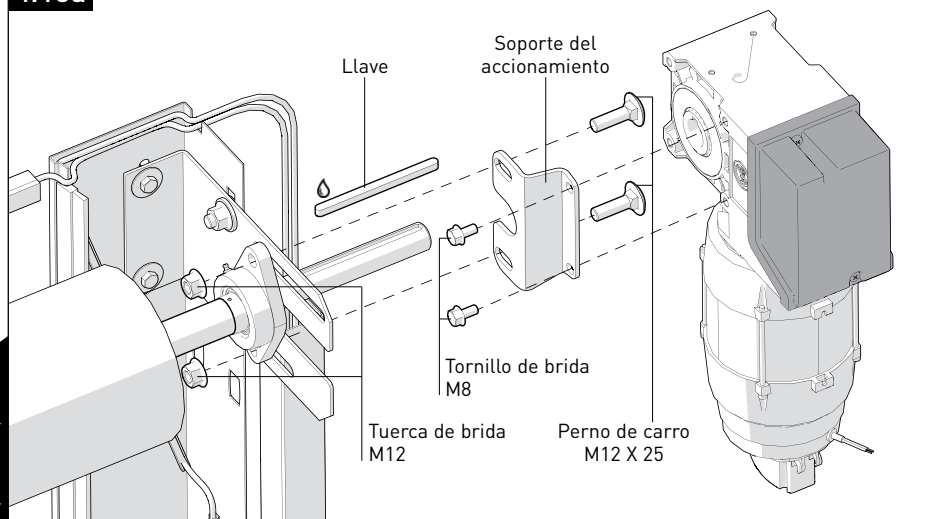


Consulte el número aplicable de soportes de accionamiento en el formulario de pedido.
Nota: Primero monte el (los) soporte (s) de la unidad en la guía de la pared, luego la unidad! Véase 4.13

4.13a

ES

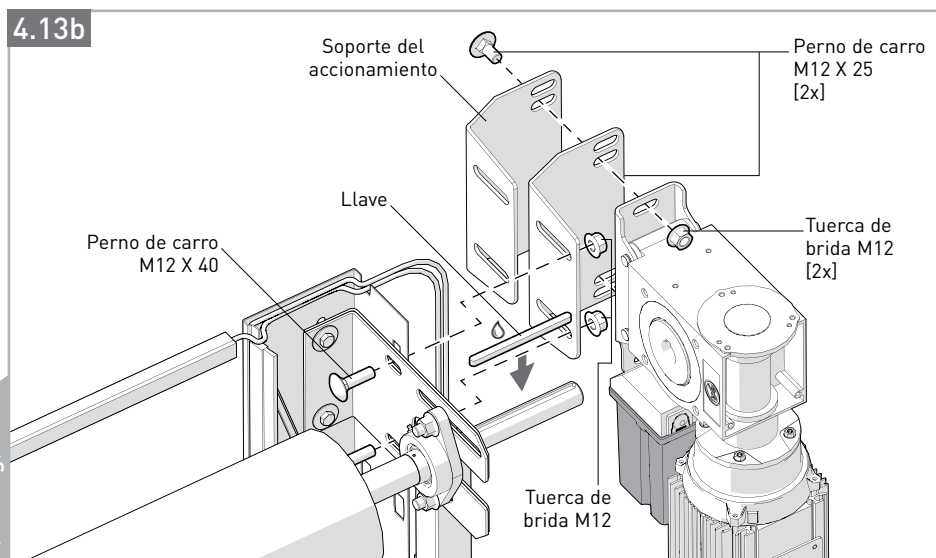
[Prime]



Coloque la llave en el lecho de llave. Fije el soporte del accionamiento a los soportes y al cojinete de la brida. A continuación, conecte la accionamiento al soporte del accionamiento. Utilice el perno de carro M12 y la tuerca de brida. Añada una gota de aceite para facilitar el deslizamiento.

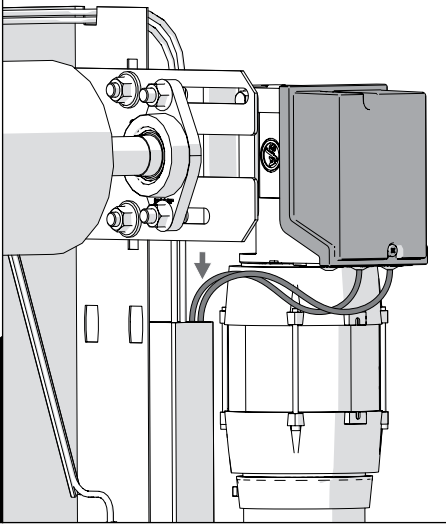
4.13b

[Strong]

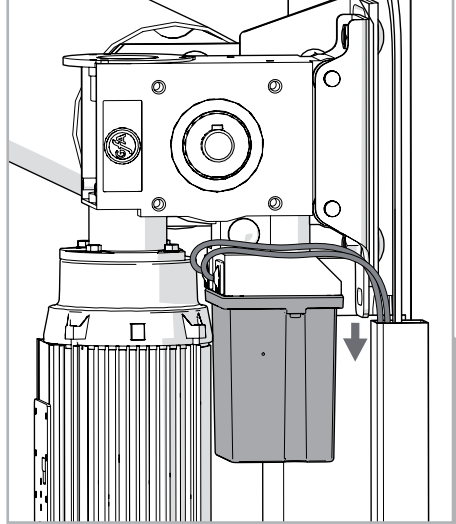


Coloque la llave en el lecho de llave. Fije el soporte del accionamiento a los soportes y al guía de pared. A continuación, conecte la accionamiento al soporte del accionamiento. Utilice el perno de carro M12 y la tuerca de brida. Añada una gota de aceite para facilitar el deslizamiento.

4.14a

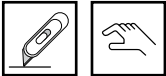


4.14b



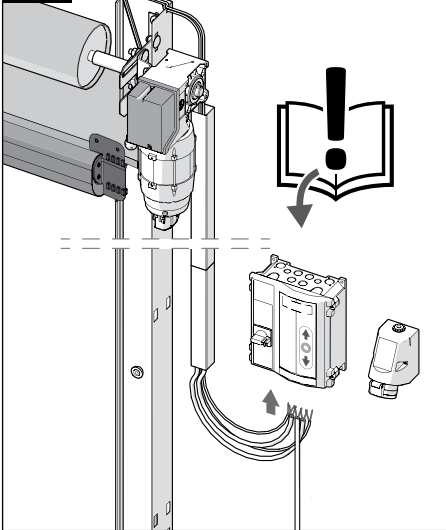
[Prime]

[Strong]

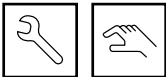
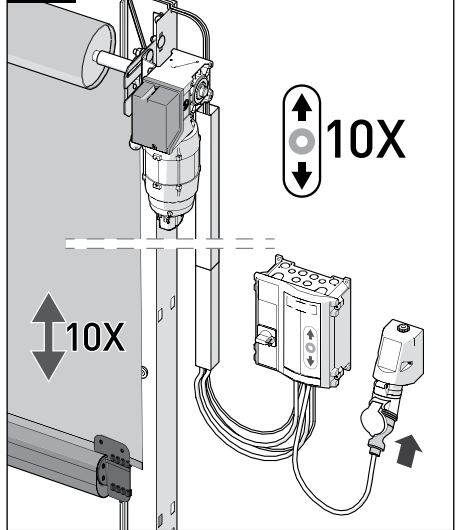


Pase los cables de la unidad en el canal de cable vertical descendente.

4.15



4.16

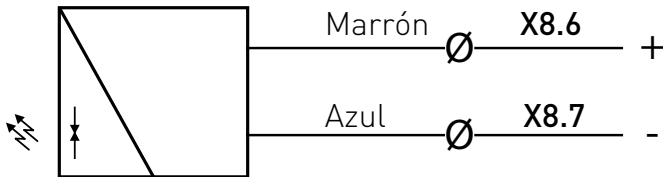


Ver para el montaje del armario de control, el manual de usuario que viene con el armario de control. Para la conexión de cortinas de luz de seguridad, consulte el diagrama de cableado 17.4 en la página siguiente.

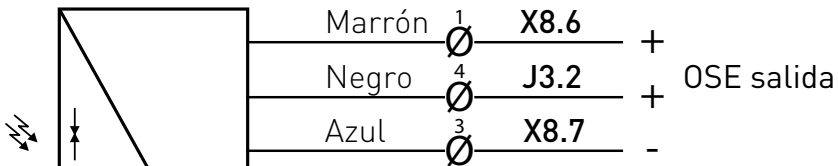
Conexiones: Fuente de alimentación + Marrón
 Fuente de alimentación - Azul
 Salida SGR OSE Negro
 Negro

Por favor, lea el manual del controlador para encontrar los ajustes de los parámetros adecuados.

T100 R

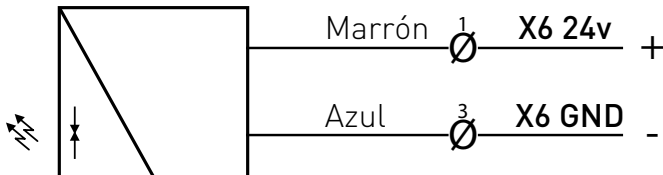


SGT 15 OSE



SGR 15 OSE

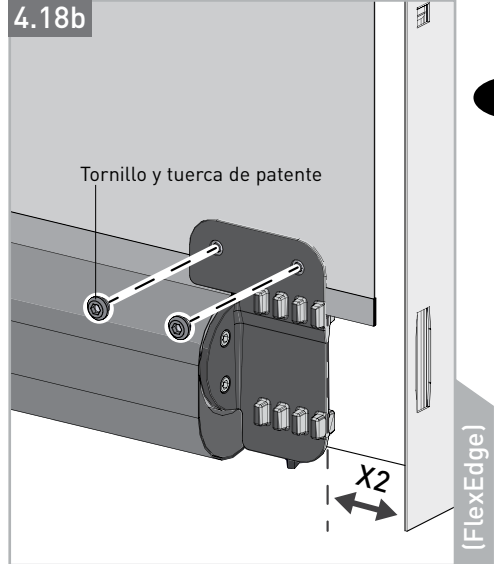
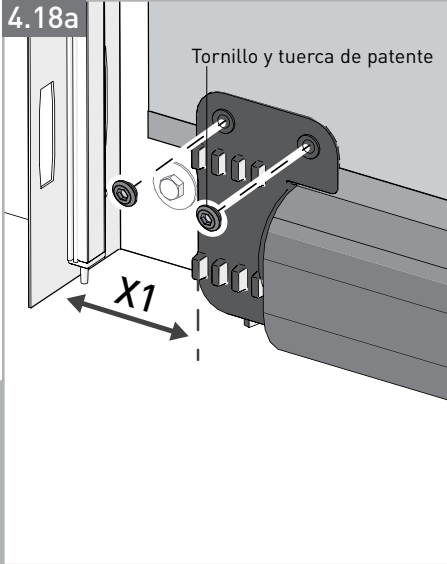
TS971



SGT 15 OSE

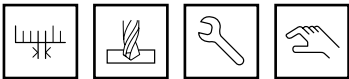


SGR 15 OSE



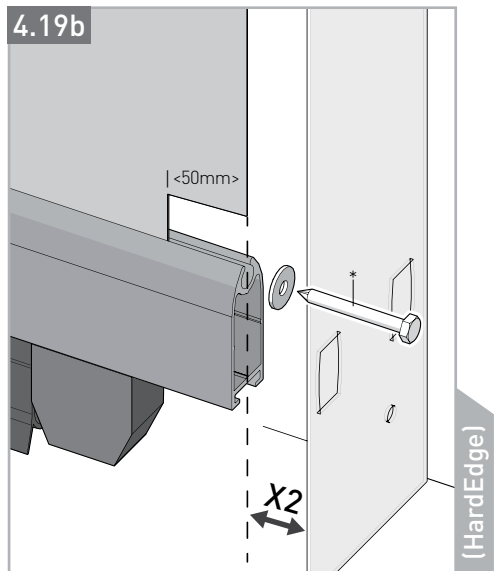
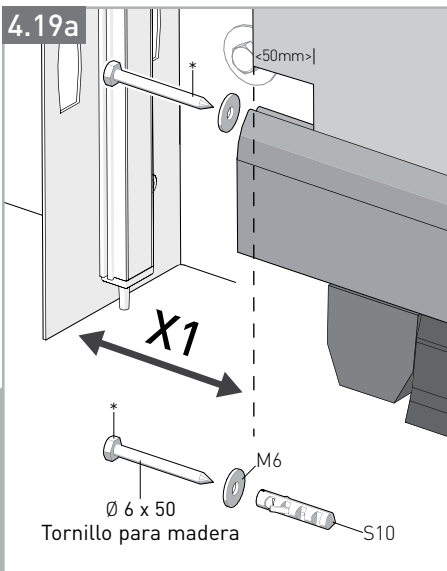
(FlexEdge)

(FlexEdge)



Centrar la viga inferior **FlexEdge**: $X1 = X2!$

Fijar la viga inferior **FlexEdge** con los tornillos y tuercas patentados suministrados.



(HardEdge)

(HardEdge)



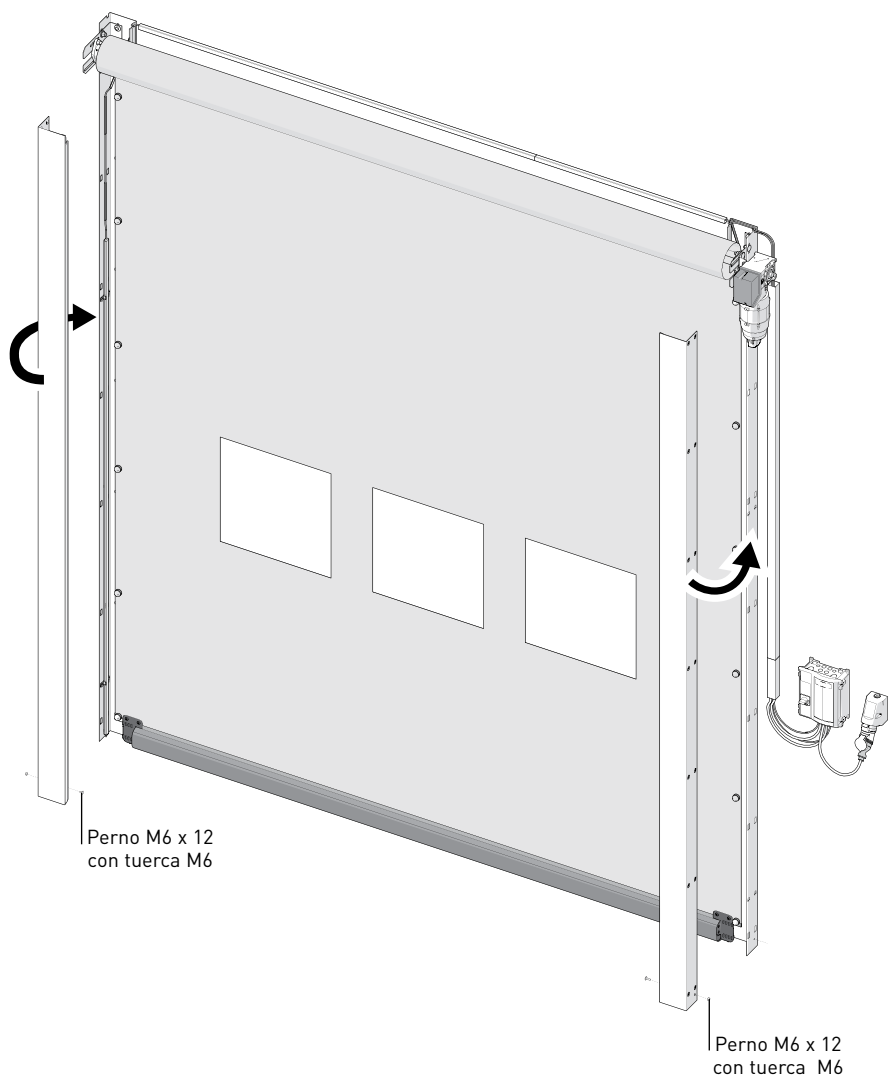
Centrar la viga inferior **HardEdge**: $X1 = X2!$

Fijar la viga inferior **HardEdge** con los tornillos para madera suministrados, las arandelas y los pasadores.

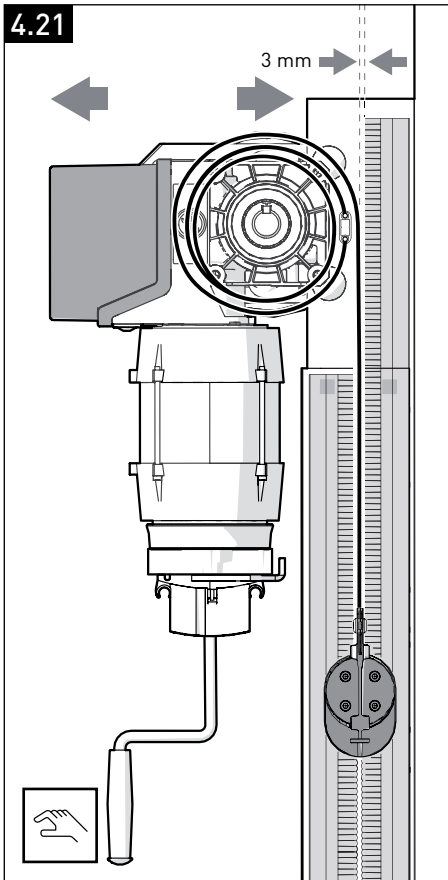
4.20

Instalación de cubiertas de guía de pared

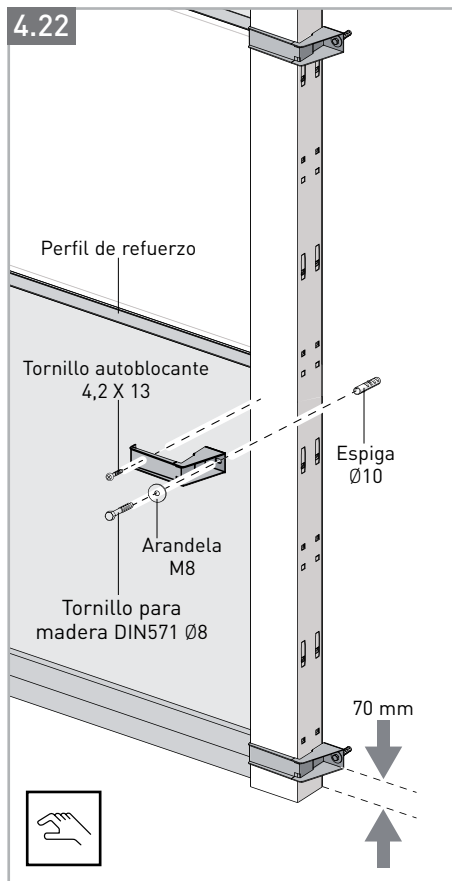
ES



Enganche las cubiertas de guía de pared a las guías de pared y asegúrelas 50 mm por encima del piso con un perno M6 x 12 con tuerca M6.



Enrollar completamente la hoja de la puerta. Alinee el rodillo superior con la unidad horizontalmente, de manera que la parte más ancha del rodillo esté a 3 mm de distancia de la guía de pared.



Si su puerta fue suministrada con soporte de refuerzo, apriételos en la altura de los perfiles de refuerzo y la viga inferior alrededor de los columnas y asegúrelos con el materiales de fijación suministrados.

(Opciones)



Con esto se ha terminado la parte mecánica de la instalación. Para instalar el sistema operativo, consulte el manual correspondiente. El sistema operativo se puede suministrar con un interruptor magnético o con un controlador de frecuencia. Por favor, asegúrese de que está utilizando el manual correcto.

Manual de instalação

Porta de alta velocidade **SR Prime / Strong**

Português



Índice

1. Introdução	46
2. Preparação	48
3. Peças	52
4. Instalação	54
Copyright	68

Estimado cliente,

Obrigado por optar por um produto de qualidade Novoferm. Este produto foi concebido e fabricado de acordo com o sistema de qualidade ISO 9001. Esperamos que exceda as suas expectativas.

O funcionamento correcto e manutenção adequada têm um grande impacto no desempenho e na vida útil da porta. Erros operacionais e uma manutenção insuficiente resultam inevitavelmente em avarias no produto. Além disso, um funcionamento sustentável e seguro só pode ser garantido se o produto for utilizado de modo correcto e a respectiva manutenção for cuidadosamente efectuada.



Atenção!

Dependendo dos acessórios encomendados, a entrega poderá conter manuais adicionais, por exemplo, para o controlo da porta. Leia as presentes instruções atenta e cuidadosamente. Leia os comentários com atenção e certifique-se de que cumpre as instruções de segurança e orientações de advertência constantes dos manuais.

+++ ADVERTÊNCIA +++ ADVERTÊNCIA +++

1. Introdução



Importante!

- A área de aplicação desta porta industrial é definida na norma EN 13241
- Após a colocação em funcionamento da porta, o profissional experiente deve verificar a existência de possíveis perigos e certificarse de que a porta está estável, funciona correctamente e pode ser accionada manualmente, em conformidade com as normas EN 12604 e EN 12453
- Anualmente ou após 100.000 ciclos, dependendo de qual ocorra mais cedo, o utilizador deve proceder à manutenção do produto.
- Caso a manutenção anual não seja executada por um centro de assistência qualificado utilizando peças de origem, a garantia será considerada nula. (Solicite a assistência do seu distribuidor).

+++ IMPORTANTE +++ IMPORTANTE +++

1.1 Instruções gerais

- Leia o manual de instalação na íntegra antes de iniciar a instalação! Leia os comentários e observe atentamente as instruções de segurança e orientações de advertência!
- Tenha em atenção que as normas geralmente aplicáveis, estatutárias e outras normas vinculativas relativas à prevenção de acidentes e protecção ambiental, as normas nacionais, bem como todas as regulamentações técnicas reconhecidas relativas à execução segura e experiente do trabalho devem ser sempre cumpridas.
- Verifique se o hardware de montagem fornecido para a situação de construção aplicável é adequado.
- Siga a sequência conforme apresentado nos esquemas de instalação.
- Utilize sempre ferramentas adequadas e de boa qualidade.
- Efectue actividades de reparação na porta industrial apenas quando a mesma não estiver a funcionar.
- O não cumprimento destas instruções pode causar ferimentos graves ou danificar o equipamento.
- Os componentes são elaborados com materiais de alta qualidade, sustentáveis e sólidos. No entanto, durante a instalação

devem ser tomadas todas as precauções necessárias para evitar danos.

- Substitua sempre as peças com defeitos por peças de origem. Caso contrário, não poderá ser garantido o funcionamento seguro e correcto da porta, podendo ainda existir o risco de invalidar a garantia!

1.2 Subestrutura e fixação

Instale a porta de enrolamento rápido numa estrutura de aço ou betão suficientemente forte para neutralizar as forças do vento. É altamente recomendado que não instale a porta de enrolamento rápido numa estrutura de cimento de alvenaria, gesso, etc. É aconselhável construir primeiro uma estrutura de aço sólida.



Advertência

- Durante a instalação existe o risco de queda dos componentes, podendo tal situação resultar em ferimentos nas pessoas ou danos nos objectos. Mantenha as colunas e o rolo superior bem fixos durante a instalação.
- O contacto com a tensão da rede eléctrica constitui um risco de electrocussão. Certifique-se de que a instalação eléctrica no local do cliente é efectuada de acordo com as exigências de segurança aplicáveis.
- Durante todo o trabalho efectuado nas portas, certifique-se de que a alimentação está desligada e protegida contra utilização não autorizada. Se existente, desligue a alavanca para abertura de emergência.
- Nunca ligue a alimentação de CA ao controlo. Fazê-lo causaria danos irreparáveis nos componentes electrónicos.
- Efectuar a soldagem e a rectificação apenas quando estas actividades forem expressamente autorizadas. Tenha cuidado, pois pode existir um risco de incêndio ou explosão! Certifique-se de que existe ventilação adequada para actividades de soldagem ou rectificação, dado que o pó e outras substâncias inflamáveis poderão proporcionar um perigo de explosão.

+++ ADVERTÊNCIA +++ ADVERTÊNCIA +++

1.3 Tolerâncias

Todas as peças são fabricadas com a máxima precisão, em conformidade com as tolerâncias padrão.

1.4 Teste funcional

- Após conclusão da instalação, o funcionamento da porta deve ser verificado utilizando a lista de inspecção final existente na Manual del usuario.
- Preencha a lista de inspecção final de modo sincero e assinhe-a.
- Em seguida, entregue o manual de instalação ao cliente, juntamente com todos os outros documentos.

1.5 Colocação em funcionamento



Advertência

Uma porta avariada pode causar ferimentos nas pessoas ou danos nos objectos. Utilize a porta apenas quando esta se apresentar boas condições.

+++ ADVERTÊNCIA +++ ADVERTÊNCIA +++

- Uma porta com controlo eléctrico só pode ser colocada em funcionamento após ter sido emitido o respectivo certificado de conformidade.
- Esta porta só pode ser utilizada a temperaturas ambiente entre 0 e +40 graus celsius.
- Forneça instruções aos utilizadores sobre como activar a porta. Não permita a utilização da porta por terceiros (por exemplo, visitantes).
- O presente manual de instalação deve ser fornecido ao cliente e mantido num local de fácil acesso durante todo o período de utilização.
- Não efectue alterações no software do sistema operacional programável.
- Apenas o fornecedor poderá efectuar alterações ou acrescentar componentes ao produto.
- A Novoferm Nederland BV não deve ser considerada responsável por quaisquer danos causados por utilização imprópria ou aplicação incorrecta das instruções de instalação.



Advertência

Os movimentos da porta podem provocar ferimentos nas pessoas ou danos nos objectos.

- Certifique-se de que quando a porta se move, não existem pessoas ou objectos dentro do alcance da porta.
- Não toque nas calhas guia, na mola de tensão, na correia de tensão nem na polia de retorno quando a porta estiver em movimento.
- Nunca encoste objectos ao painel da porta nem ao rolo superior.
- Não fixe quaisquer componentes ao painel da porta que possam aumentar o peso ou a espessura do painel da porta
- Nunca use a porta para elevar pessoas ou objectos.

+++ ADVERTÊNCIA +++ ADVERTÊNCIA +++

1.6 Desmontagem

A porta pode ser desmontada por um profissional experiente, realizando as instruções do capítulo 4 pela ordem inversa.



Advertência

Durante a desmontagem existe o risco de queda dos componentes, podendo tal situação resultar em ferimentos nas pessoas ou danos nos objectos. Por exemplo, fixe o rolo superior com uma empilhadora antes de o desmontar.

+++ ADVERTÊNCIA +++ ADVERTÊNCIA +++

2. Preparação

2.1 Símbolos



Atenção!



Medição



Nivelamento



Medição do exterior



Perfuração



Aperto



Operação manual



Encurtamento



Empilhadora



Lubrificação



Corte



Leitura



Cliques



Capacete de segurança



Ty-Rap

①②③, etc. Sequência de instalação

2.2 Observações preliminares

- Não arraste o rolo superior no piso.
- Durante a instalação, coloque o rolo superior numa superfície limpa.
- Não pise o painel (painel da porta)!
- As seguintes instruções são aplicáveis a portas SpeedRoller padrão



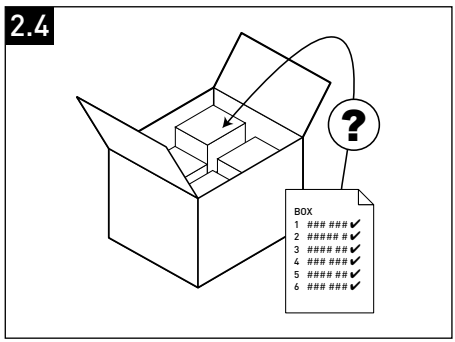
2.3


A Novoferm SpeedRoller é constituída pelas seguintes secções principais:

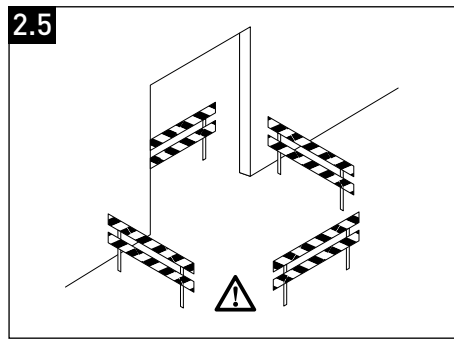



- Um rolo superior que consiste num rolo de porta rodeado por um painel de porta em plástico (painel).
- Duas colunas de suporte do rolo superior e orientação do painel da porta.
- Um armário com a caixa de controlo.
- Uma caixa com mais peças pequenas.
- Ao instalar várias portas certifique-se de que organiza cuidadosamente todos os componentes!
- Comunique quaisquer danos de transporte imediatamente à Novoferm Netherlands BV.

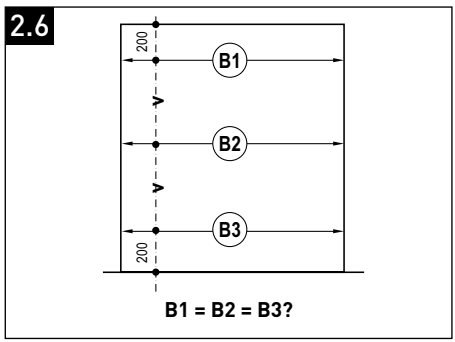
+++ ATENÇÃO! +++ ATENÇÃO! +++ ATENÇÃO! +++ ATENÇÃO! +++ ATENÇÃO! +++ ATENÇÃO! +++

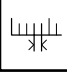


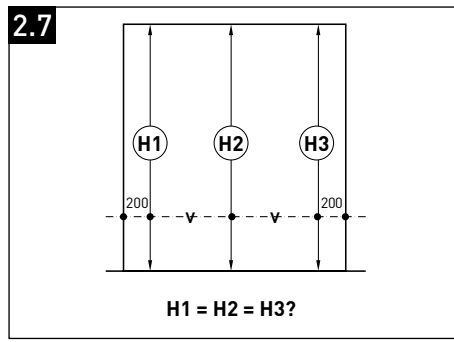
 Certifique-se de que foram fornecidas as peças correctas. Ao instalar várias portas certifique-se de que organiza tudo atentamente.

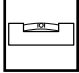


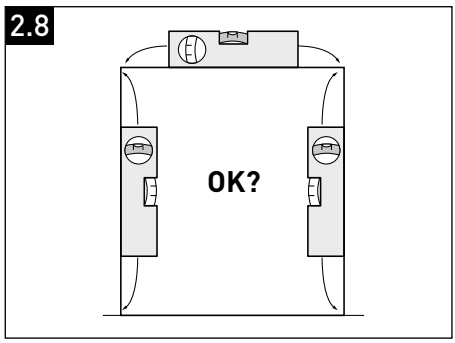
 Certifique-se de que a área de trabalho é adequadamente vedada.

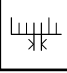
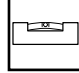


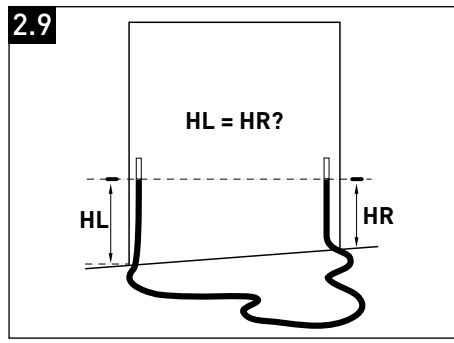
 Verifique a amplitude da abertura padrão.

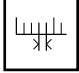
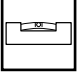



 Verifique a altura da abertura padrão.



  Verifique se a verga e as estruturas estão rectas e niveladas.



   Verifique se o piso ao alcance da porta se encontra desobstruído e nivelado.



2.10 **M** Material de montagem necessário para montagem na parede (Incluído)



- Cada porta é fornecida com o kit de montagem correto
- Por favor, se você precisar montar várias portas, use o kit de montagem correto
- O kit de montagem fornecido é sempre a versão mais recente
- Verifique se o kit de montagem fornecido é adequado para as condições estruturais

+++ ATENÇÃO! +++ ATENÇÃO! +++ ATENÇÃO! +++ ATENÇÃO! +++ ATENÇÃO! +++ ATENÇÃO! +++

Montagem na parede ISO*

Número	Descrição	Material	Dimensões
9	Parafuso de broca	Aço galvanizado	Ø4, 8x22
28	Porca flangeada	Aço galvanizado	M10
28	Arruela		M10
28	Porca do parafuso de chumbo		M10
28	Haste roscada	Aço galvanizado	M10

Montagem na parede ISO (Aço inoxidável)*

Número	Descrição	Material	Dimensões
9	Parafuso de broca	Aço inoxidável	Ø4, 8x22
28	Porca flangeada	Aço inoxidável	M10
28	Arruela		M10
28	Porca do parafuso de chumbo		M10
28	Haste roscada	Aço inoxidável	M10

Montagem em betão / parede de madeira*

Número	Descrição	Material	Dimensões
9	Plugue S6		6x30
9	Parafuso de placa	Aço galvanizado	Ø4,8x25
28	Plugue S10		10x50
28	Arruela	Aço galvanizado	M8x30x1,3
4	Parafuso de fio de madeira	Aço galvanizado	Ø 8x80
24	Parafuso de fio de madeira	Aço galvanizado	Ø 8x50

Montagem em betão / parede de madeira (Aço inoxidável)*

Número	Descrição	Material	Dimensões
9	Plugue		6x30
9	Parafuso de placa	Aço inoxidável	Ø4,8x25
28	Plugue		10x50
28	Arruela	Aço inoxidável	M8x30x1,3
4	Parafuso de fio de madeira	Aço inoxidável	Ø 8x80
24	Parafuso de fio de madeira	Aço inoxidável	Ø 8x50

Montagem na parede de aço*

Número	Descrição	Material	Dimensões
9	Parafuso de broca	Aço galvanizado	Ø4,8x22
28	Taptite	Aço galvanizado	M8x16

Montagem na parede de aço (Aço inoxidável)*

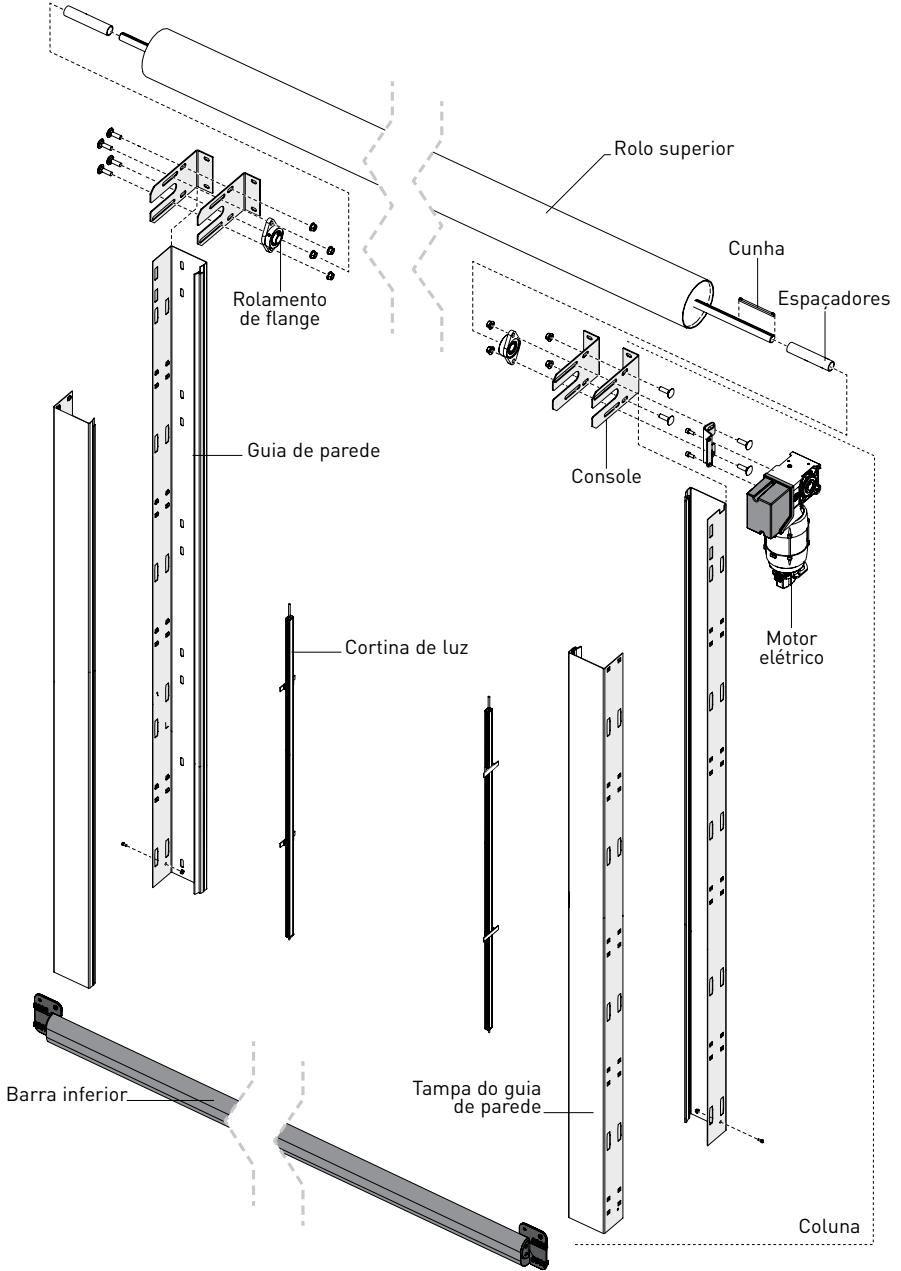
Número	Descrição	Material	Dimensões
9	Parafuso de broca	Aço inoxidável	Ø4,8x22
28	Taptite	Aço inoxidável	M8x16

* Sujeito a alterações. O kit de montagem fornecido é sempre a versão mais recente.

3. Peças

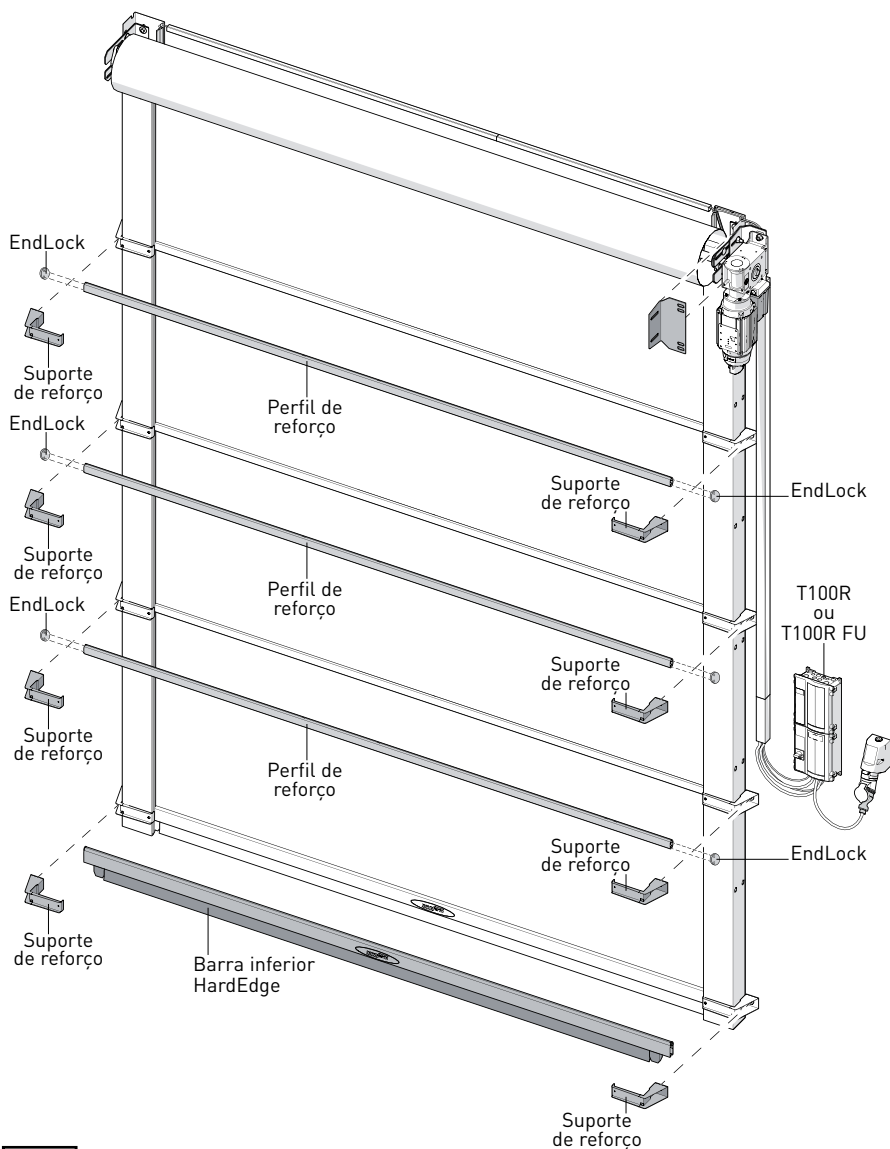
3.1

Vista Explodida



PT

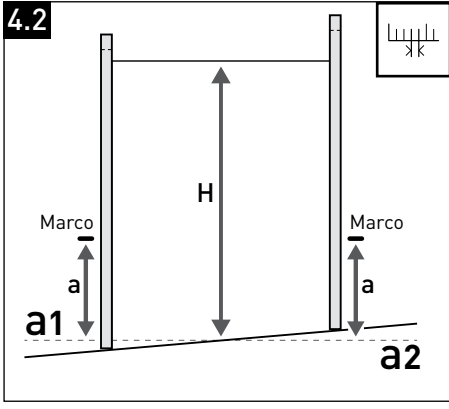
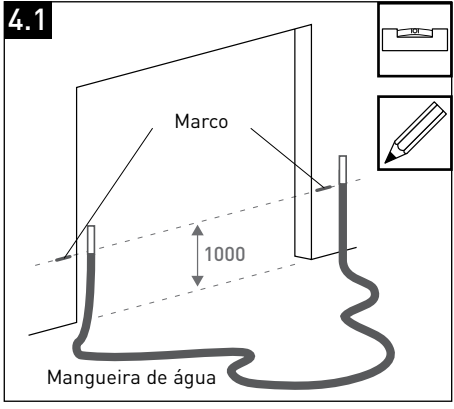
Opções



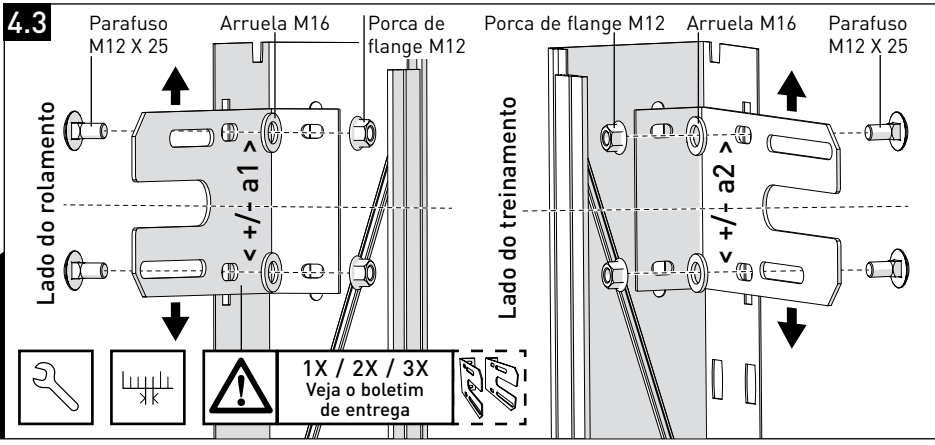
Nota: Dependendo do tipo e do tamanho da porta podem ser incluídas as opções abaixo. Verifique o boletim de entrega para as opções que você aplica.

4. Instalação

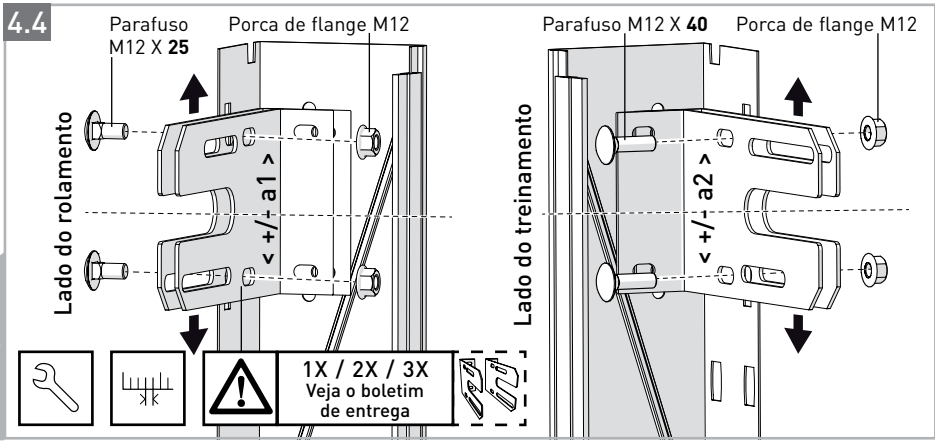
PT



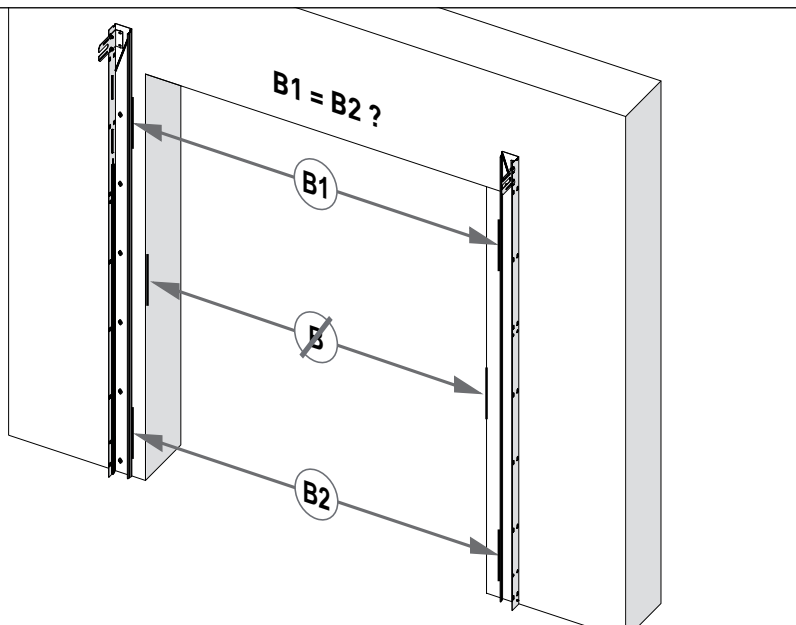
(Prime)



(Strong)



4.5

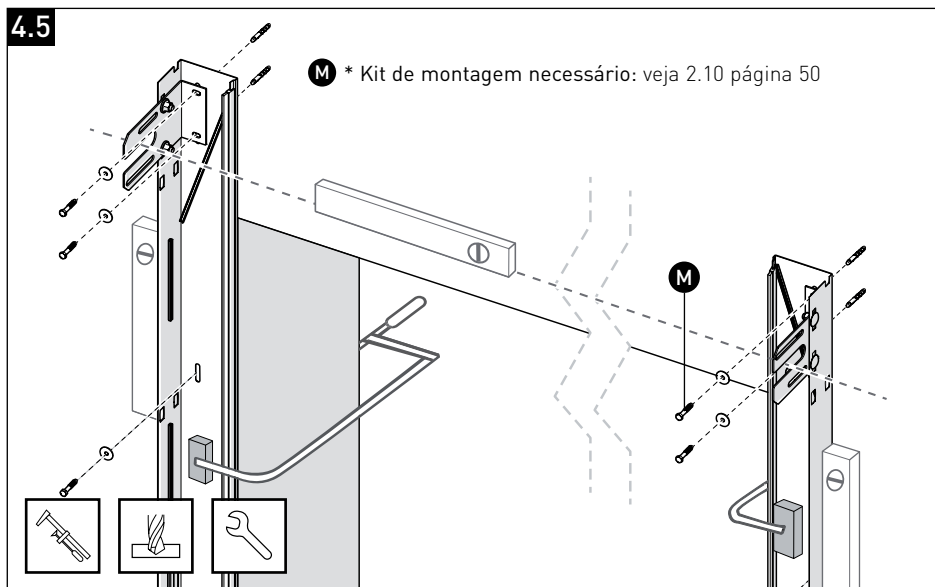


PT

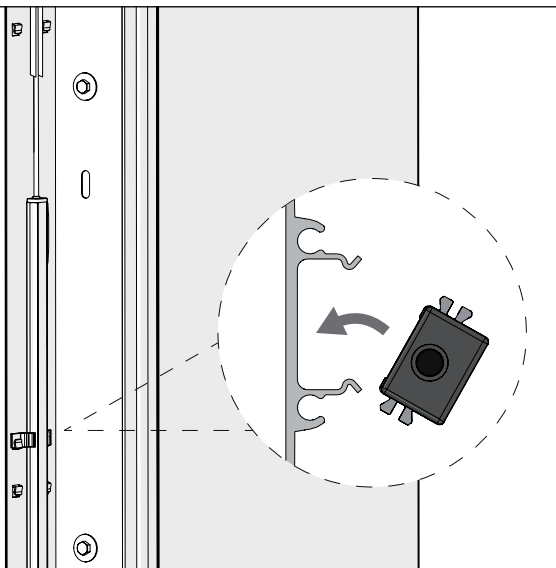
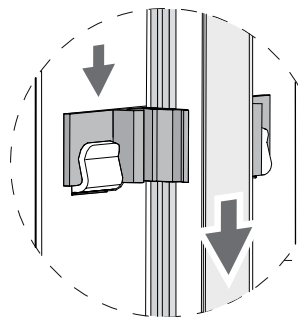


B = medidas interiores = largura livre no formulário de encomenda.
 Atenção: pode variar da largura livre real!
 Verifique as medidas **interiores (B)** entre as guias da parede.
 Estas devem ser as mesmas em cada nível.

4.5



4.7

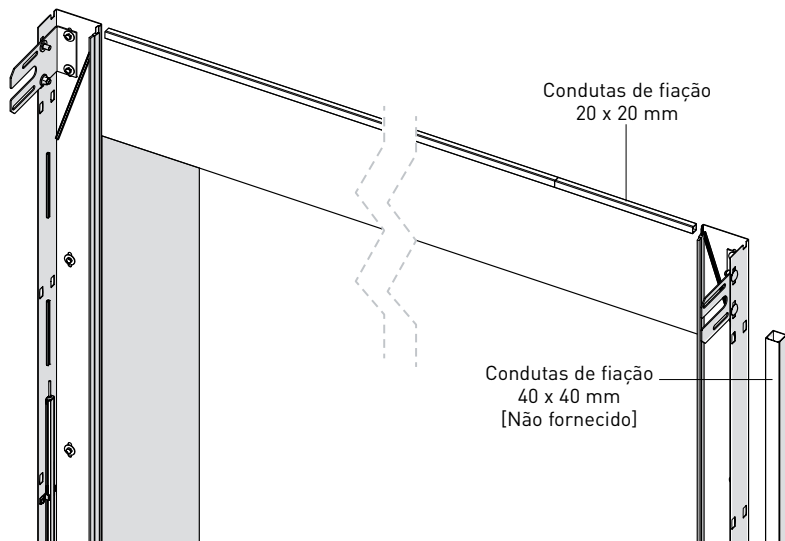


PT

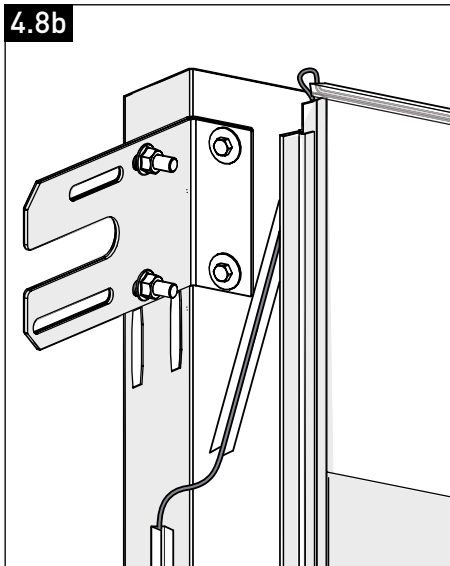
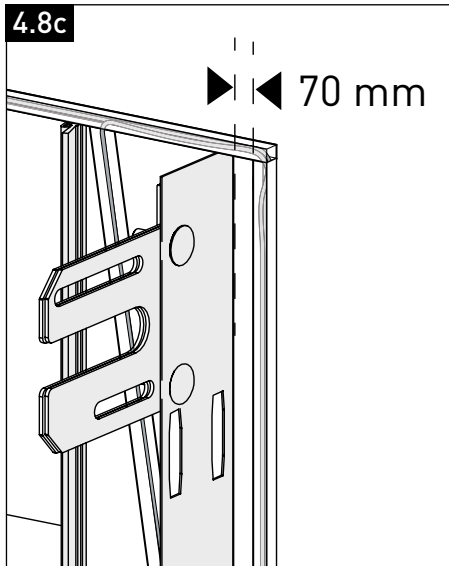


Clique na cortina de luz fornecida colada dentro das colunas com os cliques apropriados. Deslize a cortina de luz para o chão. **Observe que ambos os lados da cortina de luz são exatamente horizontais em comparação com o outro.**

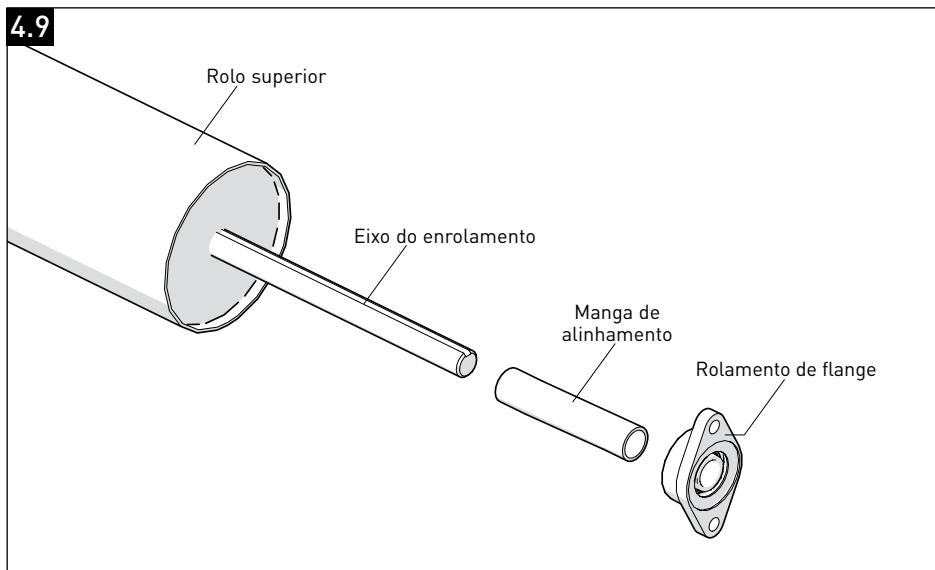
4.8a



Fixe os dutos de fiação de 20 x 20 mm com os parafusos fornecidos na parede, como mostrado. Verifique o roteamento adequado dos cabos na armário de controle. Veja também 4.8b e 4.8c.

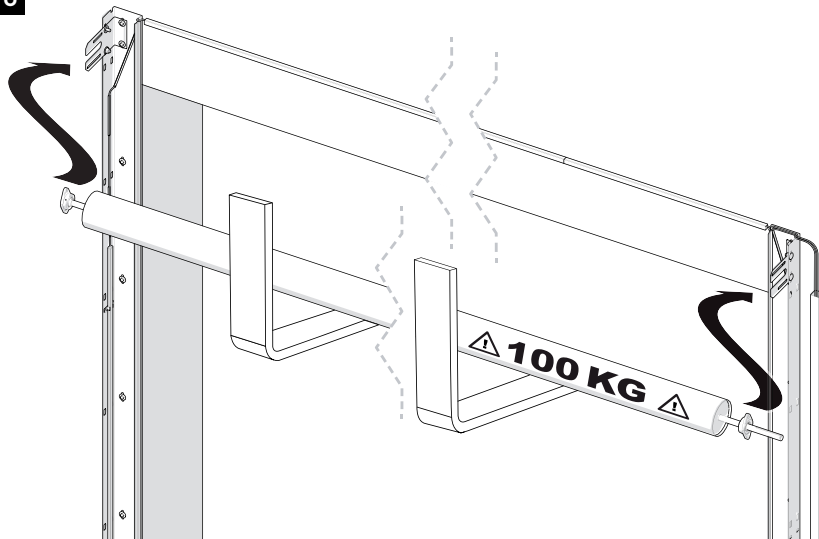
4.8b**4.8c**

Execute os cabos da cortina de luz através dos dutos de fiação para o armário de controle. Deixe as dutos de fiação no lado da unidade exceder 70 mm, portanto, há espaço suficiente para montar os suportes de suporte.

4.9

Coloque as mangas de alinhamento e os rolamentos de flange no diâmetro do eixo em ambos os lados do eixo do enrolamento.

4.10



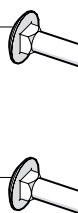
PT



Traga o rolo superior com uma empilhadeira e deslize os eixos do rolo superior para os suportes. Observe que os espaçadores e os rolamentos de flange estão nos suportes.

4.11a

Parafuso de trava quadrada M12 X 25



Porca de flange M12

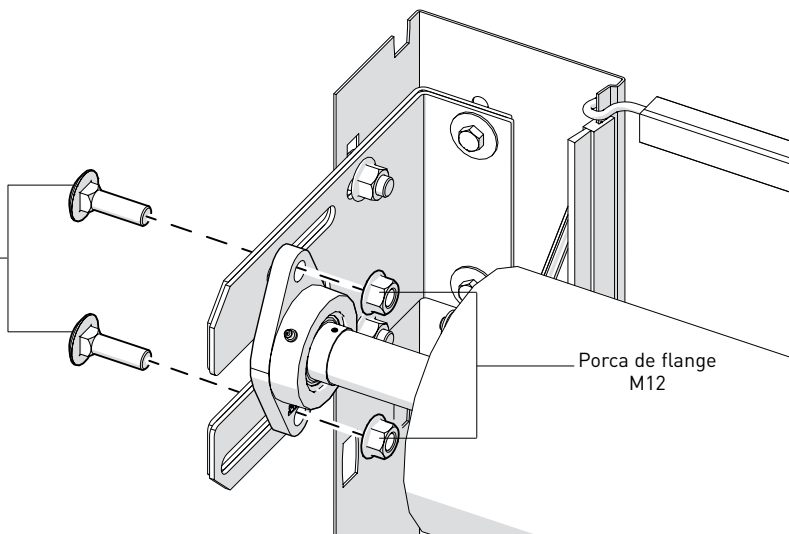
(Prime.)



Fixe os rolamentos de flange com Parafuso de trava quadrada e porcas autobranquantes. Verifique cuidadosamente se o rolo superior está nivelado.

4.11b

Parafuso de trava quadrada M12 X 25



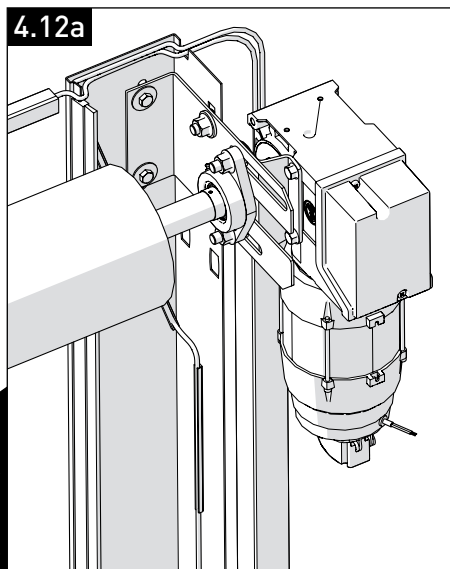
Porca de flange M12

[Strong]



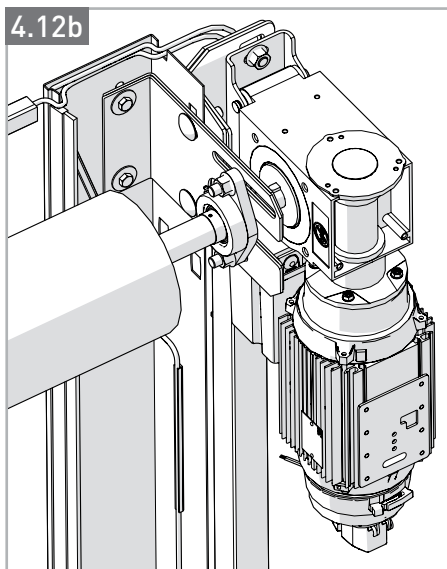
Fixe os rolamentos de flange com Parafuso de trava quadrada e porcas autobranquantes. Verifique cuidadosamente se o rolo superior está nivelado.

4.12a



[Prime.]

4.12b

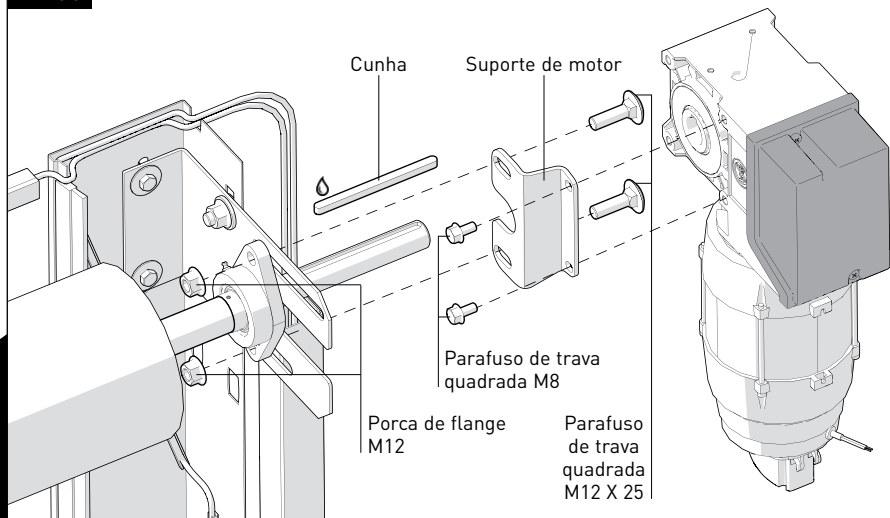


[Strong]



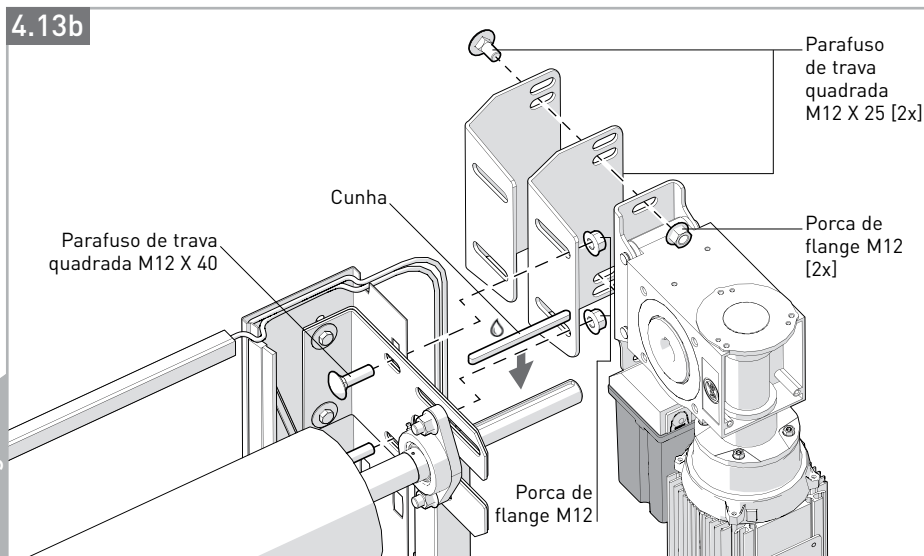
Veja a nota de entrega para o número de suportes do motor que se aplica.
Nota: Primeiro, monte os suportes do motor na coluna e, em seguida, na motor elétrico! Veja 4.13

4.13a



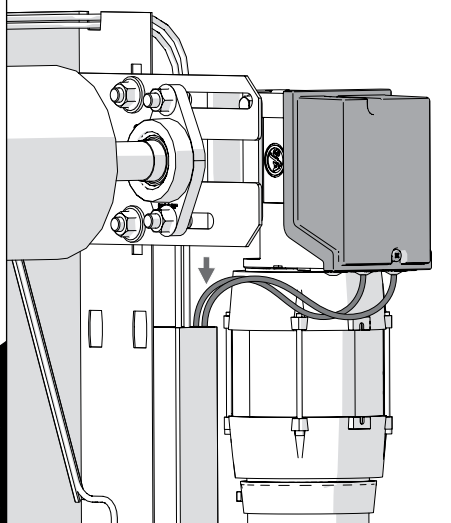
Conecte a chave plana ao eixo do motor. Monte o suporte de motor no suporte e no Rolamento de flange. Em seguida, monte a unidade no suporte de motor. Use Parafusos de trava quadrada M12 e porcas de flange. Adicione a graxa para deslizar a unidade mais facilmente no eixo do motor.

4.13b



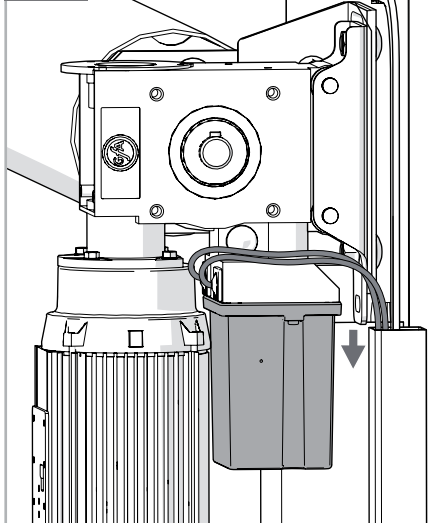
Conecte a chave plana ao eixo do motor. Monte o suporte de motor no suporte e no guia de parede. Em seguida, monte a unidade no suporte de motor. Use Parafusos de trava quadrada M12 e porcas de flange. Adicione a graxa para deslizar a unidade mais facilmente no eixo do motor.

4.14a



[Prime]

4.14b



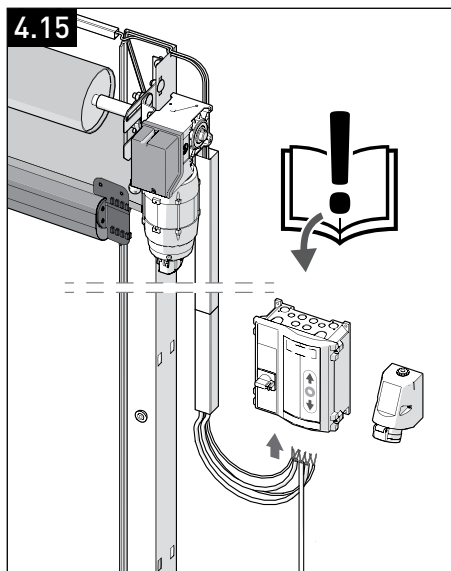
[Strong]

PT



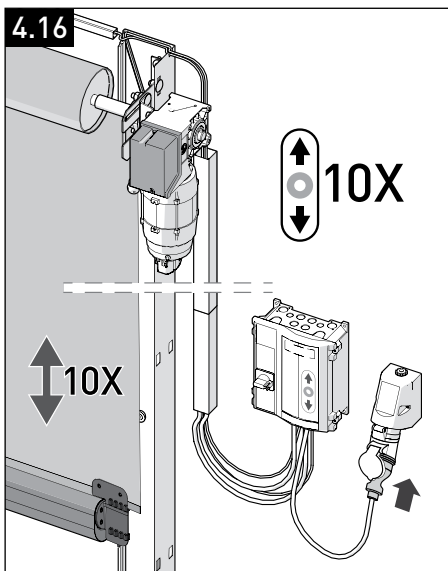
Alimente os cabos de motor para dentro do canal de fiação vertical em direção à caixa de controle.

4.15



Para a instalação do sistema operacional, consulte o manual fornecido com a caixa de controle. Para conectar a cortina de luz, veja o diagrama de fiação 4.17 na próxima página.

4.16



Esquema de fiação Cortina de luz Telco

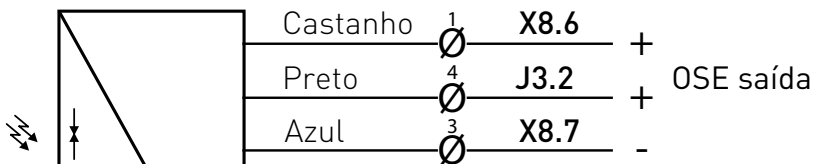
Conexões FONTE DE ENERGIA + Castanho
 FONTE DE ENERGIA - Azul
 SGR OSE Saída elétrica Preto

Consulte o manual do controlador para encontrar as configurações de parâmetros corretas.

T100 R



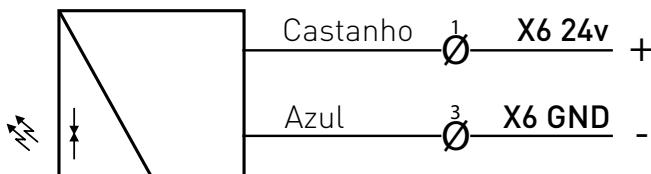
SGT 15 OSE



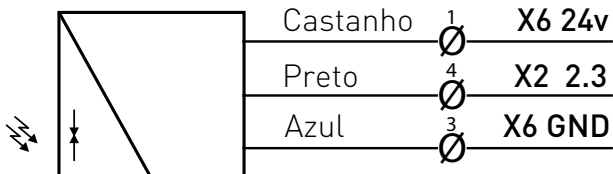
SGR 15 OSE

OSE saída

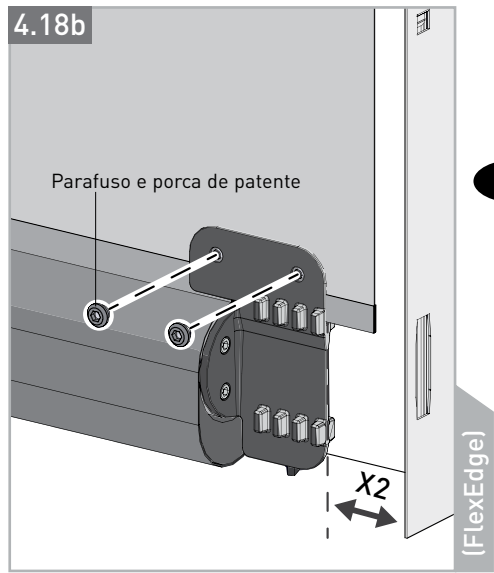
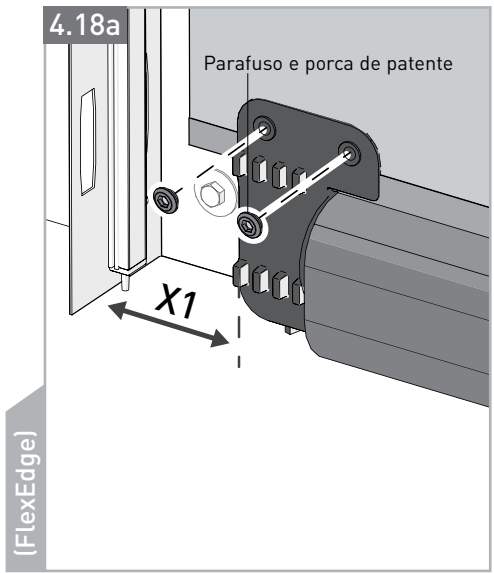
TS971



SGT 15 OSE

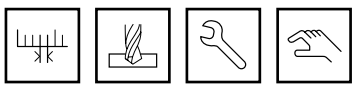


SGR 15 OSE

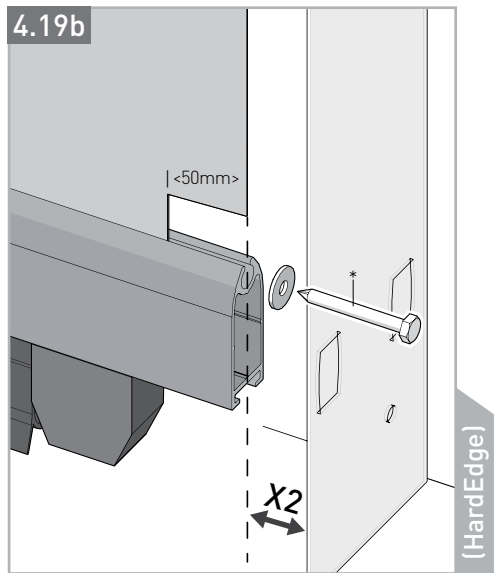
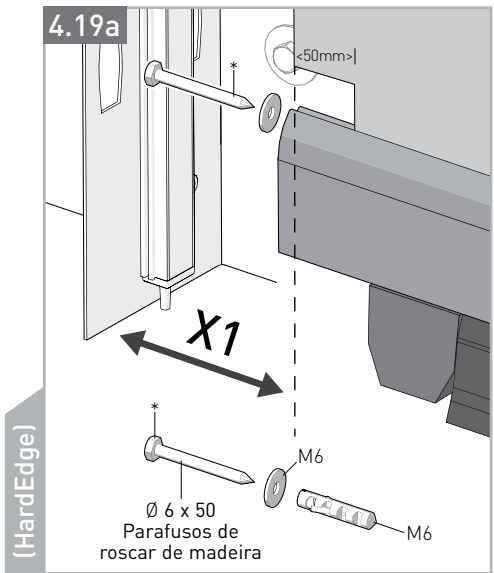


(FlexEdge)

(FlexEdge)



Centralizar a barra inferior **FlexEdge**: $X1 = X2!$
 Fixação da barra inferior **FlexEdge** com parafusos e porca de patente fornecidos.



(HardEdge)

(HardEdge)

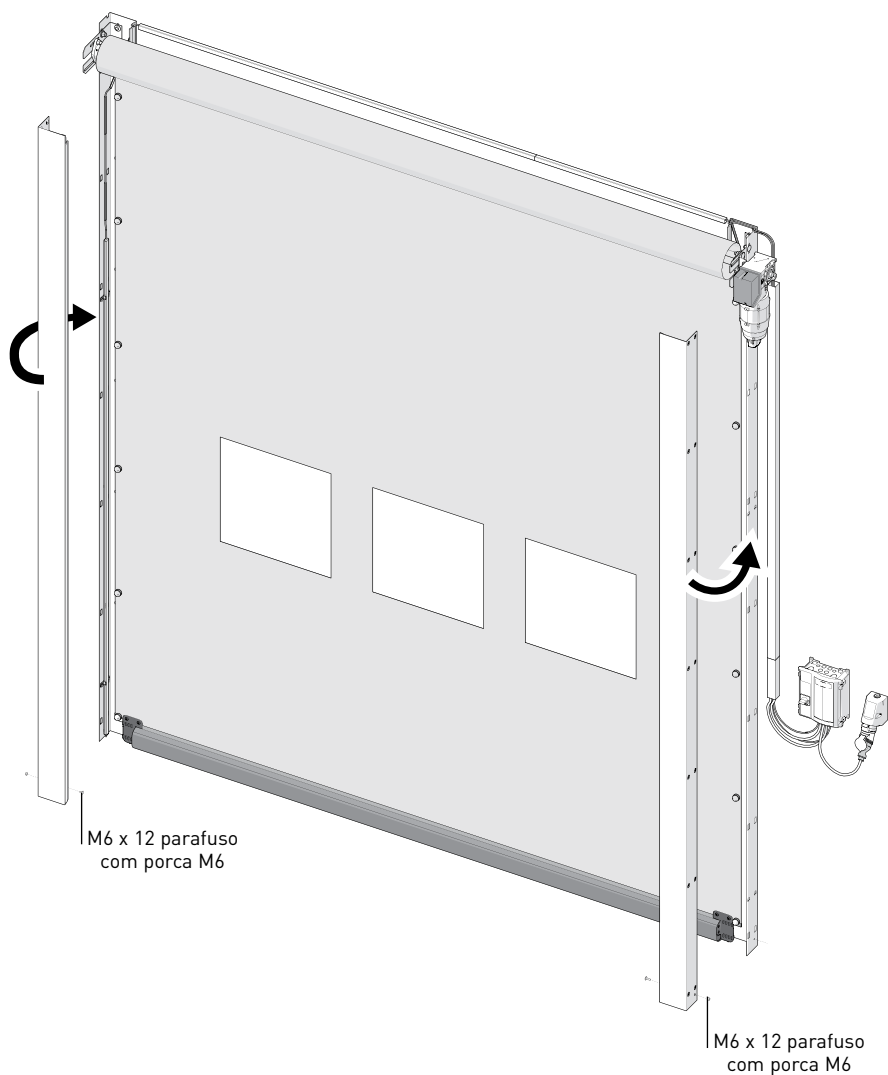


Centralizar a barra inferior **HardEdge**: $X1 = X2!$
 Fixação da barra inferior **HardEdge** com parafusos de rosca de madeira fornecidos.

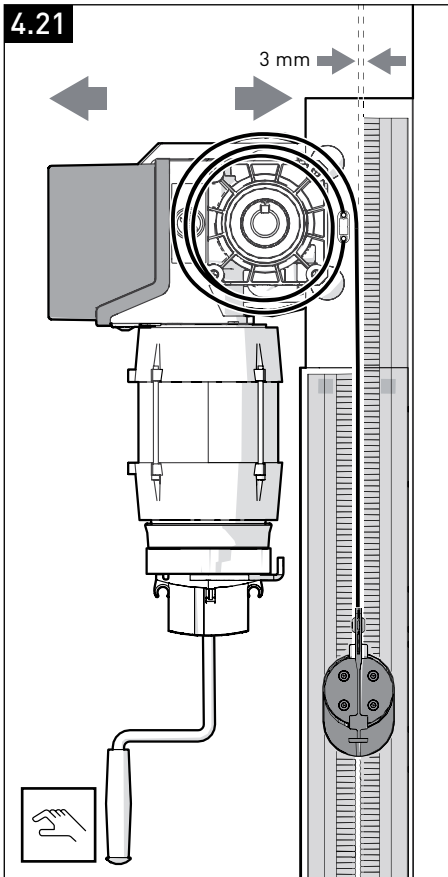
4.20

Instalação de capas de guias de parede

PT

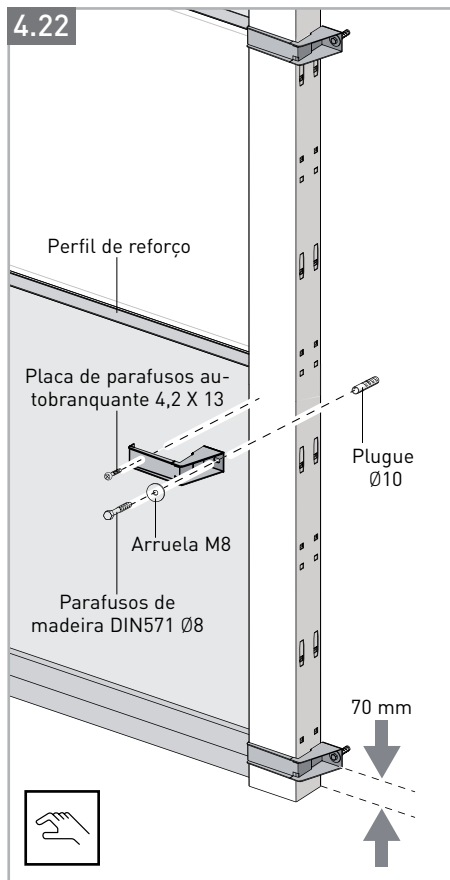


Pendurar as tampas sobre os guias de parede antes de fixar com parafusos M6 x 12, 50 mm acima do chão.



4.21

Rolar a folha da porta completamente. Alinhe o rolo superior com a unidade na direção horizontal, para que a parte mais larga do rolo superior seja 3 mm posterior à costura lateral.



4.22

Se a sua porta estiver equipada com suportes de reforço, aperte os perfis do reforço nas colunas e fixe-o com o hardware fornecido

(Opções)

Isso coloca um fim na parte mecânica da instalação. Consulte o manual apropriado para instalar o sistema de controle. O sistema de controle pode ser fornecido com um interruptor Magnético ou com um controlador de frequência. Certifique-se de que está usando o manual correto.

Copyright



English

All rights reserved. Nothing in this publication may be reproduced and/or published by means of printing, photocopy, microfilm or any other means without the prior written permission of the supplier. This also applies for the associated drawings and diagrams.

The supplier reserves the right to change components at any time, without prior or direct announcement to the customer. The contents of this publication can also be changed without prior warning.

For information concerning adjustments, maintenance activities or repairs not covered by this publication, you are requested to contact your supplier.

This publication has been prepared with the greatest possible care, but the supplier can accept no responsibility for any errors in this publication or the results thereof.

Español

Reservados todos los derechos. Ninguna parte de esta publicación podrá reproducirse ni publicarse mediante imprenta, fotocopia, microfilme o cualquier otro medio, sin previa autorización por escrito del proveedor. Esta restricción también es válida para los planos y esquemas correspondientes.

El proveedor se reserva el derecho de modificar componentes en cualquier momento, sin notificación previa o directa al cliente. También el contenido de esta publicación puede modificarse sin aviso previo.

Si desea más información acerca de los ajustes y trabajos de mantenimiento y reparación que no se indiquen en esta publicación, le rogamos se ponga en contacto con su proveedor.

Aunque en la elaboración de la presente publicación se ha puesto la máxima atención, el proveedor no podrá aceptar ninguna responsabilidad por los posibles errores en la misma ni por sus consecuencias.

Português

Reservados todos os direitos. Esta publicação não pode ser reproduzida ou transmitida, no todo ou em parte, por qualquer processo, incluindo imprensa, fotocópia, microfilme ou outros, sem autorização prévia e escrita do fornecedor. Isto inclui os desenhos e esquemas que fazem parte desta publicação.

O fornecedor reserve o direito de modificar as peças a qualquer altura, sem aviso prévio nem aviso imediato ao comprador. O conteúdo desta publicação é também sujeito a modificações sem aviso prévio.

Para informação sobre ajustamentos, trabalhos de manutenção ou reparos que não são incluídos nesta publicação, pedimos-lhe que contacte o seu fornecedor.

Embora esta publicação foi compilada com o maior cuidado, o fornecedor não pode assumir responsabilidade nenhuma para erros eventuais nela ou para as consequências destes erros.



NOVOFERM NEDERLAND B.V.

Tel.: +31 (0)418 654 700

E-Mail: industrie@novoferm.nl

www.novoferm.nl

