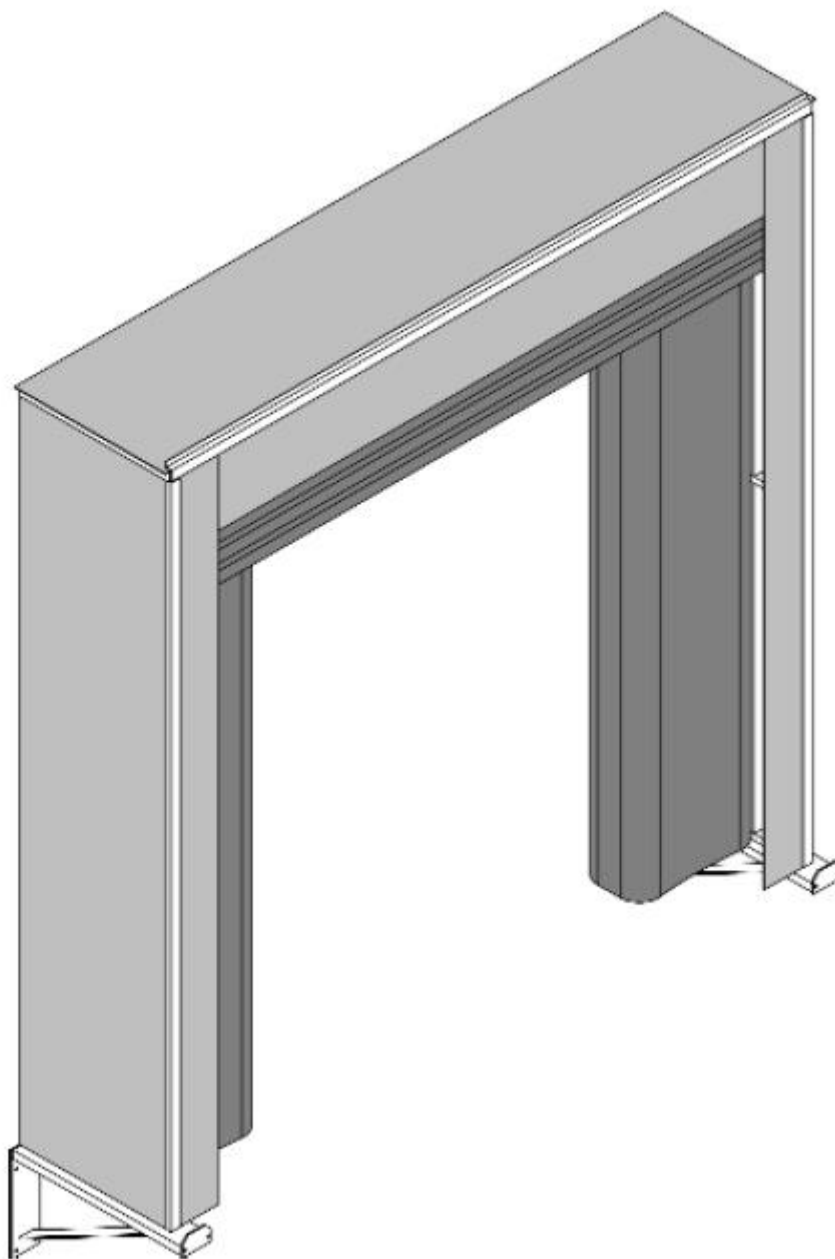


NovoSeal S620

Montageanleitung

Installation manual



Contents	Page
1. Introduction	2
2. Symbols	2
3. Operating	3
..... 3.1 Safety	3
..... 3.2 Start position	3
..... 3.3 Stop position	3
3.4 Unsave entrance vehicle	4
3.5 Save entrance vehicle	5
4. Installation instructions	6
..... 4.1 Preparing	6
..... 4.2 Measuring installation instruction	7
..... 4.3 Installing the dock shelter frames	8
..... 4.4 Installing the curtains	9
..... 4.5 Positioning the dock shelter	10
..... 4.6 Installing the dock shelter	11
..... 4.7 Installing the air cushion	12
..... 4.8 Installing the steel weight	13
5. Exploded view	14
5.1 Part list	15
6. Safety measures	16
7. Wiring diagram	17

1. Introduction

The operated dock shelter NovoSeal S620 is be designed and constructed with regard of the opening and closing in buildings during the loading and unloading process. The NovoSeal S620 dock shelters are operated manually, due activating a push button on the operating panel. The frame of the dock shelter leveller is produced from sendzimir galvanized profile. The side and top plates are coated with plastisol.

2. Symbols



Warning
Possible physical injury or damage to the unit



Warning
Safety precautions

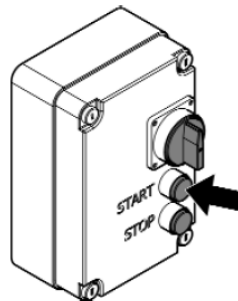
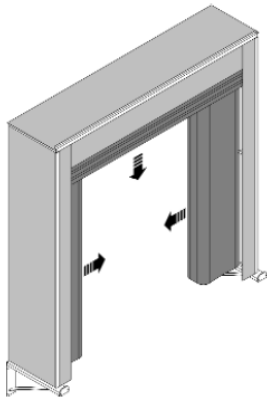
3. Operating

3.1 Safety

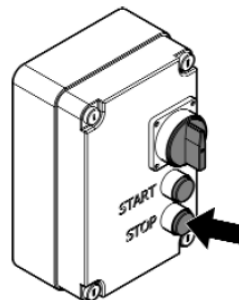
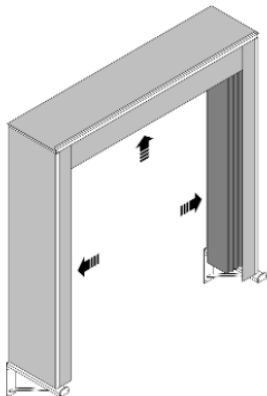


- During the operation of the dock shelter, the surroundings are to be observed.
- One is not to insert any objects between, underneath or into the dock shelter or any moving parts of the dock shelter.
- Each person is to ensure a certain distance during the movement of the surface of the dock shelter.
- The direction of movement of the surface of the dock shelter should not be blocked in order to ensure free movement.
- DSG systems cannot be held liable for any handling or works, which have been performed by a non-authorized, non-qualified user, operator or technician.

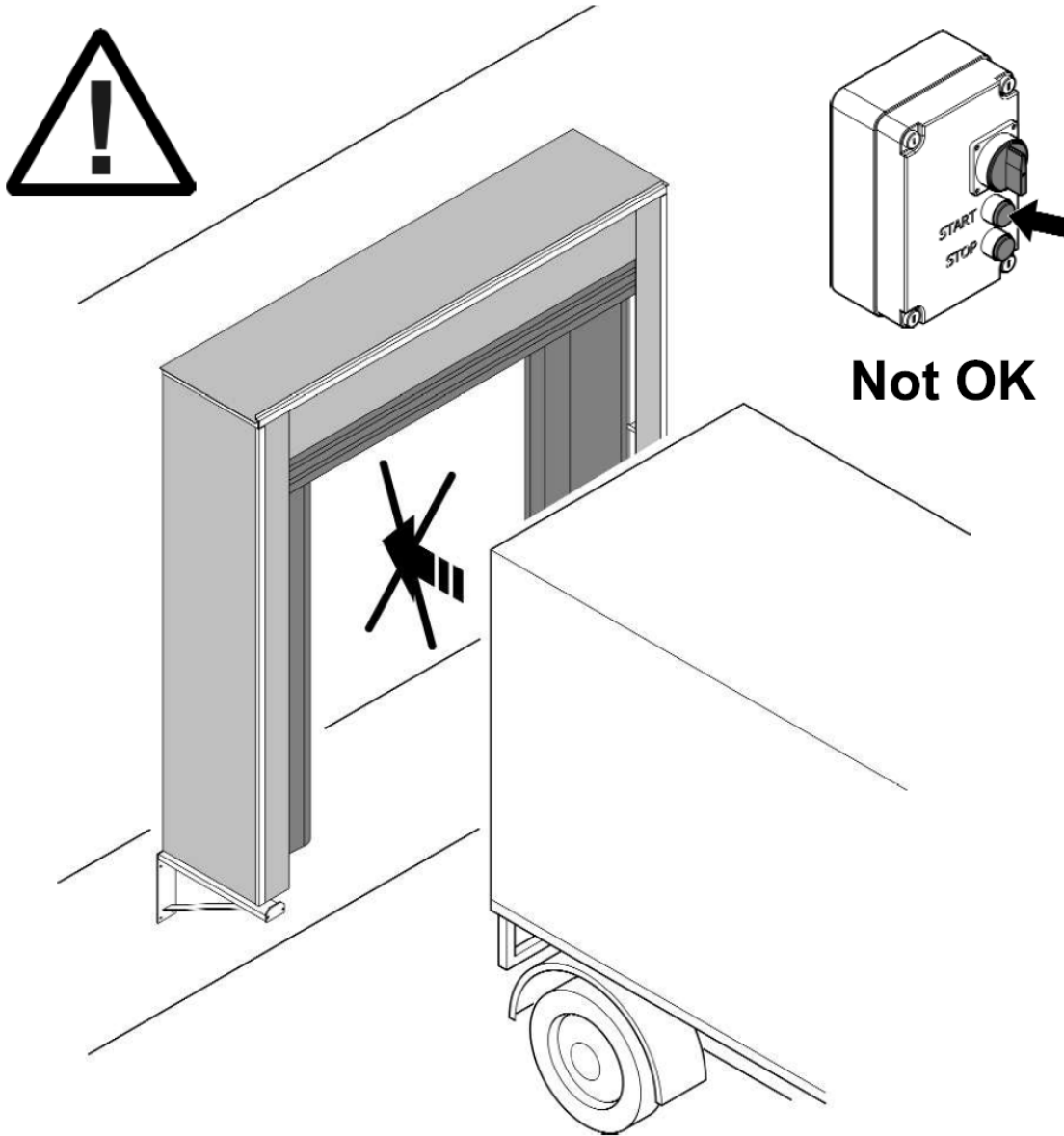
3.2 Start position



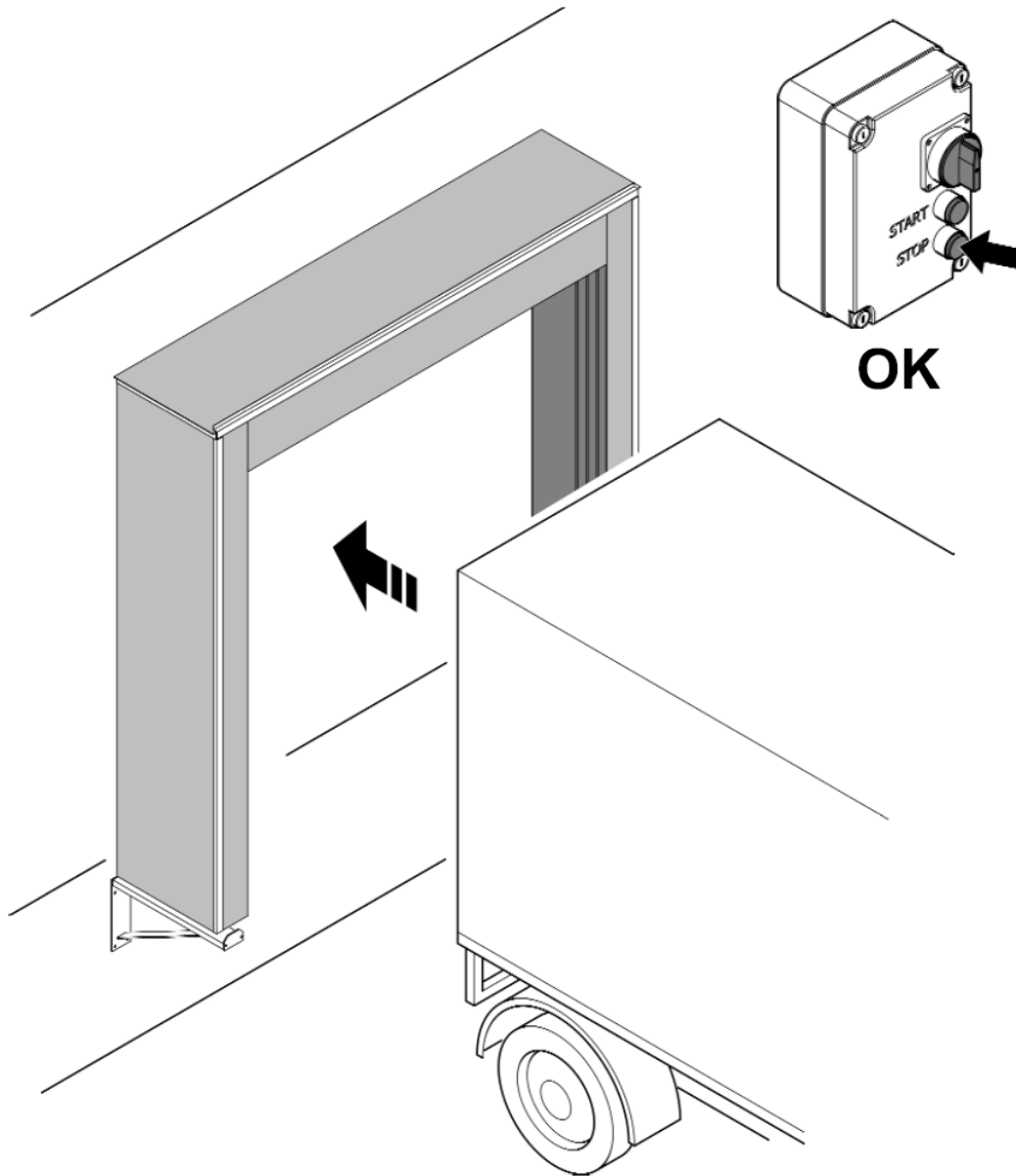
3.3 Stop position



3.4 Unsafe entrance vehicle

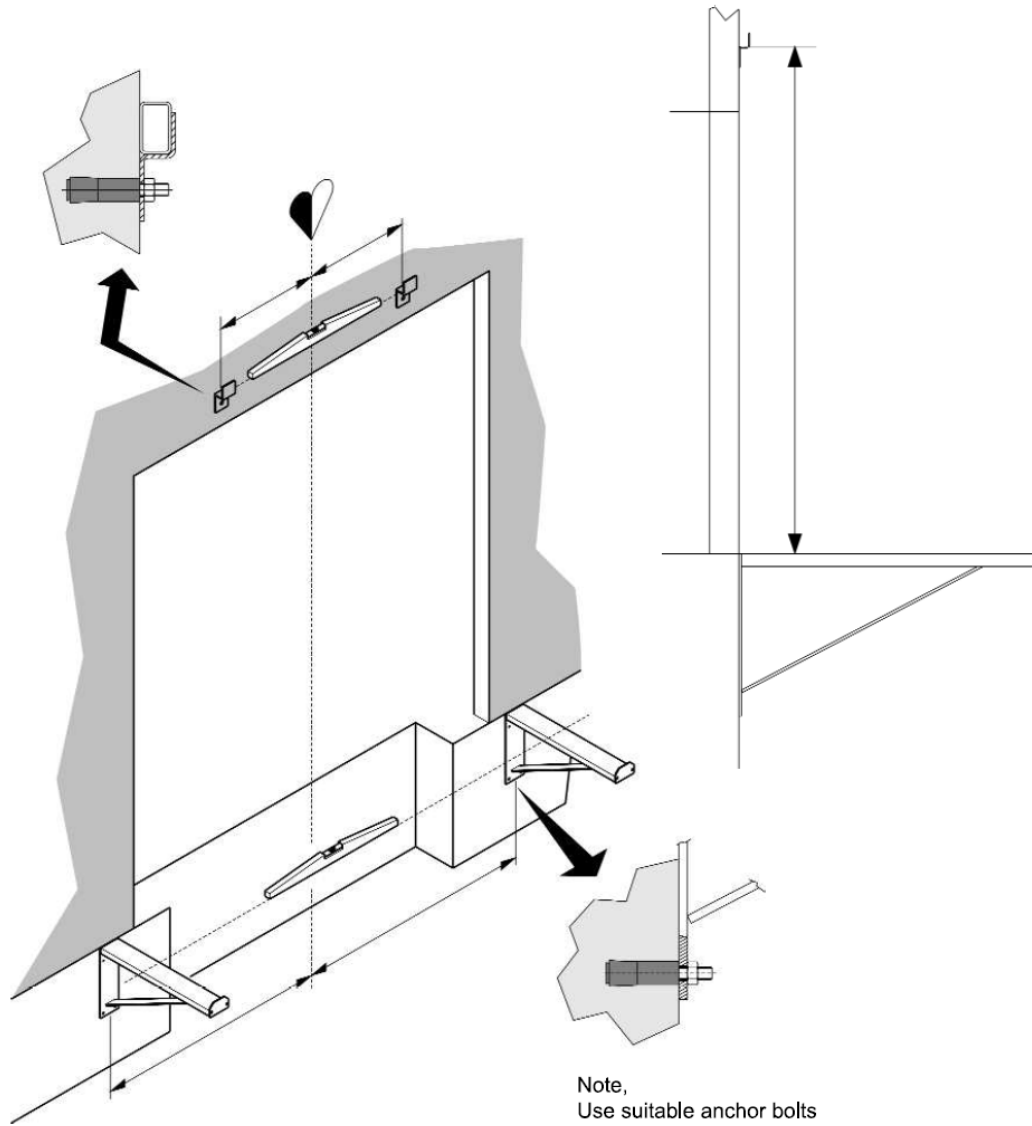


3.5 Save entrance vehicle

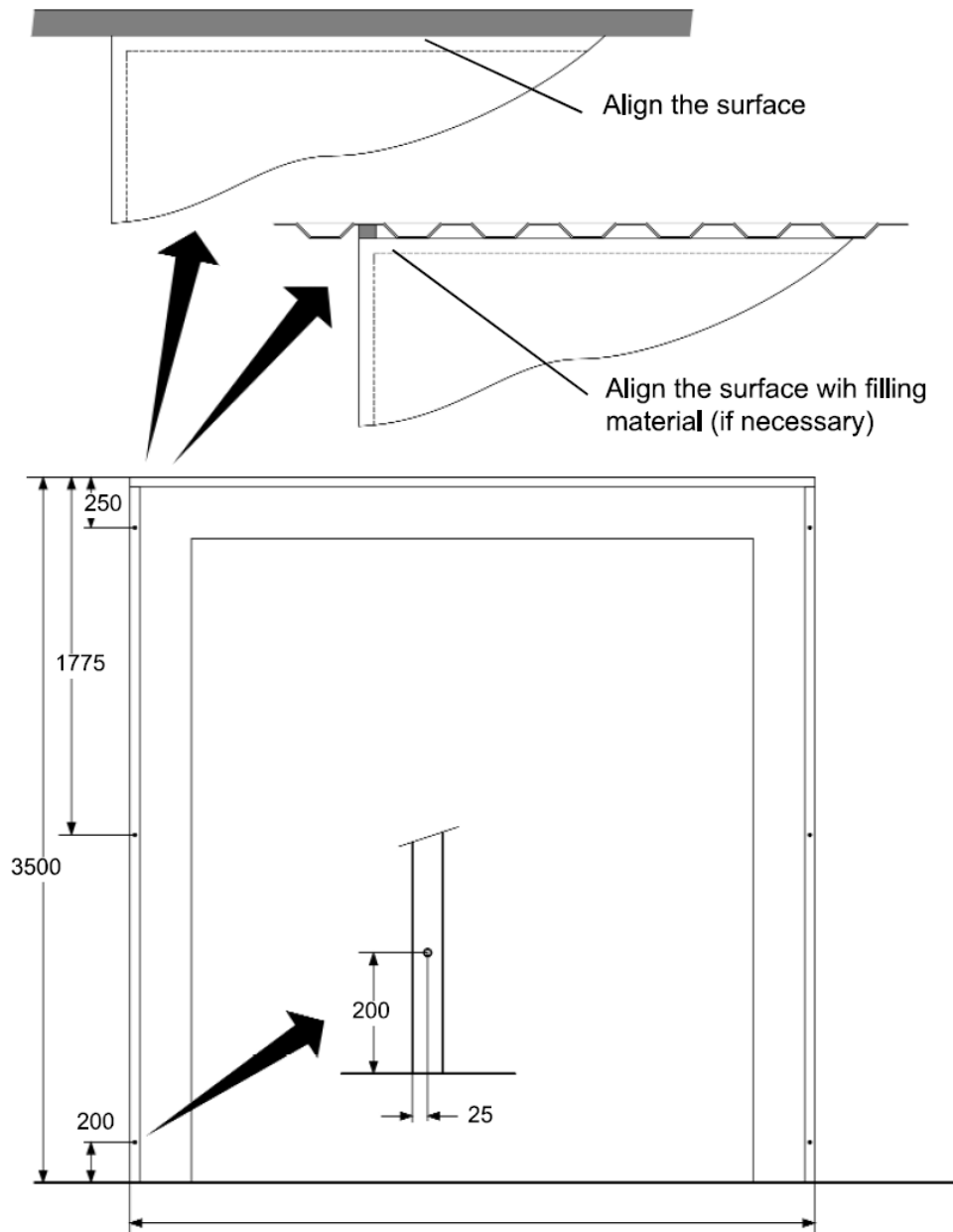


4. Installation instructions

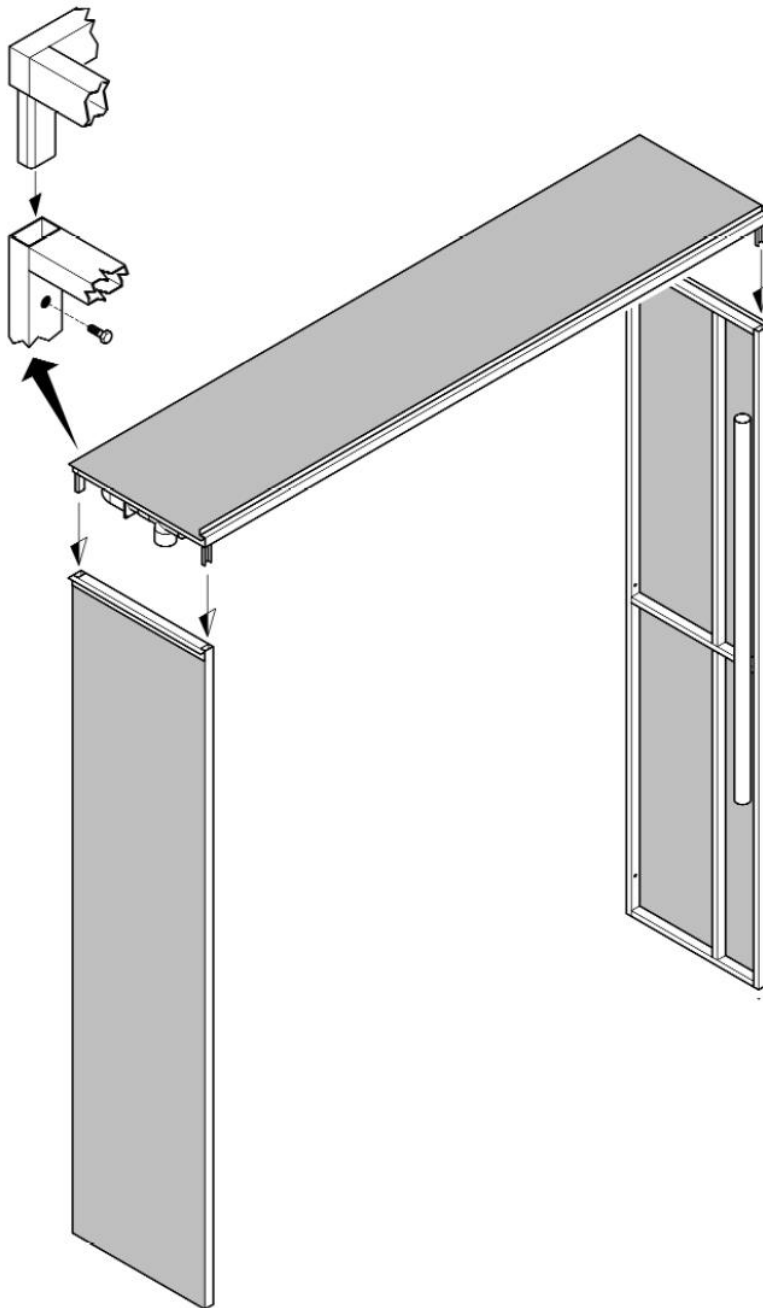
4.1 Preparing



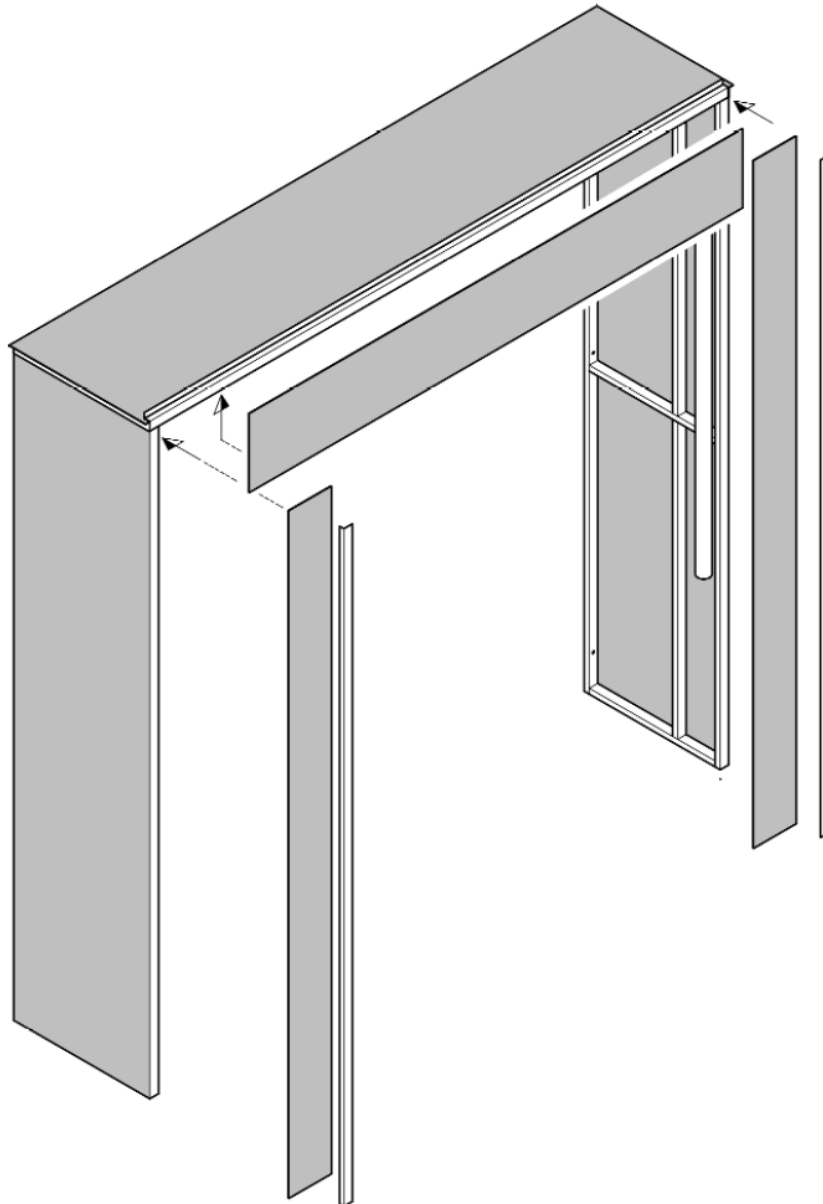
4.2 Measuring installation instructions



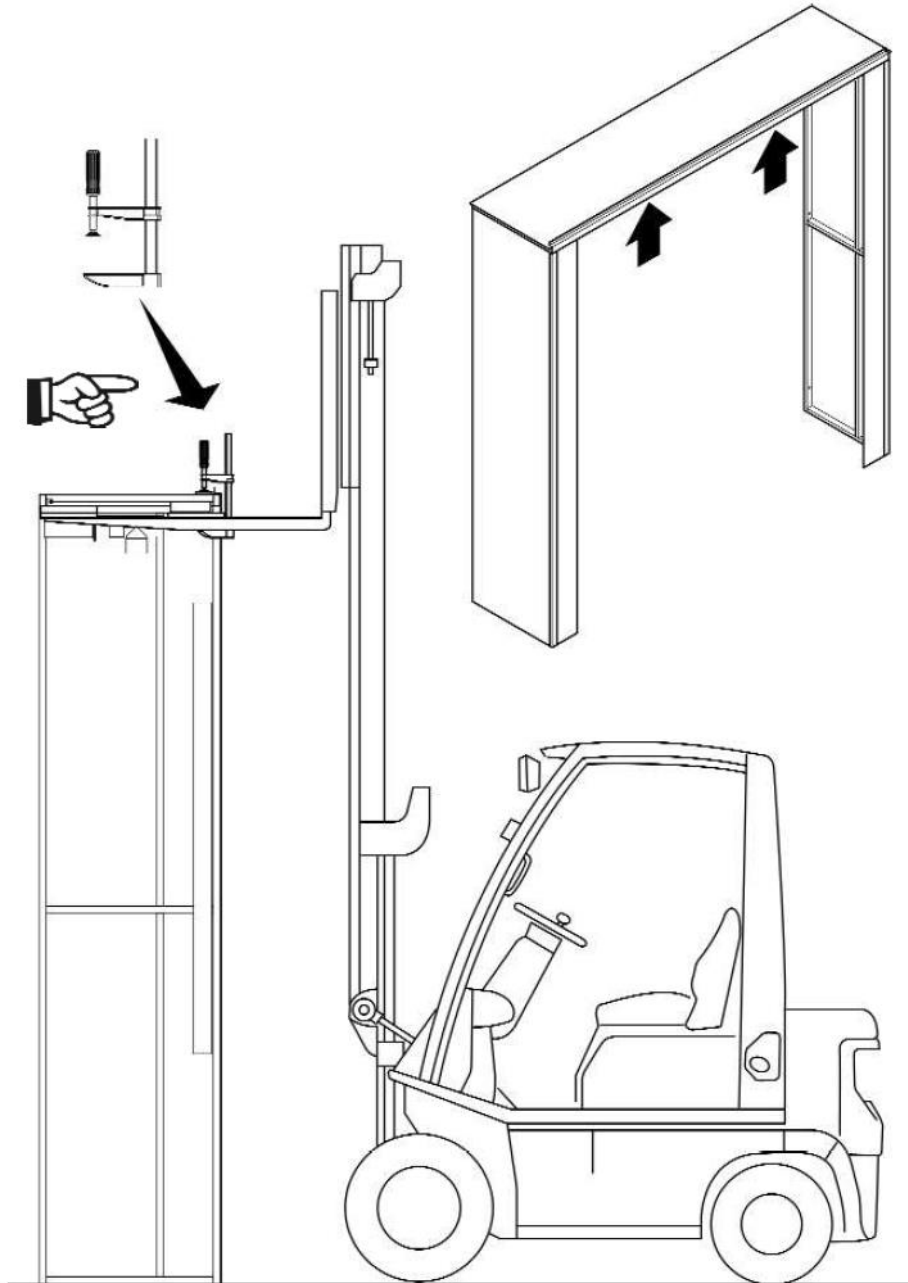
4.3 Installing the dock shelter frames



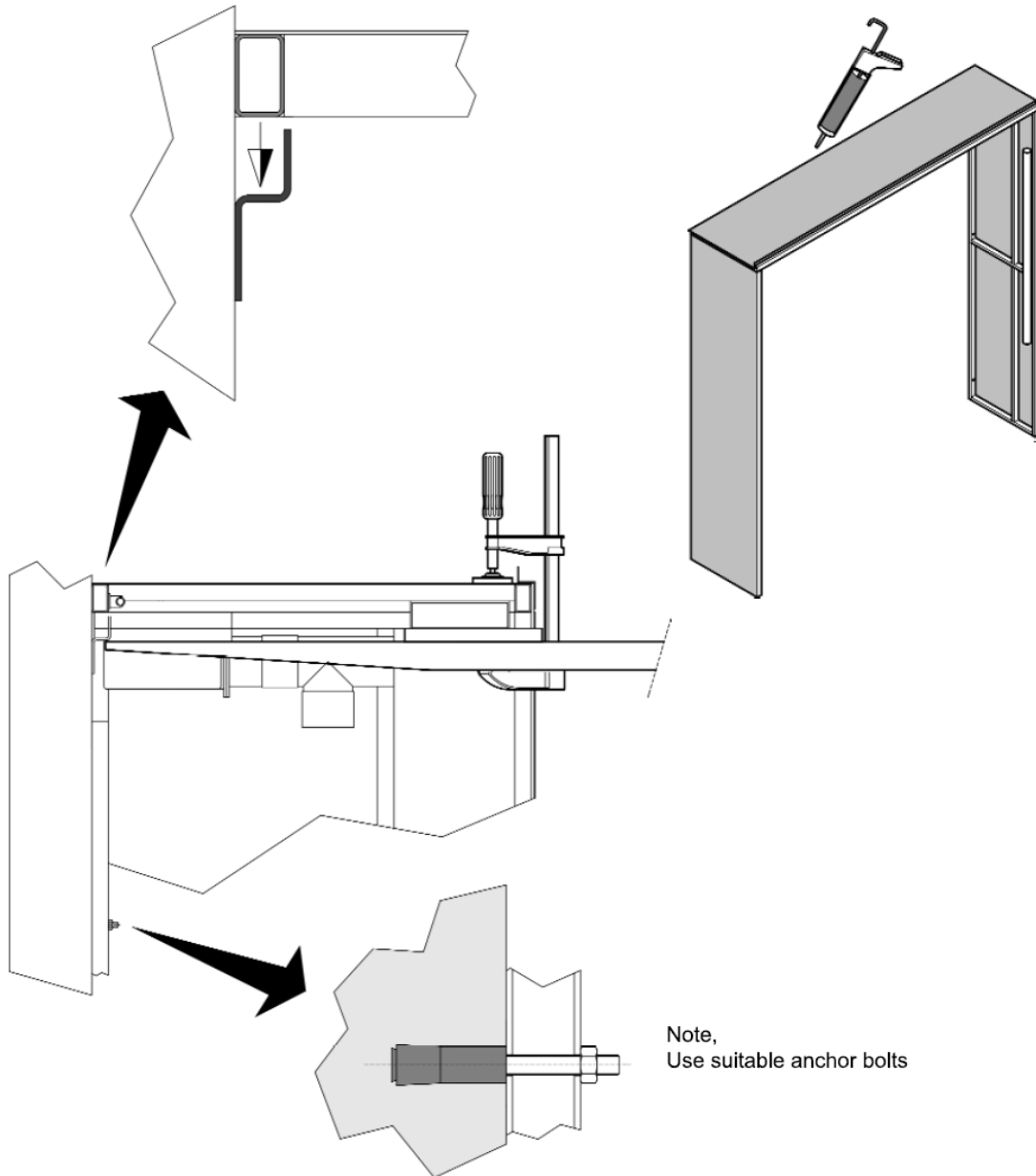
4.4 Installing the curtains



4.5 Positioning the dock shelter

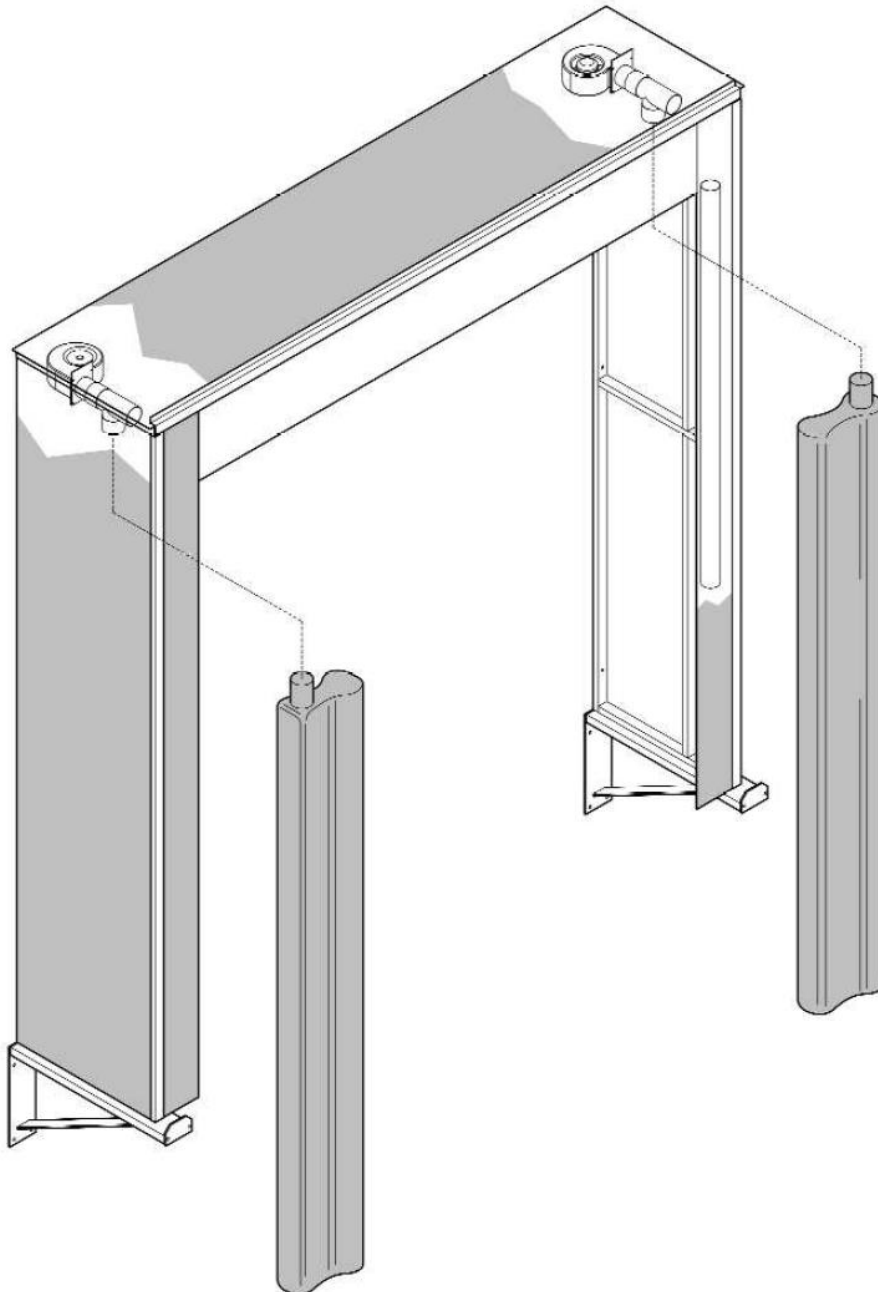


4.6 Installing the dock shelter

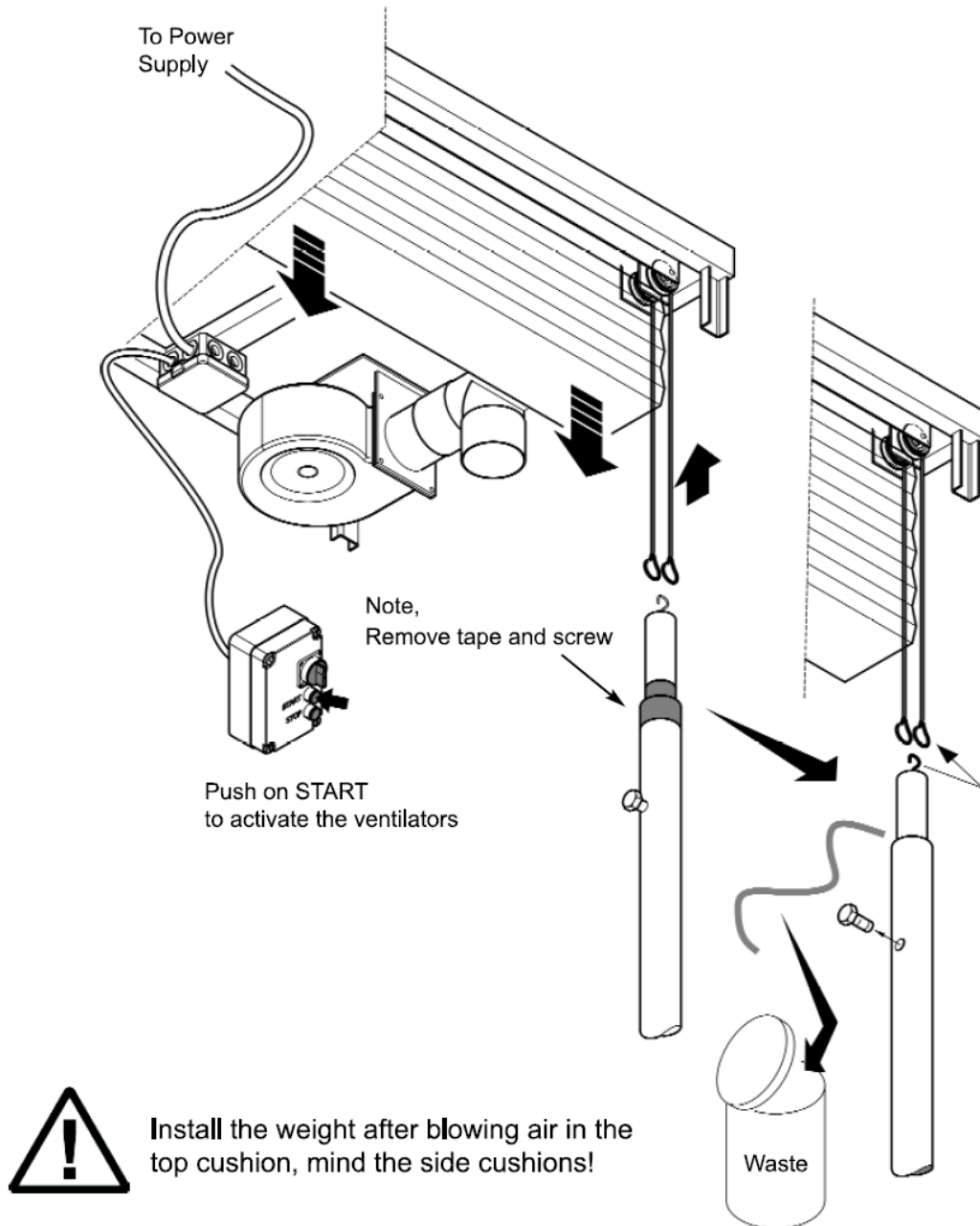


Note,
Use suitable anchor bolts

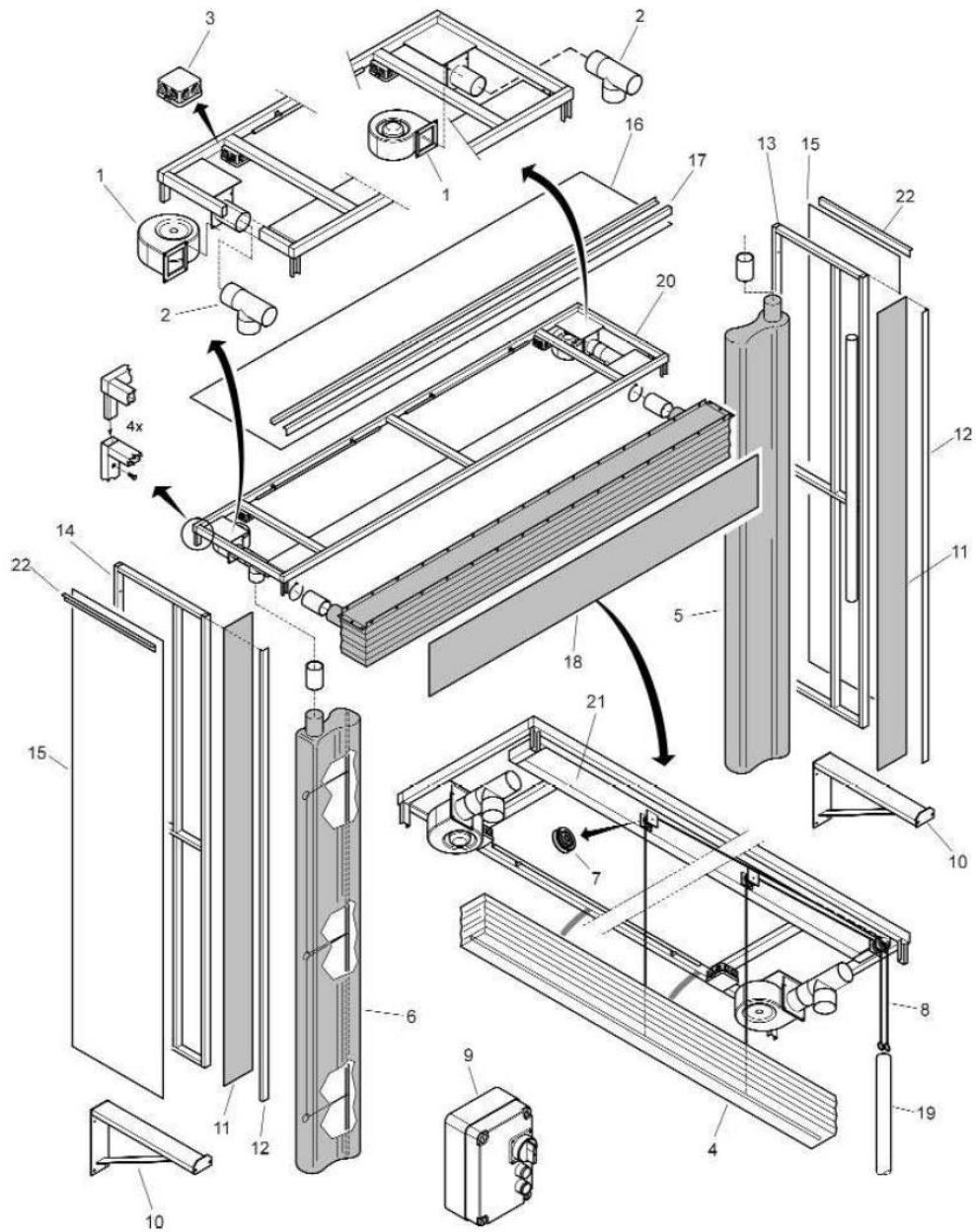
4.7 Installing the air cushion



4.8 Installing the steel weight



5. Exploded view



5.1 Parts list

Pos.	Description	Part number	Quantity
1	Ventilator	600.001	2x
2	Tee-piece	600.002	2x
3	Junction box	600.003	2x
4	Upper air cushion	600.004	1x
5	Air cushion RH	600.005	1x
6	Air cushion LH	600.006	1x
7	Cable disc	600.007	4x
8	Cable	600.008	2x
9	Control panel	600.009	1x
10	Console	600.010	2x
11	Curtain	600.011	2x
12	Alu profil	600.012	2x
13	Side frame RH	600.013	1x
14	Side frame LH	600.014	1x
15	Side panel	600.015	2x
16	Roof panel	600.016	1x
17	Alu roof profil	600.017	1x
18	Curtain	600.018	1x
19	Steel weight	600.019	1x
20	Roof frame	600.020	1x
21	Air distribution frame	600.021	1x

6. Safety measures



To ensure a correct and safe installation of the dock shelter please take the following measures:

- Always follow the applicable safety guidelines.
- Only use approved tools.
- Please follow the installation steps in the sequence as they are mentioned in the installation drawings.
- When replacing damaged parts only use original parts. Otherwise the correct function of the dock shelter cannot be guaranteed.

7. Wiring diagram

